

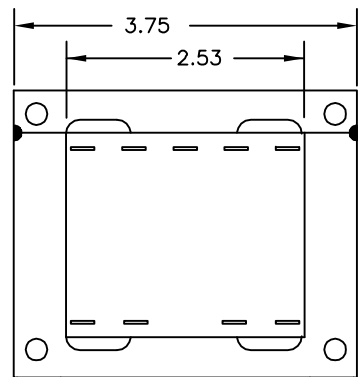
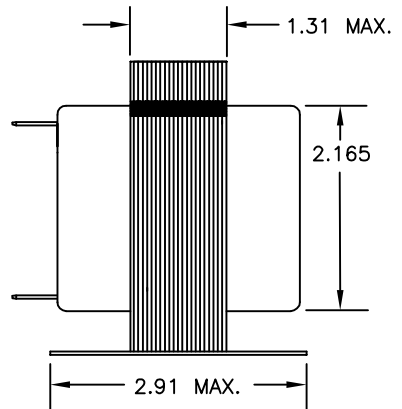
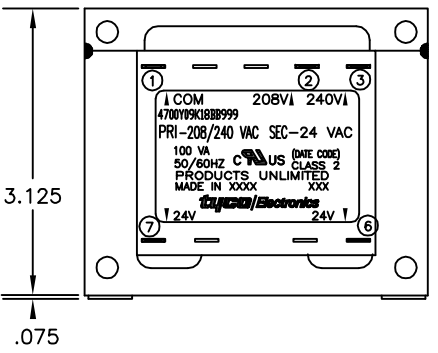
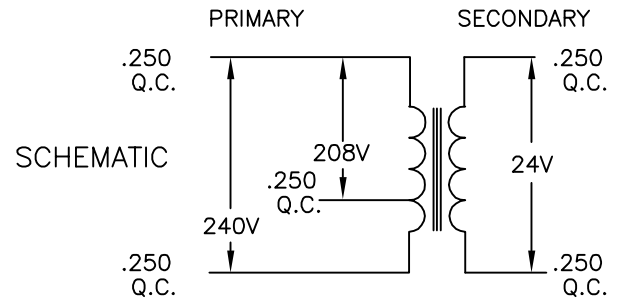
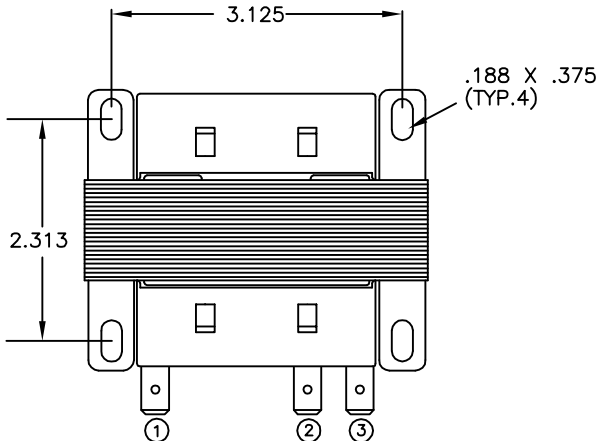
ALL LEADS 18AWG—UNLESS OTHERWISE SPECIFIED

| TERMINAL NO. | 1 | 2 | 3 | 4 | 5 |
|--------------------|------|------|------|---|---|
| VOLTAGE | COM | 208 | 240 | | |
| TERMINAL WIDTH | .250 | .250 | .250 | | |
| TERMINAL THICKNESS | .032 | .032 | .032 | | |

- NOTES
1. DIMENSIONS FOR REFERENCE ONLY.
 2. ALL LEADS +1"/-0" TOL.
 3. STRIP TOL. ±1/32
 4. WINDING PROTECTION—NONE

CERTIFICATION: UL FILE NO. E102980

| SECONDARY | | | | | |
|--------------------|------|------|---|---|--|
| TERMINAL NO. | 6 | 7 | 8 | 9 | |
| VOLTAGE | 24 | VAC | | | |
| TERMINAL WIDTH | .250 | .250 | | | |
| TERMINAL THICKNESS | .032 | .032 | | | |



CUST. NO. — TYCO PART NUMBER 4-1611471-7

| | | | |
|--|--|----------------------|--|
| THIS DRAWING IS A CONTROLLED DOCUMENT. | | DWN M.DAVIS 03FEB04 | Tyco Electronics Corporation Harrisburg, Pa 17105-3608 |
| | | CHK W.SORAH 03FEB04 | |
| | | APVD W.SORAH 03FEB04 | NAME TRANSFORMER OUTLINE |
| | | PRODUCT SPEC | |
| | | APPLICATION SPEC | SIZE A3 CAGE CODE 00779 DRAWING NO C=4700Y09K18BB999 RESTRICTED TO — |
| | | WEIGHT — | |
| MATERIAL — | | CUSTOMER DRAWING | SCALE NTS SHEET 1 OF 1 REV 0 |

| DIMENSIONS: | TOLERANCES UNLESS OTHERWISE SPECIFIED: |
|-------------|--|
| INCHES | |
| 0 PLC | ± . |
| 1 PLC | ± . |
| 2 PLC | ± . |
| 3 PLC | ± . |
| 4 PLC | ± . |
| ANGLES | ± 1° |

