

THIS DRAWING IS UNPUBLISHED. RELEASED FOR PUBLICATION
 © COPYRIGHT BY TYCO ELECTRONICS CORPORATION. ALL RIGHTS RESERVED.

LOC	DIST	REVISIONS		
GZ	00	P	LTR	DESCRIPTION
		A		NEW FORMAT & EC0720-0161-04
			DATE	DWN
			11MAR04	MD
			APVD	KH

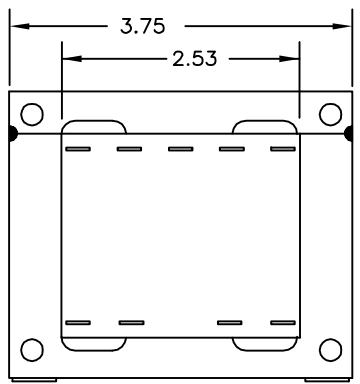
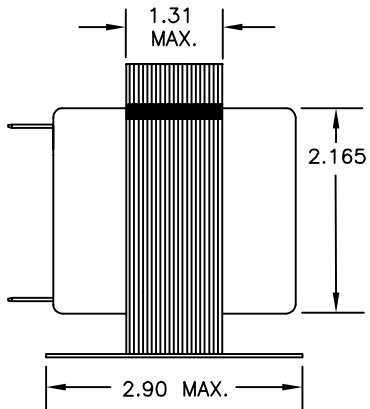
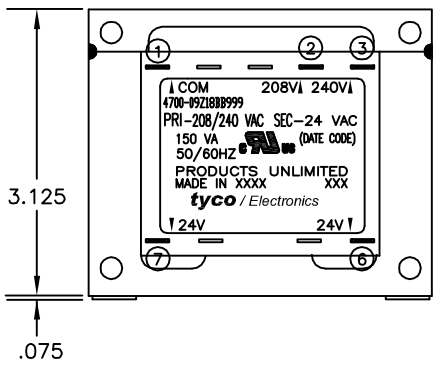
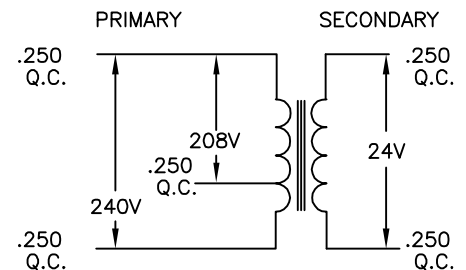
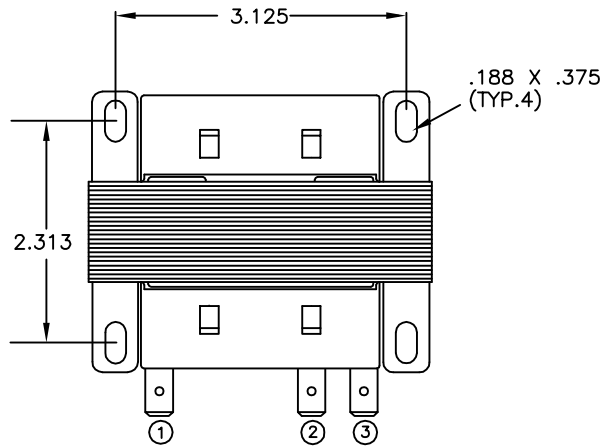
ALL LEADS 18AWG—UNLESS OTHERWISE SPECIFIED

PRIMARY					
TERMINAL NO.	1	2	3	4	5
VOLTAGE	COM	208	240		
TERMINAL WIDTH	.250	.250	.250		
TERMINAL THICKNESS	.032	.032	.032		

- NOTES
- DIMENSIONS FOR REFERENCE ONLY.
 - ALL LEADS +1"/-0" TOL.
 - STRIP TOL. ±1/32
 - WINDING PROTECTION—NONE

CERTIFICATION:
UL & CUL FILE NO. E102980

SECONDARY				
TERMINAL NO.	6	7	8	9
VOLTAGE	24	VAC		
TERMINAL WIDTH	.250	.250		
TERMINAL THICKNESS	.032	.032		



THIS DRAWING IS A CONTROLLED DOCUMENT.

DIMENSIONS:	TOLERANCES UNLESS OTHERWISE SPECIFIED:
INCHES	
0 PLC	± .
1 PLC	± .
2 PLC	± .
3 PLC	± .
4 PLC	± .
ANGLES	± .

MATERIAL	FINISH
-	-

DWN	M.DAVIS	11MAR04
CHK	K.HOLSCHUH	11MAR04
APVD	K.HOLSCHUH	11MAR04
PRODUCT SPEC	-	-
APPLICATION SPEC	-	-
WEIGHT	-	-

CUST. NO.	TYCO PART NUMBER
-	1611476-8
Tyco Electronics Corporation Harrisburg, Pa 17105-3608	
NAME	
TRANSFORMER OUTLINE	
SIZE	CAGE CODE
A3	00779
DRAWING NO	RESTRICTED TO
C=4700-09218BB999	-
CUSTOMER DRAWING	SCALE
NTS	SHEET 1 OF 1
REV	A