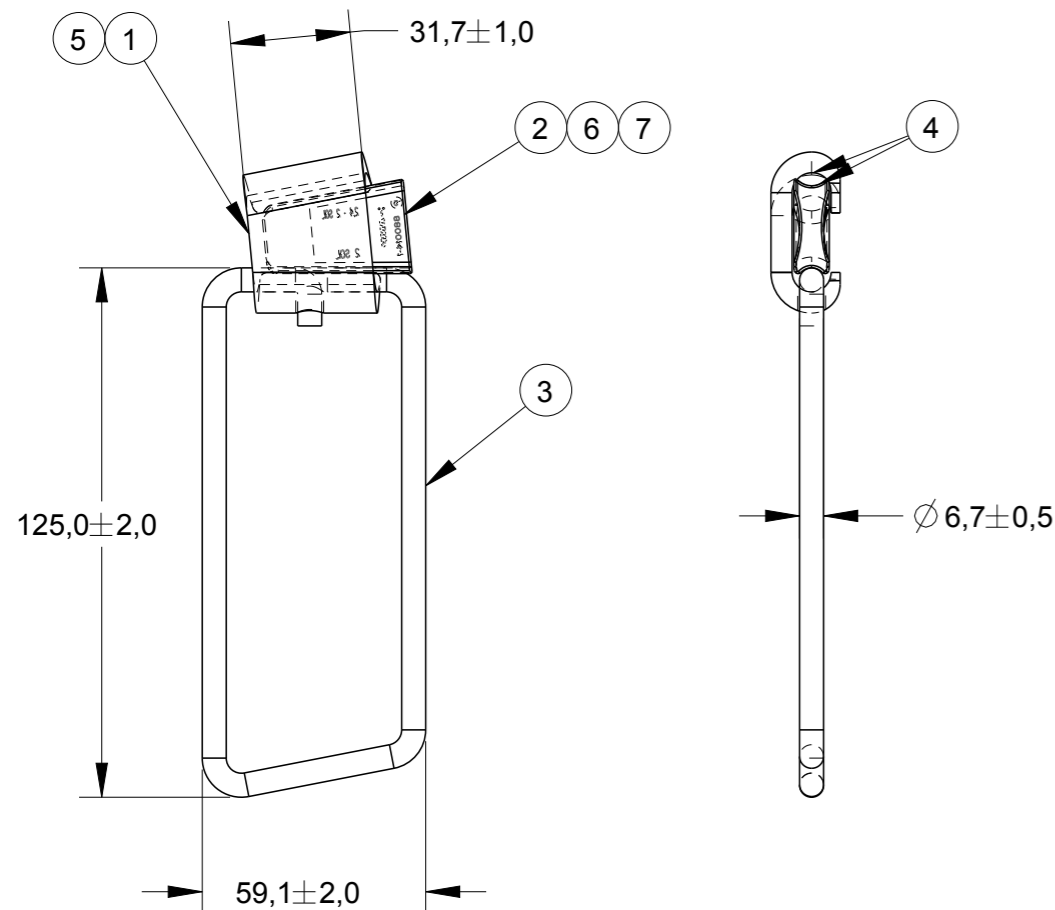




DO NOT REVISE EXCEPT BY CAD

REVISIONS

P	LTR	DESCRIPTION	DATE	DWN	APVD
	F	REVISED BY ECO-16-001962	12FEB2016	VF	SP



1 - SUPPLIED IN INDIVIDUAL PLASTIC PACKAGING.

1 - FORNECIDO EM EMBALAGEM PLÁSTICA INDIVIDUAL.

INACTIVE
INACTIVE

REV.F	REV.F	REV.D	REV.D	ITEM	DESCRIPTION	MATERIAL	FINISH
				7	AMPACT WEDGE MEMBER	ALUMINUM ALLOY	UNPLATED
				6	AMPACT WEDGE MEMBER	ALUMINUM ALLOY	UNPLATED
				5	AMPACT "C" MEMBER	ALUMINUM ALLOY	UNPLATED
				4	SYNTHECTIC INHIBITOR	—	—
				3	STIRRUP SMALL	COPPER	TIN PLATED
				2	U.D.C. WEDGE MEMBER	COPPER ALLOY	TIN PLATED
				1	U.D.C."C" MEMBER FOR STIRRUP	COPPER ALLOY	TIN PLATED
REQ.PER ASSY							
-4	-3	-2	-1				

THIS DRAWING IS A CONTROLLED DOCUMENT.

DWN W.BELLINI 24OCT96

CHK J.A.LA SALVIA -

APVD J.ROOSDORP -

PRODUCT SPEC -

APPLICATION SPEC -

WEIGHT -

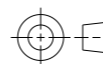


NAME AMPACT FOR STIRRUP ASS'Y

SIZE A3 CAGE CODE - DRAWING NO C-444752 RESTRICTED TO -

DIMENSIONS:

mm



TOLERANCES UNLESS OTHERWISE SPECIFIED:

0 PLC	±-
1 PLC	±-
2 PLC	±-
3 PLC	±-
4 PLC	±-
ANGLES	±

MATERIAL SEE TABLE

FINISH SEE TABLE

CUSTOMER DRAWING

SCALE 1:2

SHEET 1 OF 1

REV F