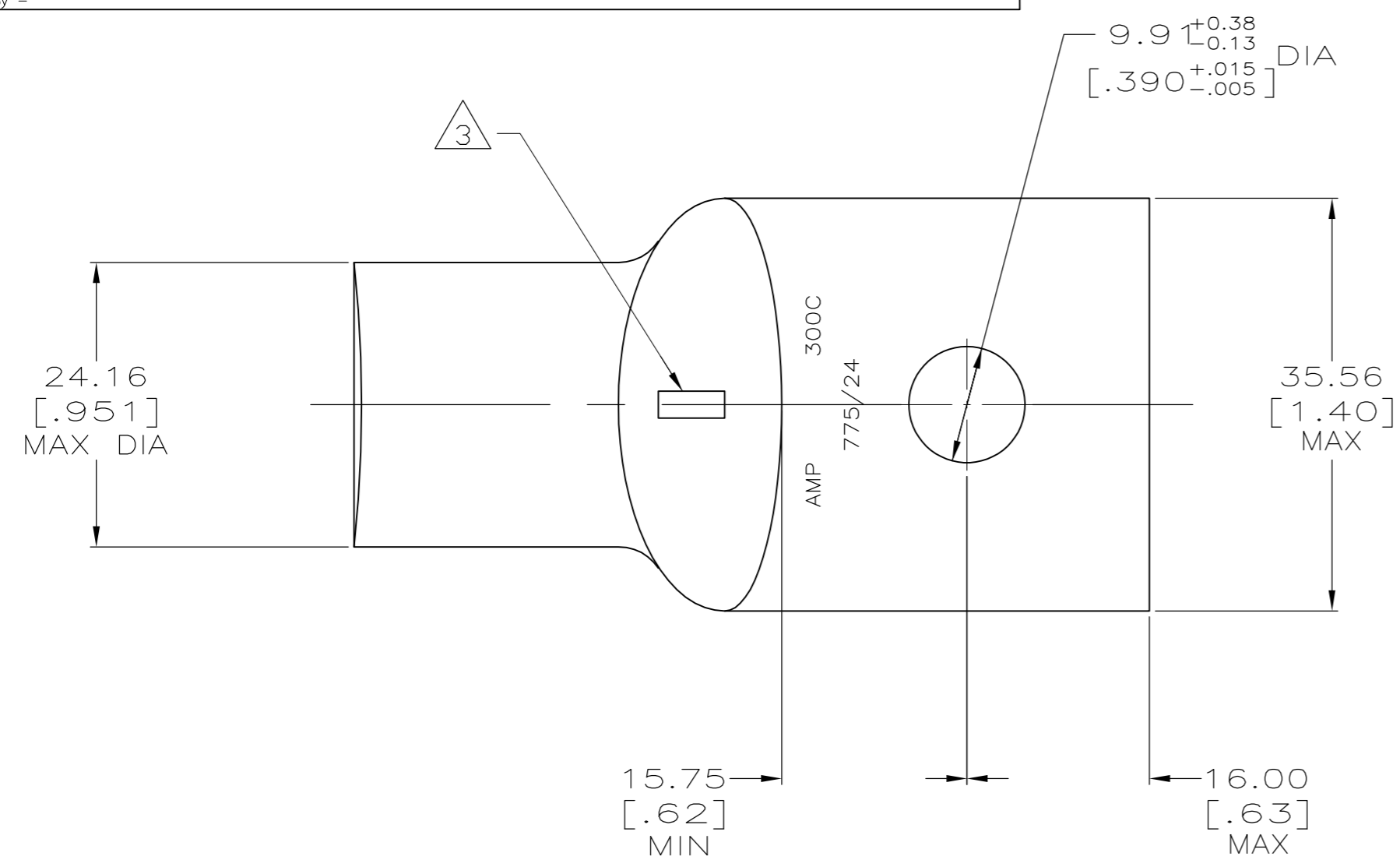
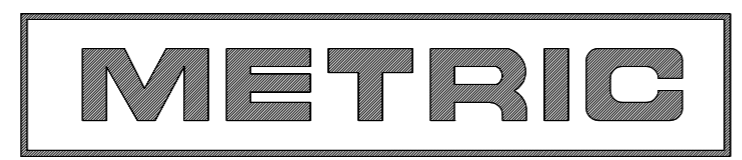
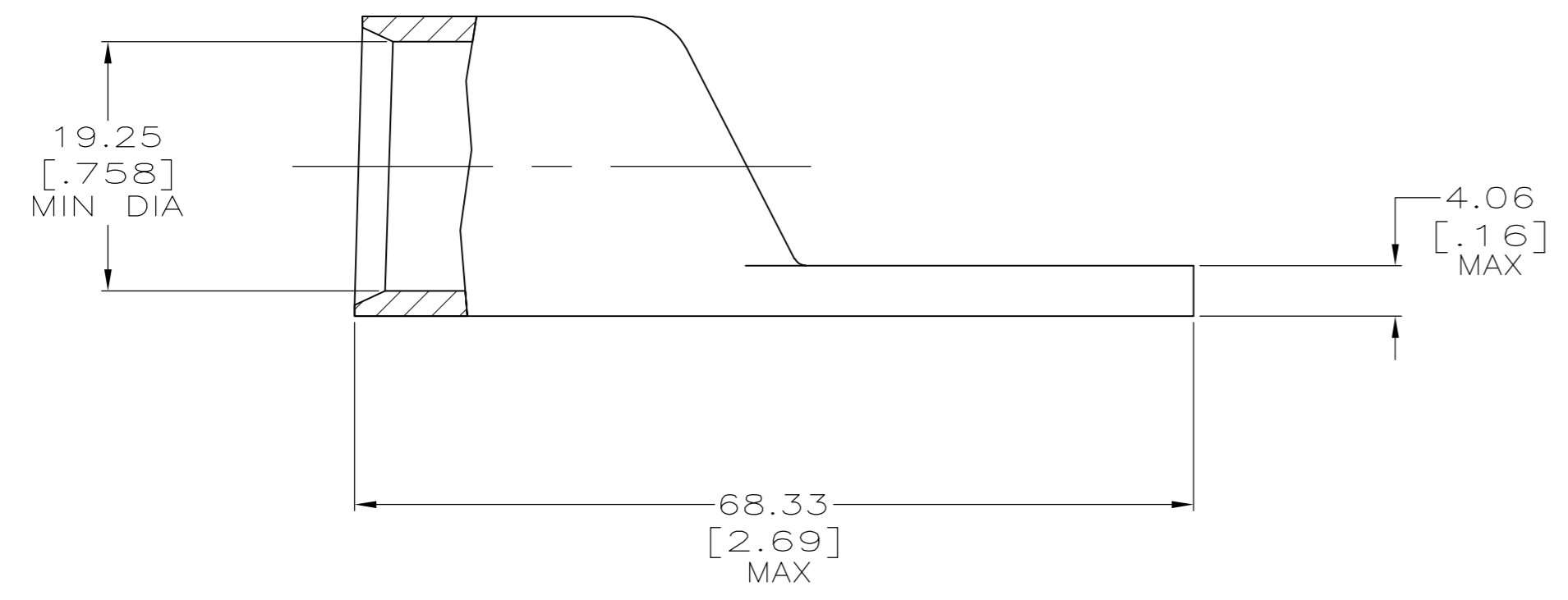


THIS DRAWING IS UNPUBLISHED. RELEASED FOR PUBLICATION
 © COPYRIGHT - By - ALL RIGHTS RESERVED.

REVISIONS				
P	LTR	DESCRIPTION	DATE	APVD
T		REV PER 0G3A-0561-01	08OCT02	JR/MS
U		ECR-16-012830	07SEP2016	KR/MV



- 1 CIRCULAR MIL AREA RANGE: 275-325 MCM
- 2 TIN PL 0.00381[.000150] MIN THK PER MIL-T-10727
- 3 SIGHT HOLE TO EXTEND APPROX TO CENTER OF BARREL APPLIES TO PART NUMBER 325803 ONLY



NONE	325803-1
REQD	325803
SIGHT HOLE	PART NO.

THIS DRAWING IS A CONTROLLED DOCUMENT.		DWN DK SCHRUM 02/28/90	TE TE Connectivity	
DIMENSIONS: INCHES		CHK MS FEHER 23JAN95		
TOLERANCES UNLESS OTHERWISE SPECIFIED:		APVD TL SHUTTER 23JAN95	NAME	
0 PLC ± -	1 PLC ± -	PRODUCT SPEC	TERMINAL, AMPPOWER,™	
2 PLC ± 0.51[.020]	3 PLC ± -	APPLICATION SPEC	WIRE SIZE: 300 MCM	
4 PLC ± -	ANGLES ± -		SIZE A2	CAGE CODE 00779
MATERIAL ANNEALED COPPER ASTM B-75	FINISH	WEIGHT .158 LB	DRAWING NO C-325803	RESTRICTED TO -
		CUSTOMER DRAWING	SCALE 2:1	SHEET 1 of 1

325803

U