

THIS DRAWING IS UNPUBLISHED.

RELEASED FOR PUBLICATION

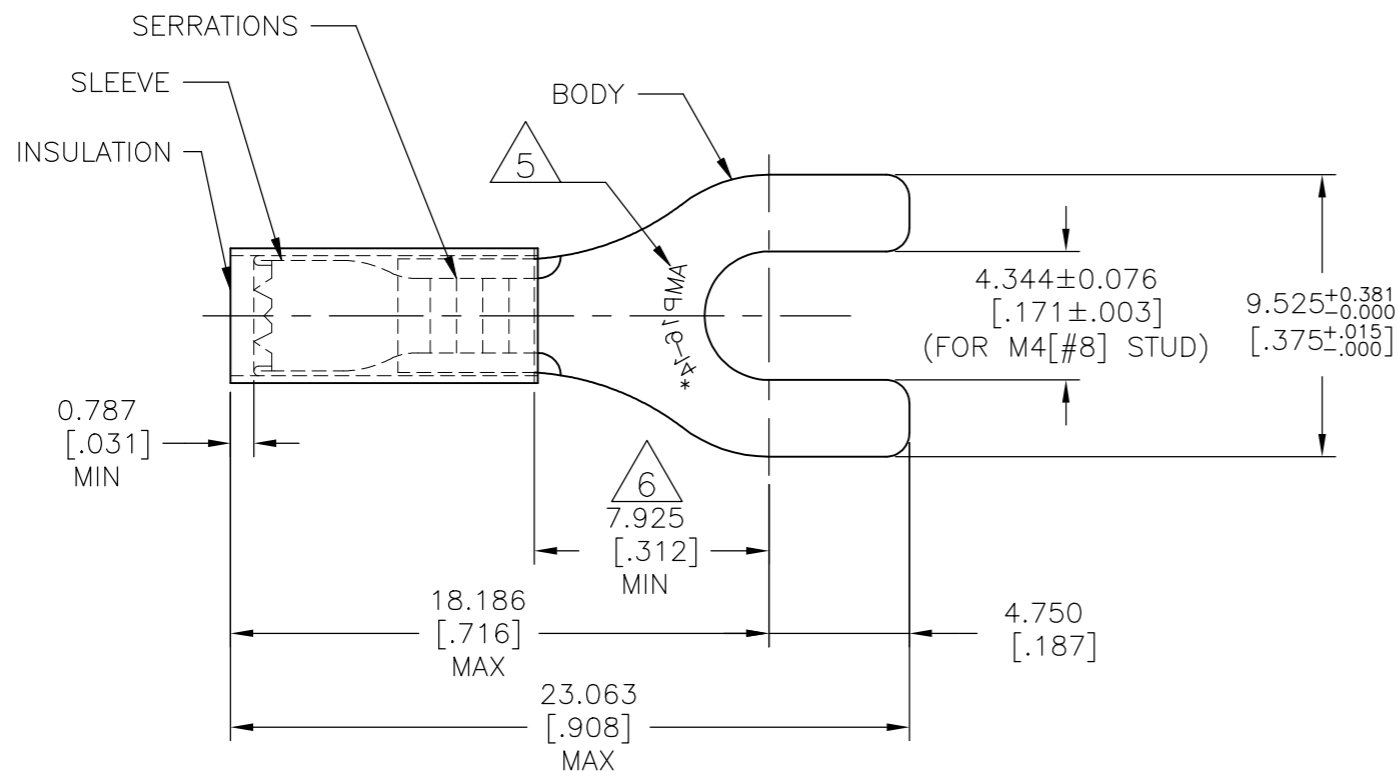
© COPYRIGHT - TE Connectivity Ltd.

ALL RIGHTS RESERVED.

REVISIONS

| P | LTR | DESCRIPTION | DATE | DWN | APVD |
|---|-----|---------------------------|-----------|-----|------|
| | C2 | REVISED PER ECO-17-008114 | 07JUN2018 | RS | DR |

| | | |
|--------------------------------|--------------------------------|--------------------------------|
| AMP WIRE RANGE | E13288 Listed | LR7189 Certified |
| 16-14 AWG SOLID OR STRANDED | 16-14 AWG SOLID OR STRANDED | 16-14 AWG SOLID OR STRANDED |



- 1 BODY MATERIAL THK: 0.787±0.051[.031±.002]
- 2 FOR 2.921 TO 4.318[.115 TO .170] WIRE INSULATION DIA
- 3 MATERIAL:
BODY & SLEEVE: COPPER PER ASTM B152
INSULATION: NYLON
- 4 FINISH:
BODY & SLEEVE: TIN PL PER ASTM B545
INSULATION: COLOR - BLUE
- 5 STAMP AMP 16-14* APPROX AS SHOWN
- 6 APPLIES FROM EDGE OF METAL WIRE BARREL TO CENTER OF STUD

| | | |
|------|---------------|-----------|
| 100 | LOOSE PC, BOX | 8-32059-1 |
| 1000 | LOOSE PIECE | 32059 |
| QTY | PACKAGE TYPE | PART NO |

AMP INCORPORATED
CUSTOMER SERVICE SYSTEMS

THIS DRAWING IS A CONTROLLED DOCUMENT.

DWN 07JUN2018
RAVI S

CHK 07JUN2018
ROHDE DANIEL F

APVD 07JUN2018
ROHDE DANIEL F

PRODUCT SPEC

UL 486 A-B

APPLICATION SPEC

114-2157

WEIGHT

CUSTOMER DRAWING

TE Connectivity Ltd.

NAME
WIRE TERMINAL, P.I.D.G. - SPADE
WIRE SIZE : 16-14 AWG

| | | | |
|------|-----------|------------|---------------|
| SIZE | CAGE CODE | DRAWING NO | RESTRICTED TO |
| A3 | 00779 | C-32059 | - |

| | | |
|--|--|---|
| FOR ADDITIONAL PRODUCT INFORMATION OR COPIES OF DRAWINGS AND TECHNICAL DOCUMENTS | PRODUCT INFORMATION CENTER 1-800-522-6752 | MAX RECOMMENDED OPERATING TEMPERATURE: 105°C [221°F] VOLTAGE RATING: 300 V MAX |
| FOR APPLICATION TOOLING INFORMATION | TOOLING ASSISTANCE CENTER 1-800-722-1111 | |
| FOR ORDER ENTRY | 1-800-526-5142 | WIRE CROSS SECTIONAL AREA RANGE, 1.04-2.62mm²[2,050-5,180] CIR MILS SOLID OR STRANDED |

| | |
|----------------------------|--|
| DIMENSIONS: mm [INCHES] | TOLERANCES UNLESS OTHERWISE SPECIFIED: |
| | 0 PLC ± - 1 PLC ± - 2 PLC ± - 3 PLC ± 0.127[.005] 4 PLC ± - ANGLES ± 5° |
| MATERIAL | FINISH |
| 3 | 4 |

| | | |
|-------|--------|-----|
| SCALE | SHEET | REV |
| NTS | 1 OF 1 | C2 |