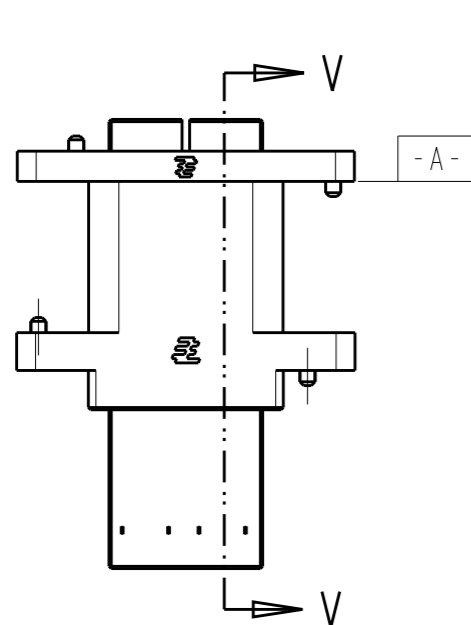
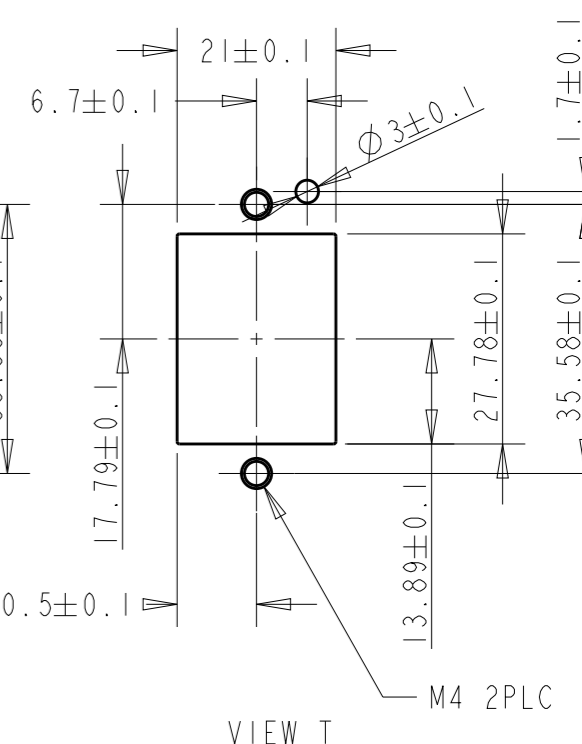
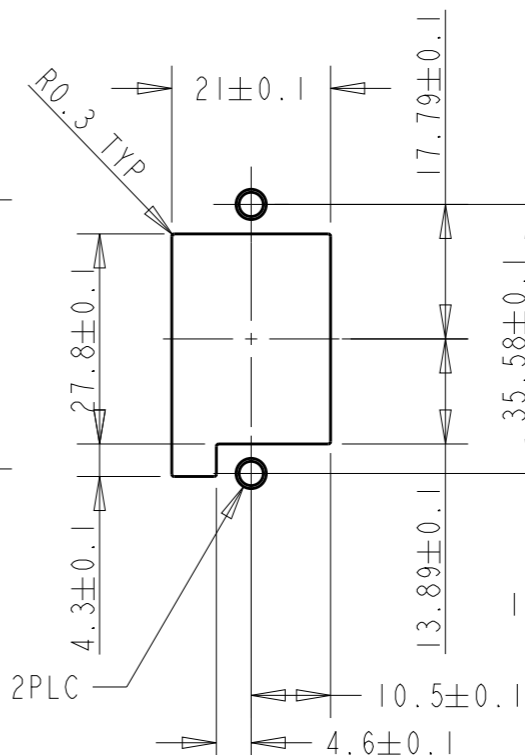
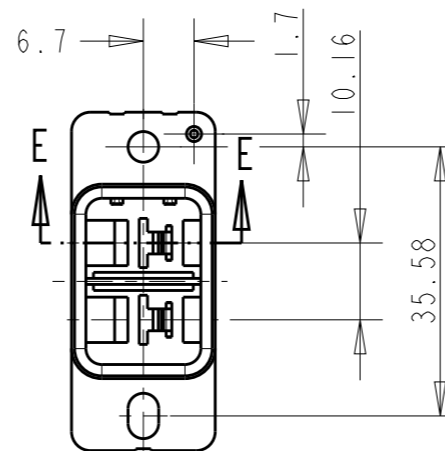
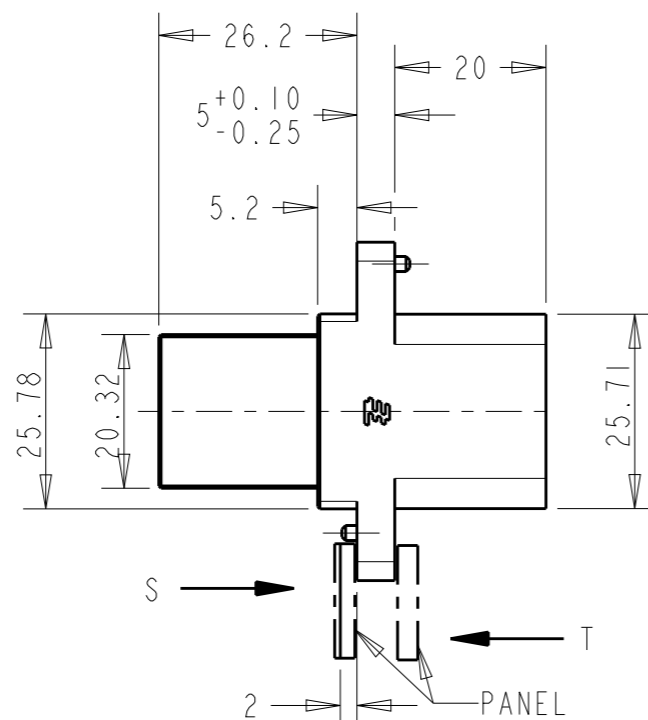
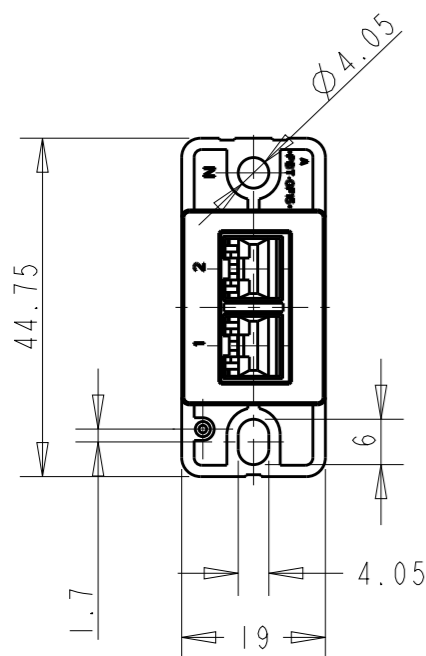
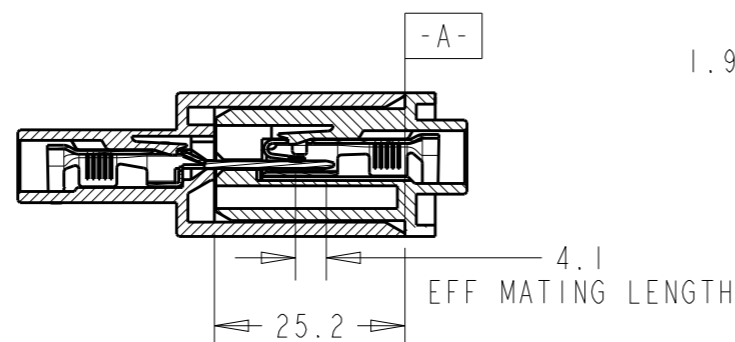


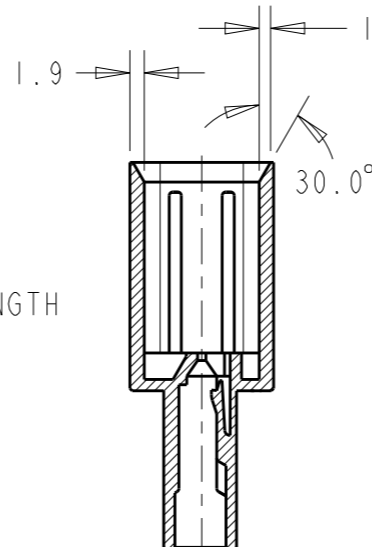
P	LTR	DESCRIPTION	DATE	DWN	APVD
B		REVISED ECR-06-000480	9 JAN06	C.W	S.Y
BI		REVISED ECR-20-018119	29 DEC2020	A.W	R.B



MATED CONDITION



SECTION V-V
AC CONTACT
(DYNAMIC CONTACT)



SECTION E-E

PANEL CUT DIMENSIONS
(CONNECTOR MATING SIDE)

NOTES:

1. APPLICABLE CONNECTORS & CONTACTS:

CIRCUIT TYPE	FINISH	AWG	APPLICABLE CONNECTOR/ CONTACT P/N	REMARKS
HIGH CURRENT CIRCUITS	GOLD PLT	#10-12	84695-X	STRIP
		#14-16	84696-X	STRIP

2. MATERIAL:
HOUSING: PBT G.F. UL94V-0 COLOR: BLACK
3. MATING COUNTER P/N: 292353-1

2	292352-1
No. OF POSITION (HIGH CURRENT)	P/N

THIS DRAWING IS A CONTROLLED DOCUMENT.

DIMENSIONS:	TOLERANCES UNLESS OTHERWISE SPECIFIED:
mm	
	0 PLC ±0.25
	1 PLC ±0.25
	2 PLC ±0.25
	3 PLC ±0.25
	4 PLC ±
	ANGLES ±3°
MATERIAL	FINISH
	-

DWN	ROY HAO	09APR04
CHK	STEVEN YAO	09APR04
APVD	T. SASAKI	09APR04
PRODUCT SPEC	108-51030	
APPLICATION SPEC	114-51009	
WEIGHT	-	



NAME: PLUG HOUSING FOR 1.5mm PITCH MINI CT HIGH CURRENT DRAWER CONNECTOR

SIZE	CAGE CODE	DRAWING NO	RESTRICTED TO
A3	00779	C=292352	

CUSTOMER DRAWING SCALE 1:1 SHEET 1 OF 1 REV BI