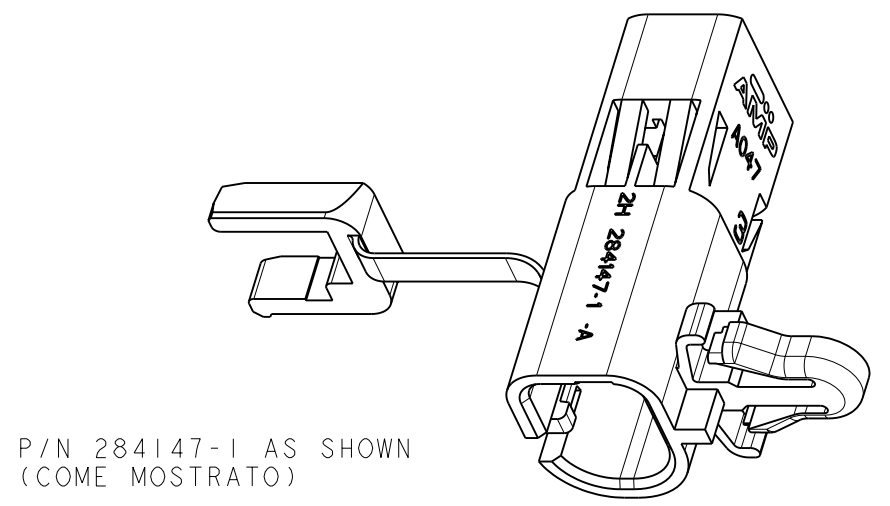
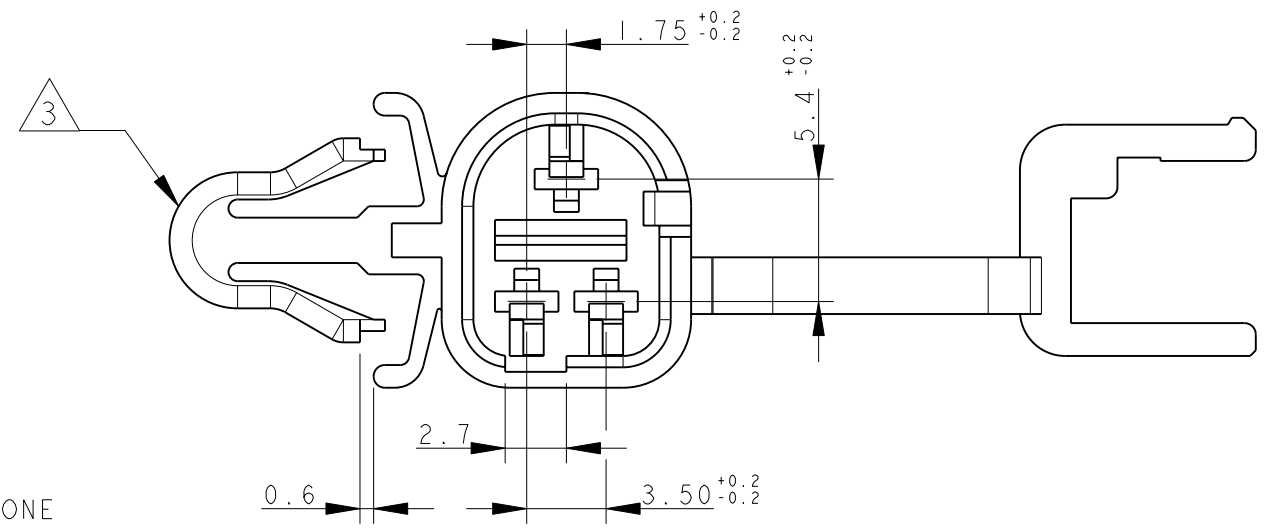
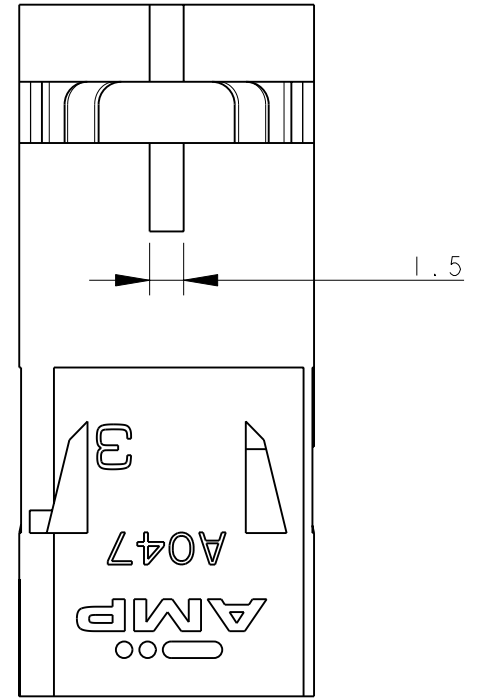
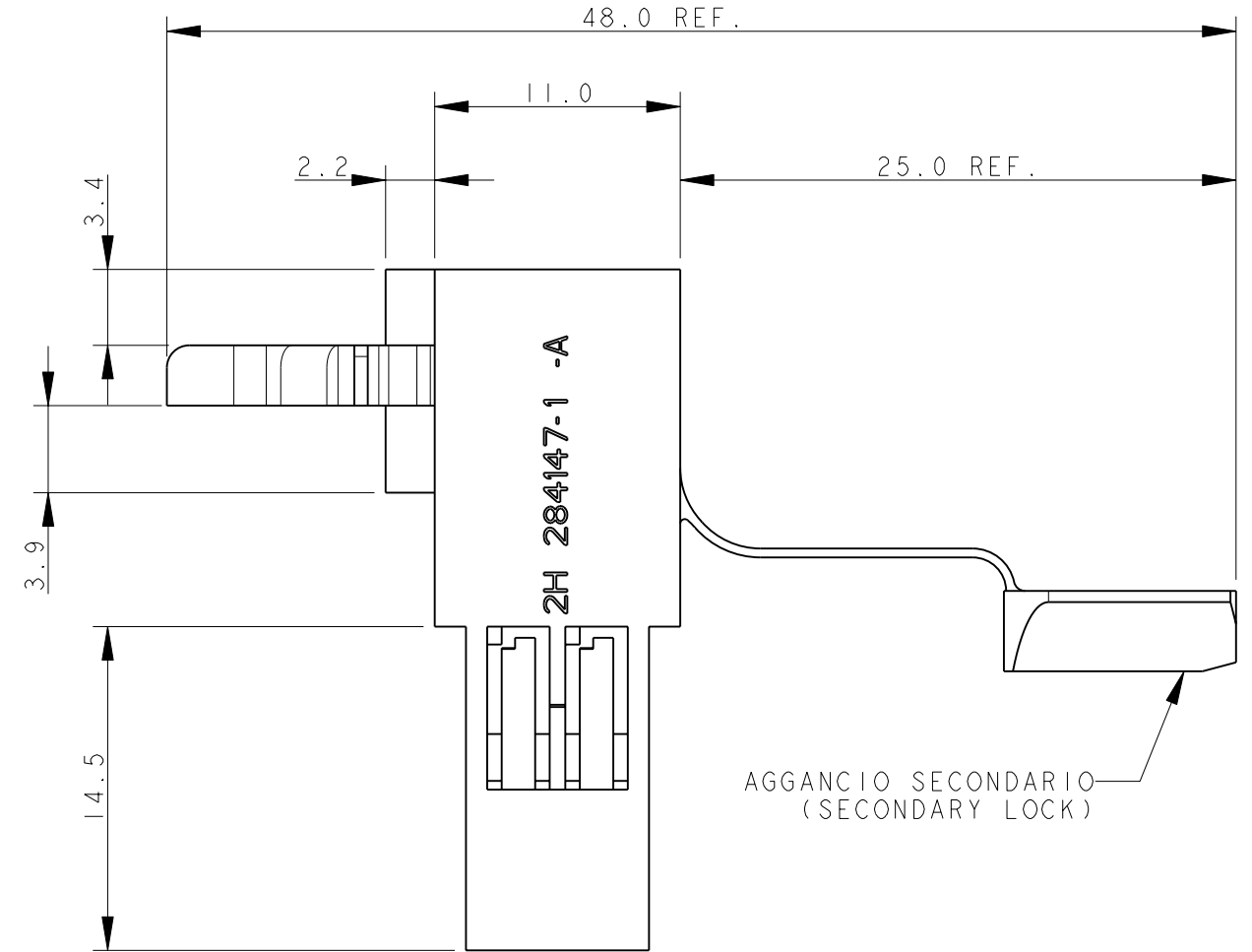
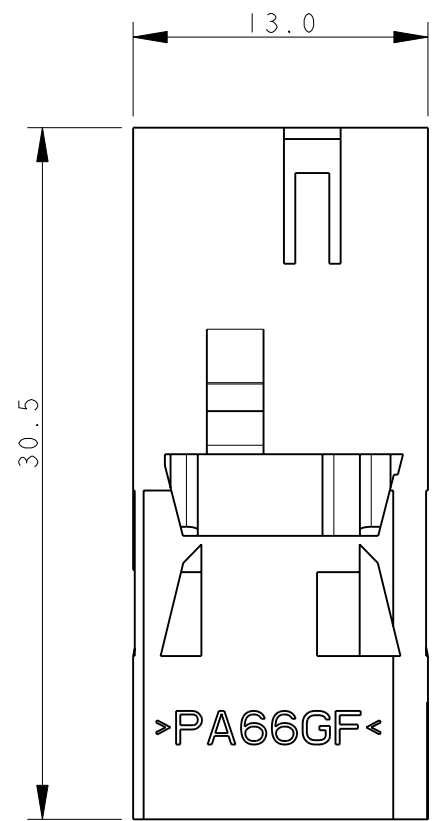


THIS DRAWING IS UNPUBLISHED. RELEASED FOR PUBLICATION 2009
 © COPYRIGHT 2009 BY TYCO ELECTRONICS CORPORATION. ALL INTERNATIONAL RIGHTS RESERVED.

LOC	DIST
1	-

REVISIONS					
P	LTR	DESCRIPTION	DATE	DWN	APVD
A		FIRST ISSUE (ET00-0092-98)	10APR1998	P.S.	C.B.
A1		UPDATED, ADDED SHEET 2 (ET00-0067-99)	22FEB1999	A.M.	O.C.
A2		CORR.POL.KEY SHEET 2/2 (ET00-0134-99)	16APR1999	A.M.	O.C.
A3		CORRECTED NOTE 1 SHEET 1/2 (ET00-0230-99)	25JUN1999	A.M.	O.C.
A4		FPI UPDATED AND RELEASED (ET00-0256-02)	01MAR2004	M.B.	O.C.
A5		REVISED PER ECR-09-025969	30NOV2009	M.G.	M.G.



1) BLOCCHETTO ADATTO PER CONTATTI MULTILOCK .070 SECONDA GENERAZIONE P/N 284080-1 E P/N 284107-1 (HOUSING SUITABLE FOR MULTILOCK .070 SECOND GENERATION CONTACTS P/N 284080-1 AND P/N 284107-1)

2) MATERIALE: PA 66 GF COLORE NERO (MATERIAL: PA 66 GF COLOR BLACK)

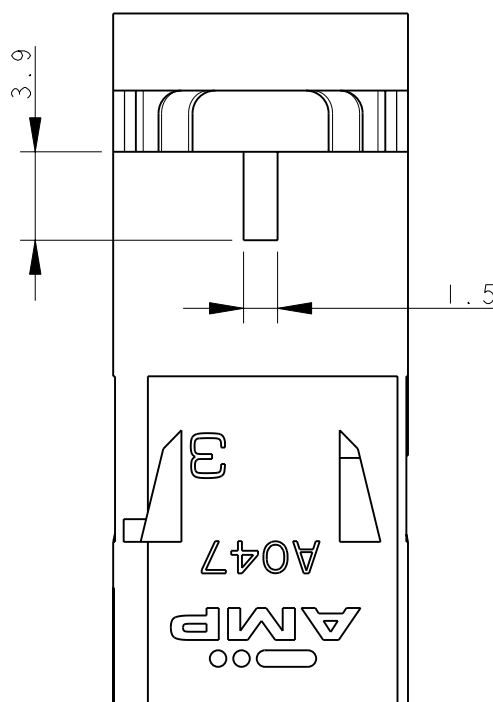
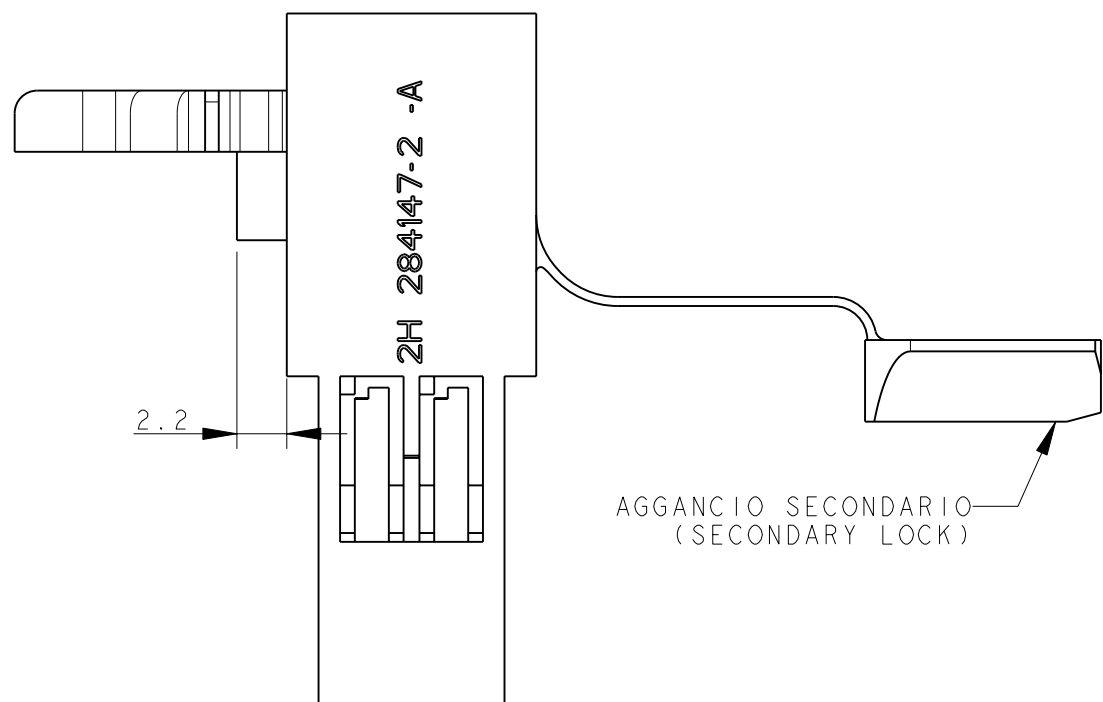
3) AGGANCIO ADATTO PER FORO PANNELLO Ø 6.5 +0.30 SPESSORE PANNELLO LAMIERA 0.9 ± 0.1 (HOOK SUITABLE FOR PANEL HOLE Ø 6.5 +0.30 THICK SHEET METAL PANEL 0.9 ± 0.1)

4) ADATTO PER CONTROPARTE P/N 284148-1 (SUITABLE COUNTERPART: P/N 284148-1)

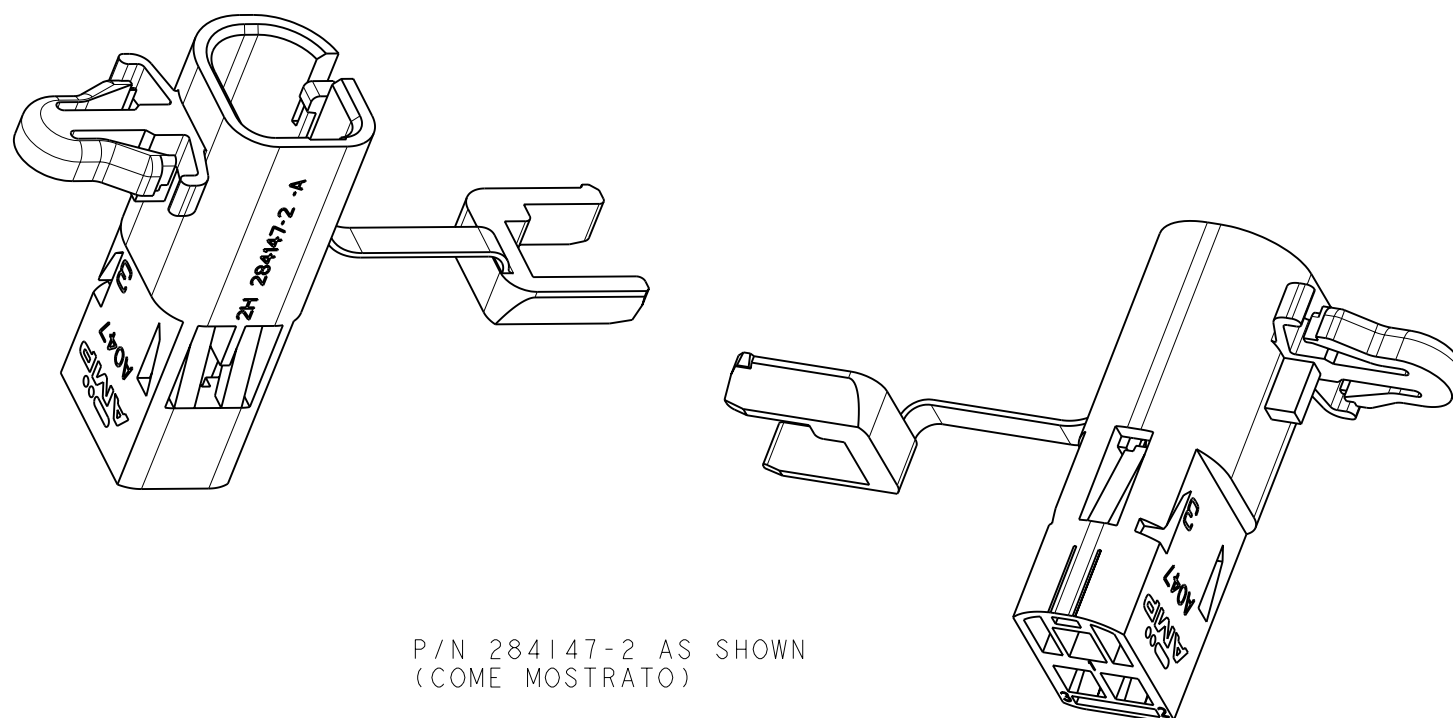
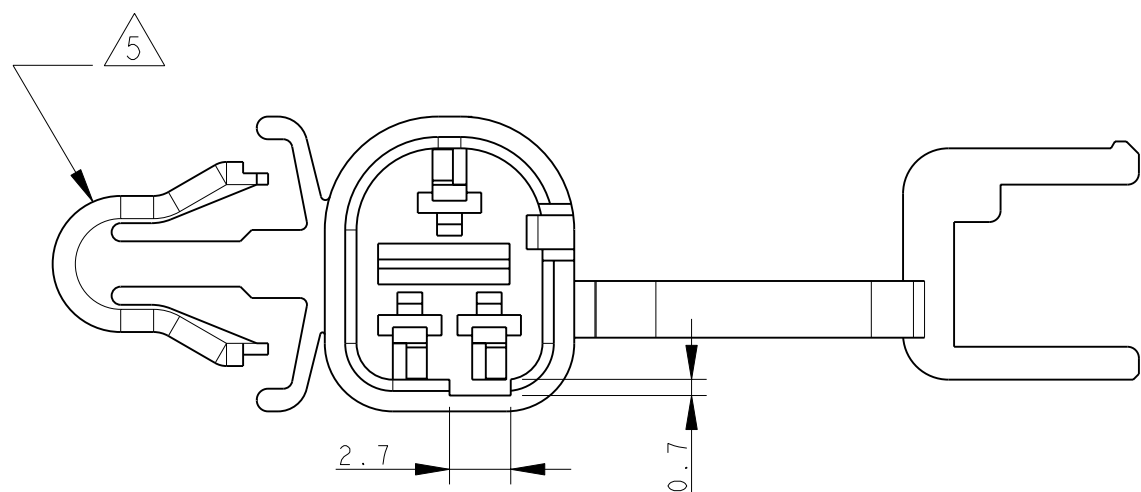
DIMENSIONS: mm		TOLERANCES UNLESS OTHERWISE SPECIFIED:	
		0 PLC ±1.0	ANGLES ±1°
		1 PLC ±0.3	
		2 PLC ±0.3	
		3 PLC ±-	
		4 PLC ±-	
MATERIAL		FINISH -	

DWN P. SANTANGELO 30 JAN 98	Tyco Electronics AMP Italia S.r.l. Corso F.lli Cervi, 15 - Collegno (TO)	
CHK C. BERTINI 30 JAN 98	NAME 3 POS. .070 MULTILOCK MALE CONNECTOR	
APVD A. BRUNI 30 JAN 98	PRODUCT SPEC -	APPLICATION SPEC -
WEIGHT -		RESTRICTED TO -
CUSTOMER DRAWING		SCALE 3:1 SHEET 1 OF 2 REV A5

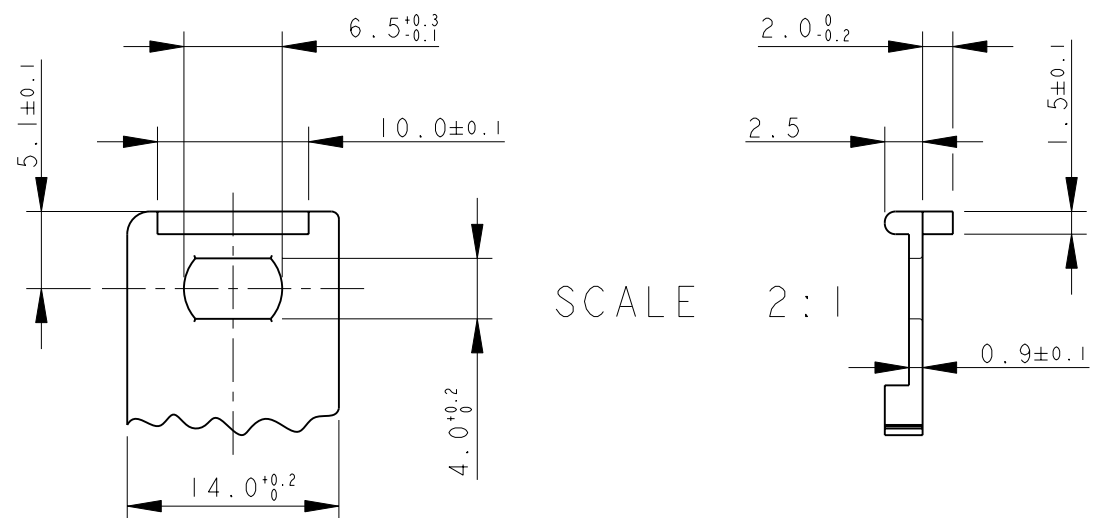
LOC	DIST	REVISIONS			
P	LTR	DESCRIPTION	DATE	DWN	APVD
1	-	SEE SHEET 1/2			



- 1) BLOCCHETTO ADATTO PER CONTATTI MULTILOCK .070 SECONDA GENERAZIONE P/N 284080-1 E P/N 284107-1.
(HOUSING SUITABLE FOR MULTILOCK .070 SECOND GENERATION CONTACTS P/N 284080-1 AND P/N 284107-1)
- 2) MATERIALE: PA 66 GF COLORE BIANCO.
(MATERIAL: PA 66 GF COLOR WHITE)
- 3) IL P/N 284147-2 DIFFERISCE DAL P/N 284147-1 PER LE QUOTE INDICATE
(P/N 284147-2 IS DIFFERENT FROM P/N 284147-1 FOR SHOWN DIMENSIONS)
- 4) PER LE DIMENSIONI MANCANTI VEDERE P.N. 284147-1 FOGLIO 1/2)
(FOR MISSING DIMENSIONS SEE P.N. 284147-1 SHEET 1/2)
- 5) AGGANCIO ADATTO PER FORO PANNELLO CON GEOMETRIA INDICATA
(HOOK SUITABLE FOR PANEL HOLE AS SHOWN)
- 6) ADATTO PER CONTROPARTE P/N 284148-2
(SUITABLE COUNTERPART: P/N 284148-2)



CONTROPARTE DI AGGANCIO (MATING PART)



THIS DRAWING IS A CONTROLLED DOCUMENT FOR TYCO ELECTRONICS CORPORATION IT IS SUBJECT TO CHANGE AND THE CONTROLLING ENGINEERING ORGANIZATION SHOULD BE CONTACTED FOR THE LATEST REVISION.

DIMENSIONS: mm		TOLERANCES UNLESS OTHERWISE SPECIFIED:	
0 PLC	±1.0	1 PLC	±0.3
2 PLC	±0.3	3 PLC	±0.3
4 PLC	±	ANGLES	±1°
MATERIAL		FINISH	-

DWN	30 JAN 98
P. SANTANGELO	
CHK	30 JAN 98
C. BERTINI	
APVD	30 JAN 98
A. BRUNI	
PRODUCT SPEC	
APPLICATION SPEC	
WEIGHT	-
CUSTOMER DRAWING	

Tyco Electronics AMP Italia S.r.l. Corso F.lli Cervi, 15 - Collegno (TO)	
NAME	
3 POS. .070 MULTILOCK MALE CONNECTOR	
SIZE	CAGE CODE
A300779	C=284147
DRAWING NO	RESTRICTED TO
SCALE	SHEET
3:1	2 OF 2
REV	A5