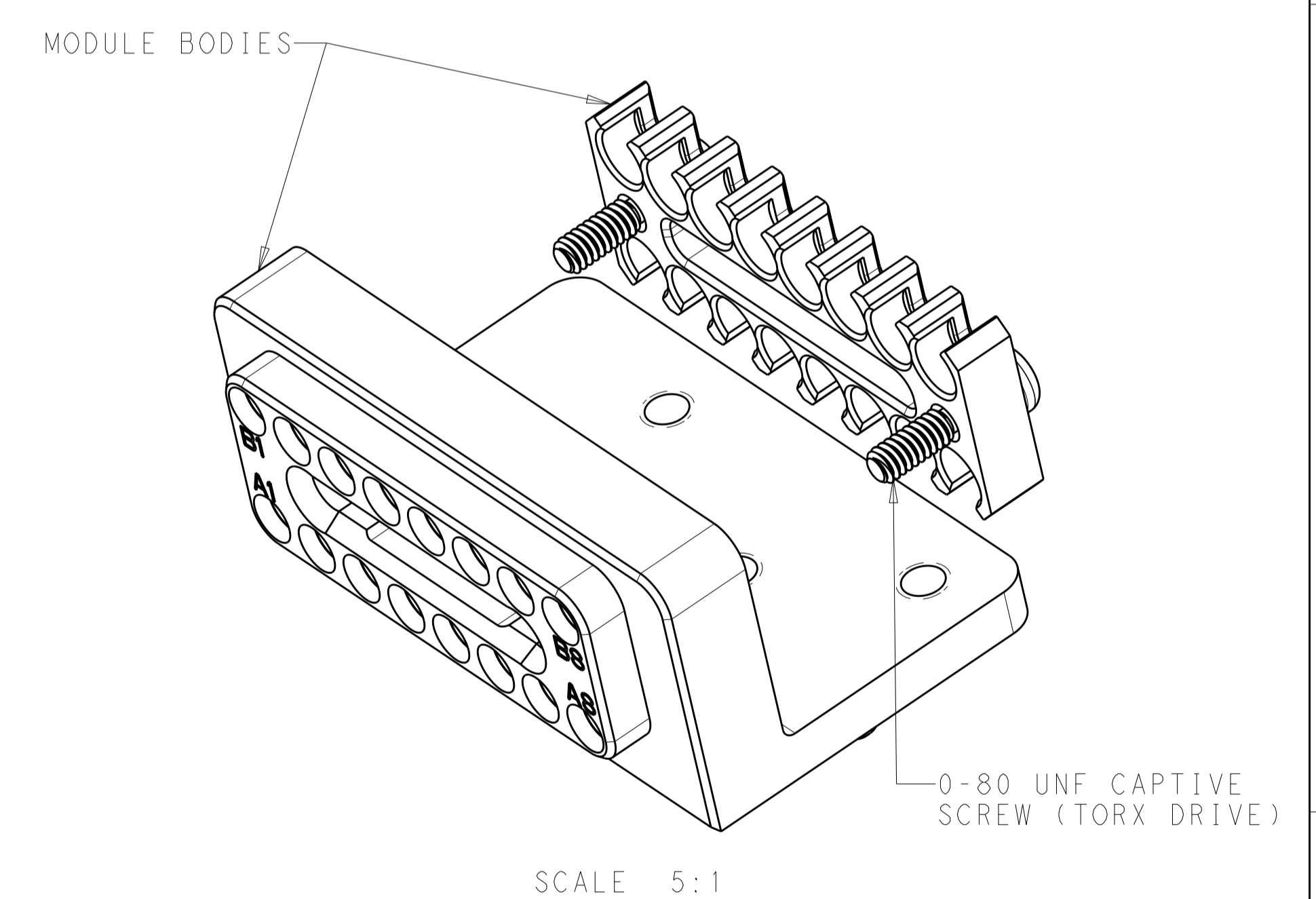
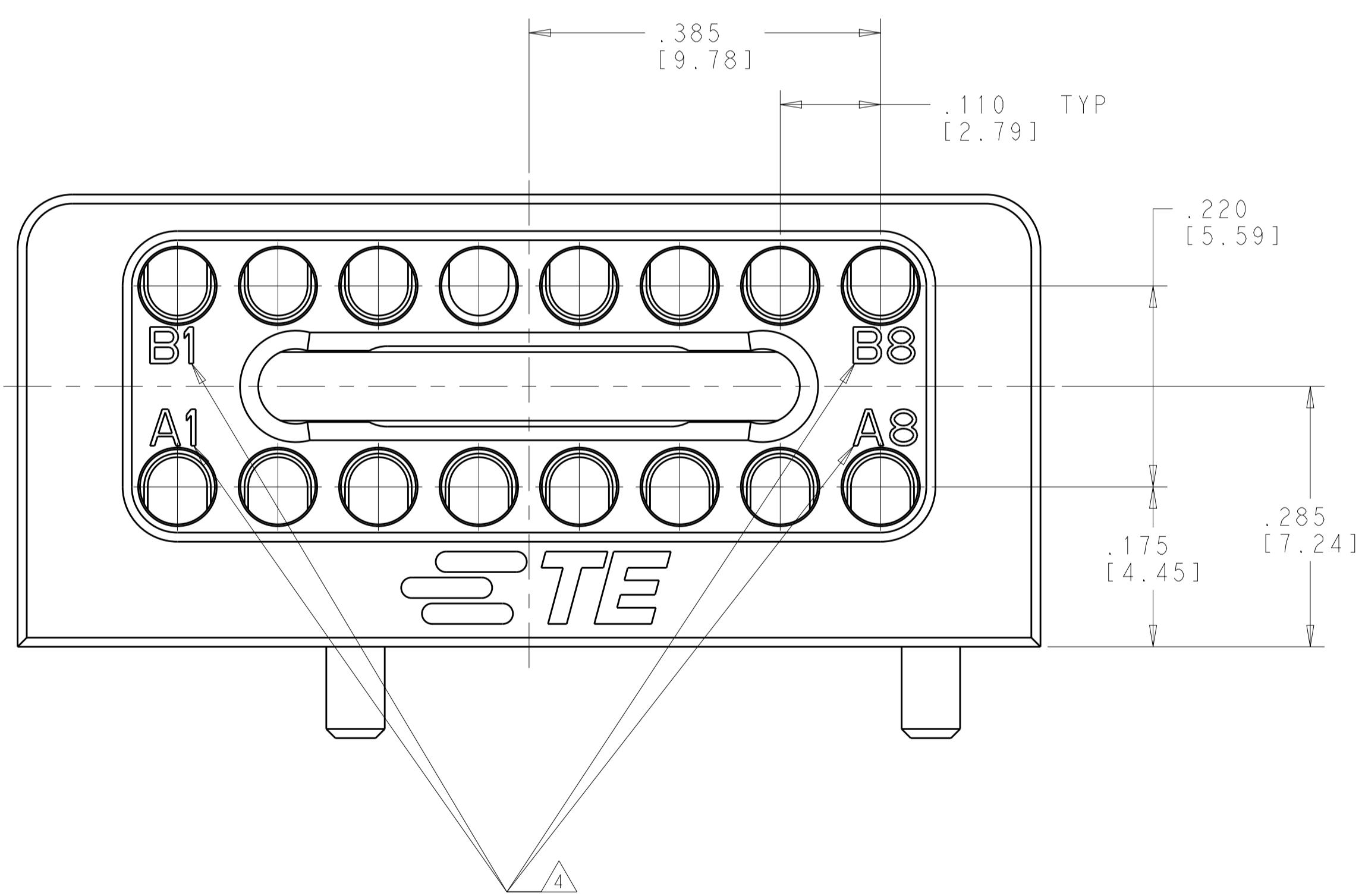
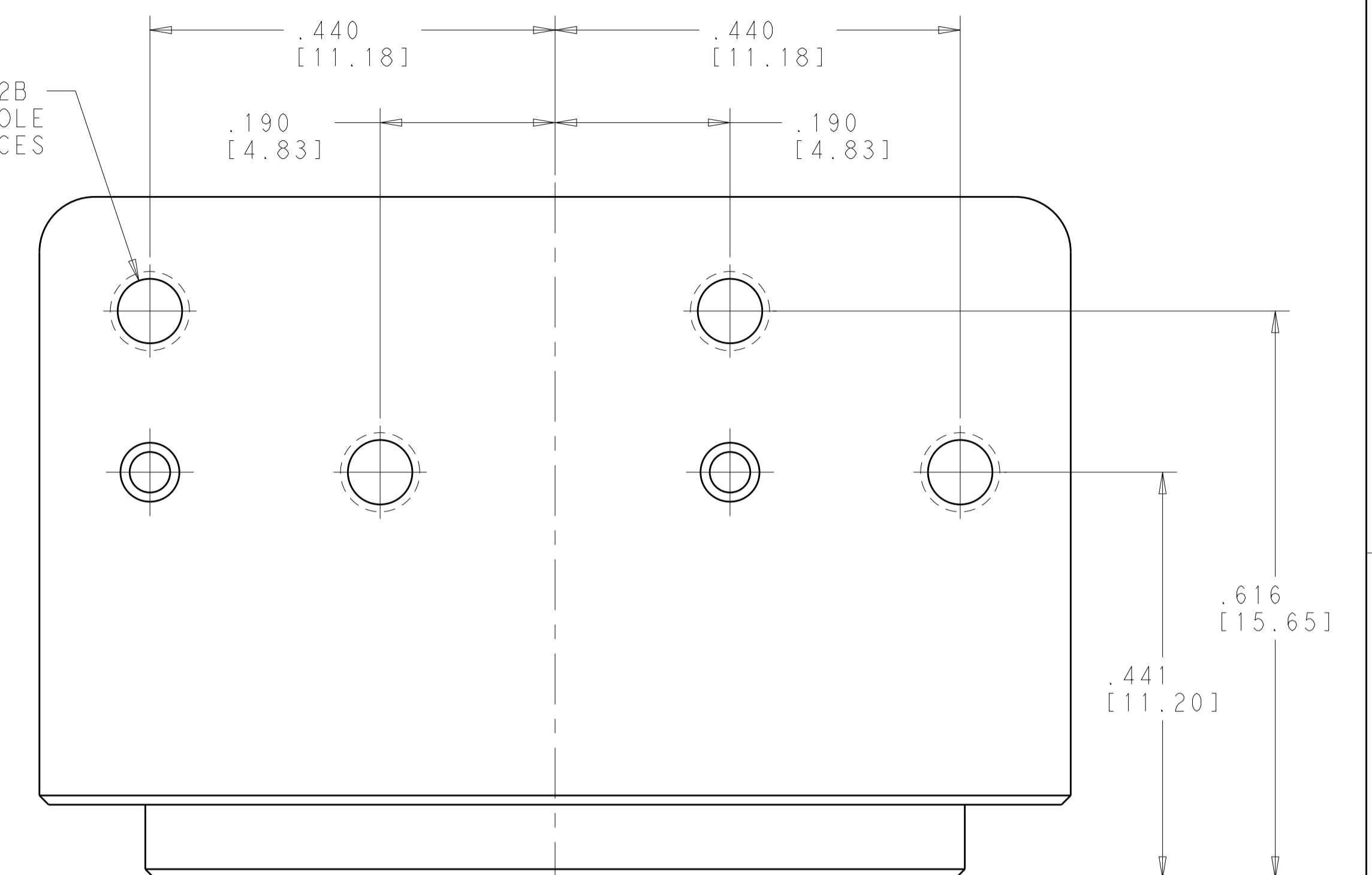
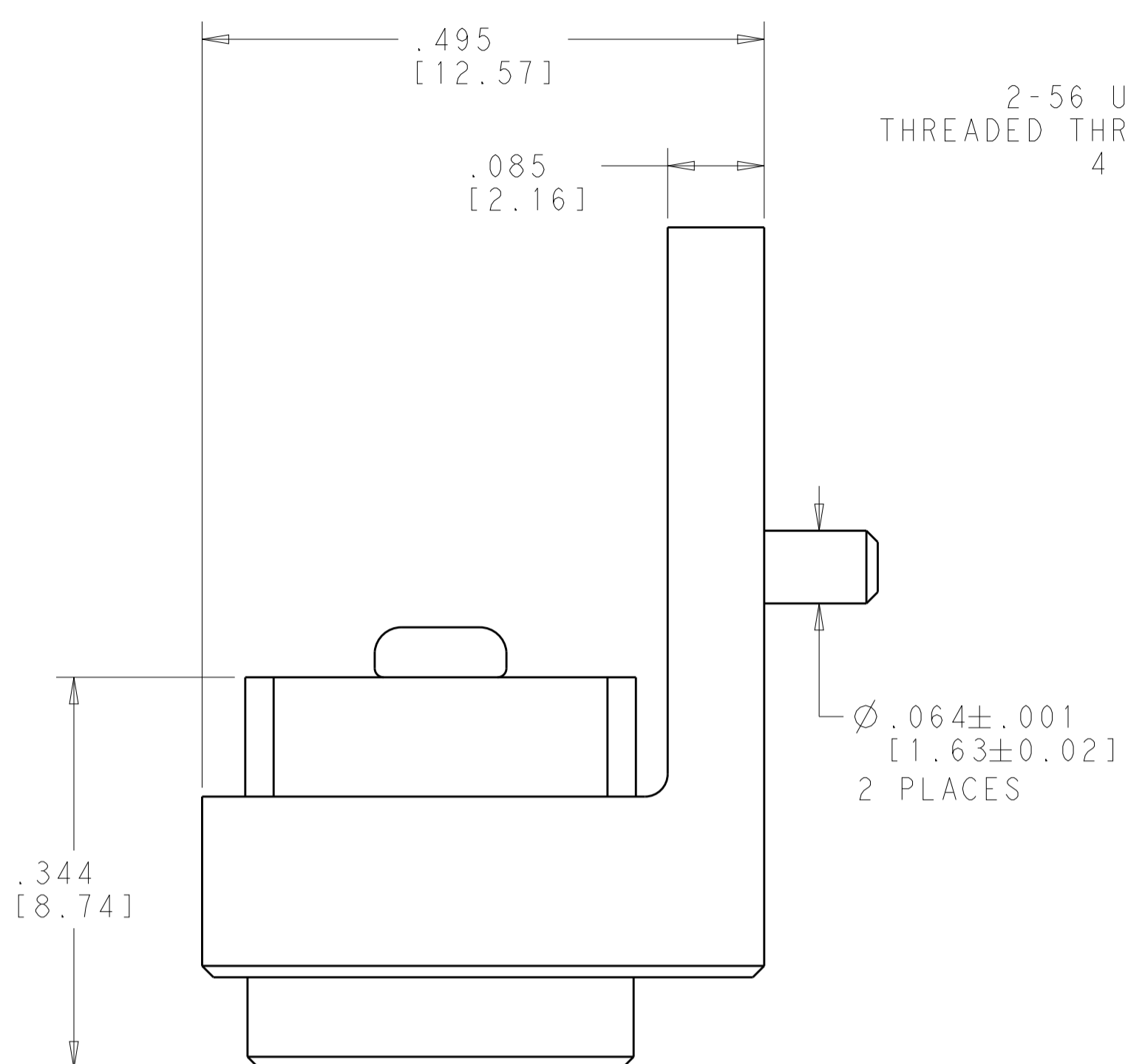
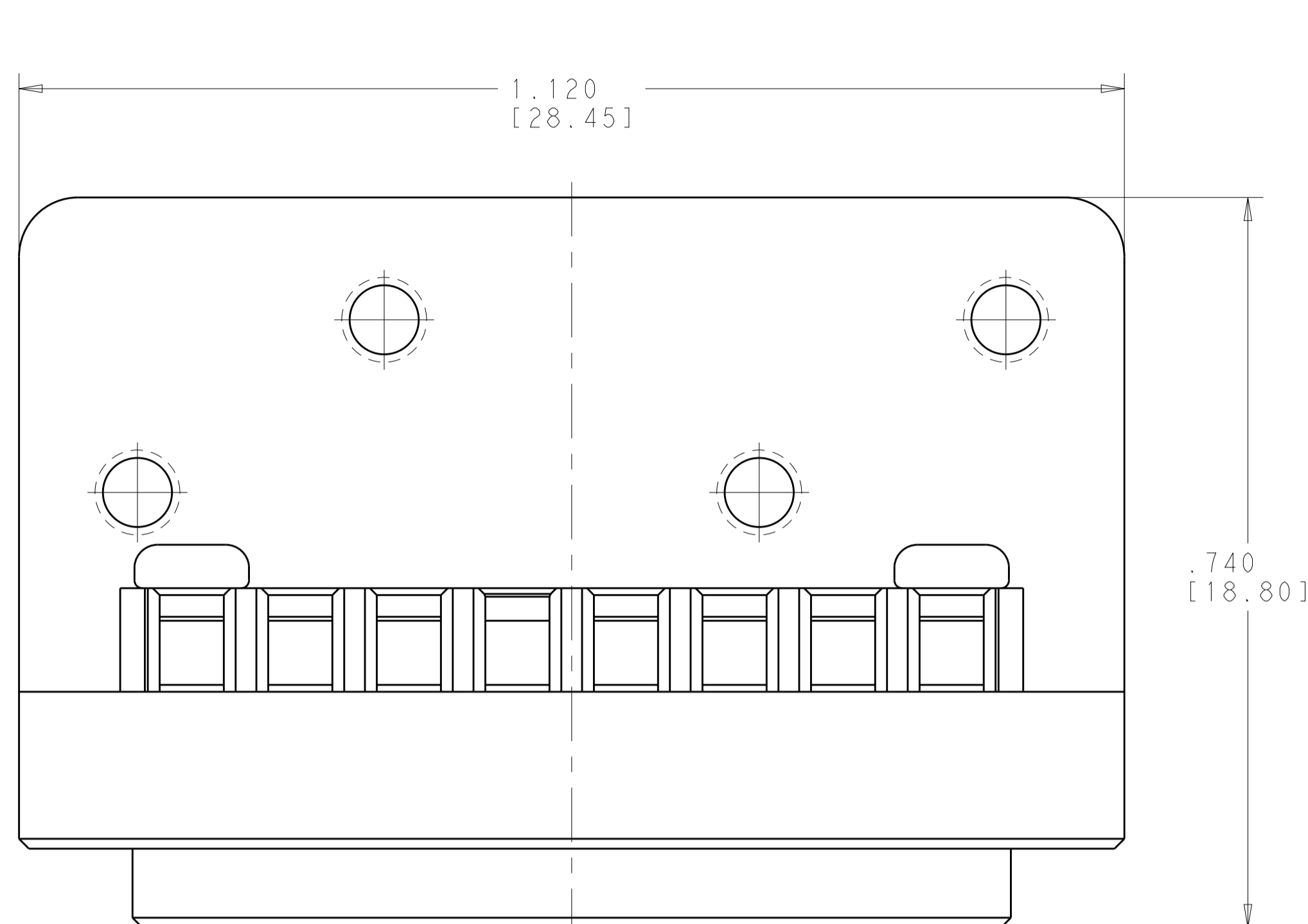


REVISIONS				
P.	LTN.	DESCRIPTION	DATE	APPD.
B		RELEASED PER ECO 19-005475	4-9-19	CT FB

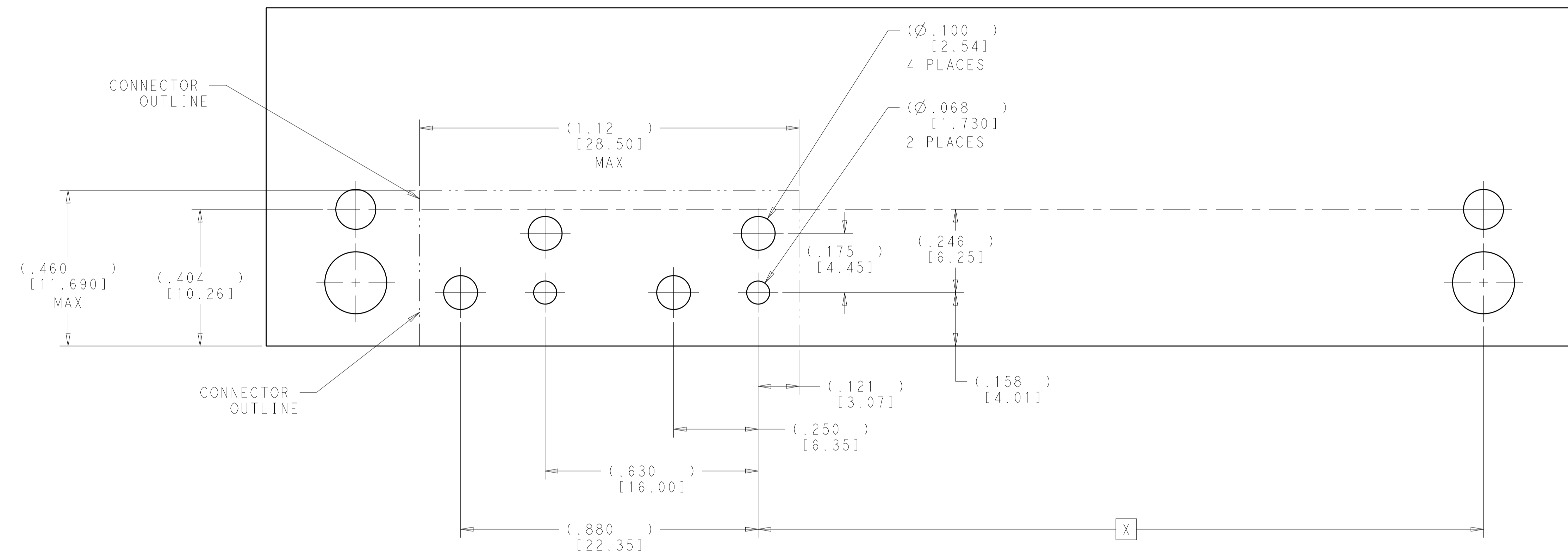


- 1 MATERIAL:
MODULE BODIES - SEE TABLE
SCREWS - 300 SERIES STAINLESS STEEL
- 2 FINISH:
MODULE BODIES - SEE TABLE
SCREWS - PASSIVATED
- 3. SHIPPED IN KIT FORM.
- 4 CIRCUIT IDENTIFICATION MARKING
- 5 P3 MODULE LOCATION CAN BE MOVED -.129[3.28] TO POSITION P3 = 3.702[94.03] TO ALLOW FOR USE OF A FULL MULTIGIG CONNECTOR IN P4. THE BACKPLANE MODULE POSITION MUST ALSO BE ADJUSTED ACCORDINGLY.

CLEAR CHROMATE CONVERSION COATING	ALUMINUM ALLOY 7075	2828392-2
PASSIVATED	STAINLESS STEEL PER UNS S30300	2828392-1
MODULE FINISH 2	MODULE MATERIAL 1	PART NUMBER

THIS DRAWING IS A CONTROLLED DOCUMENT.		DWN: R. MILLER 06AUG2015	STE TE Connectivity
DIMENSIONS: INCHES/mm		CHK: C. YI 14AUG2015	
TOLERANCES UNLESS OTHERWISE SPECIFIED:		APPD: K. DOWNHOWER 11APR2018	NAME: 16 POSITION NanoRF MODULE P.C.B. MOUNT - DAUGHTERCARD VITA
0 PLC ±		PRODUCT SPEC: 108-163006	
1 PLC ±		APPLICATION SPEC: 408-163016	SIZE: CAGE CODE DRAWING NO: A100779C=2828392
2 PLC ±.005[0.13]		WEIGHT: -	RESTRICTED TO: -
3 PLC ±		CUSTOMER DRAWING	SCALE: 8:1 SHEET 1 OF 2 REV B
4 PLC ±			
ANGLES ±			
FINISH			

REVISIONS				
P.	LTN	DESCRIPTION	DATE	APVD
-	SEE SHEET 1			



DESIGNED FOR VITA 67.2 PCB LAYOUT
(VIEW FROM TOP SIDE)

P2	2.145 [54.48]
\triangle P3	3.831 [97.31]
P4	4.965 [126.11]
P5	6.099 [154.91]
P6	7.233 [183.71]
POSITION	DIM "X"

THIS DRAWING IS A CONTROLLED DOCUMENT.		DWN H. MILLER 14AUG2015	 TE Connectivity
DIMENSIONS: INCHES/mm		CHK C. YI 14AUG2015	
TOLERANCES UNLESS OTHERWISE SPECIFIED:		APVD K. DOWNHOWER 11APR2018	NAME 16 POSITION NanoRF MODULE P.C.B. MOUNT - DAUGHTERCARD VITA
0 PLC ±. 1 PLC ±. 2 PLC ±. 3 PLC ±.005(0.13) 4 PLC ±. ANGLES ±. FINISH		PRODUCT SPEC 108-163006	SIZE A
MATERIAL		APPLICATION SPEC 408-163016	CAGE CODE 00779
		WEIGHT	DRAWING NO 2828392
		CUSTOMER DRAWING	RESTRICTED TO B
		SCALE 4:1	SHEET 2 OF 2
			REV B