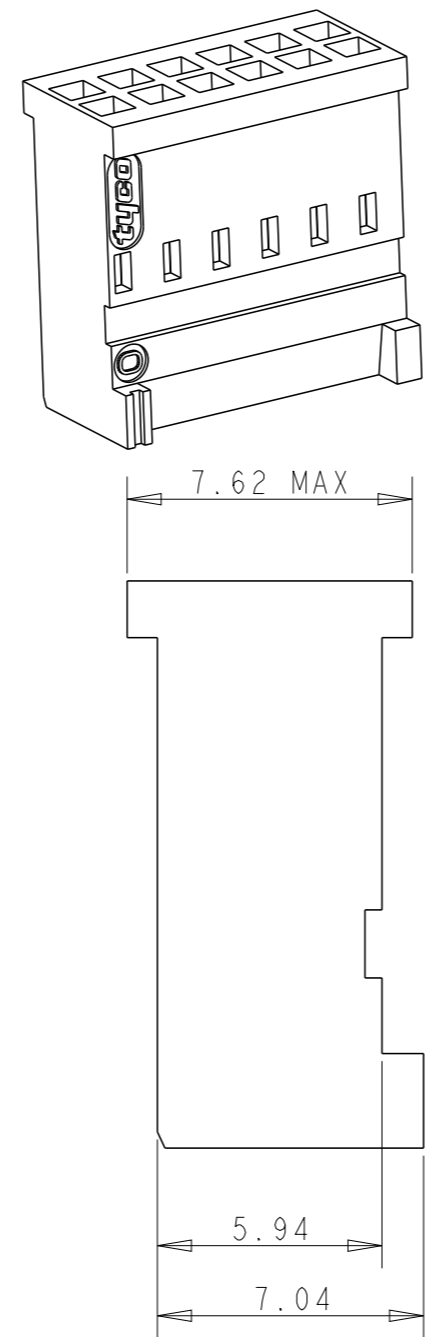
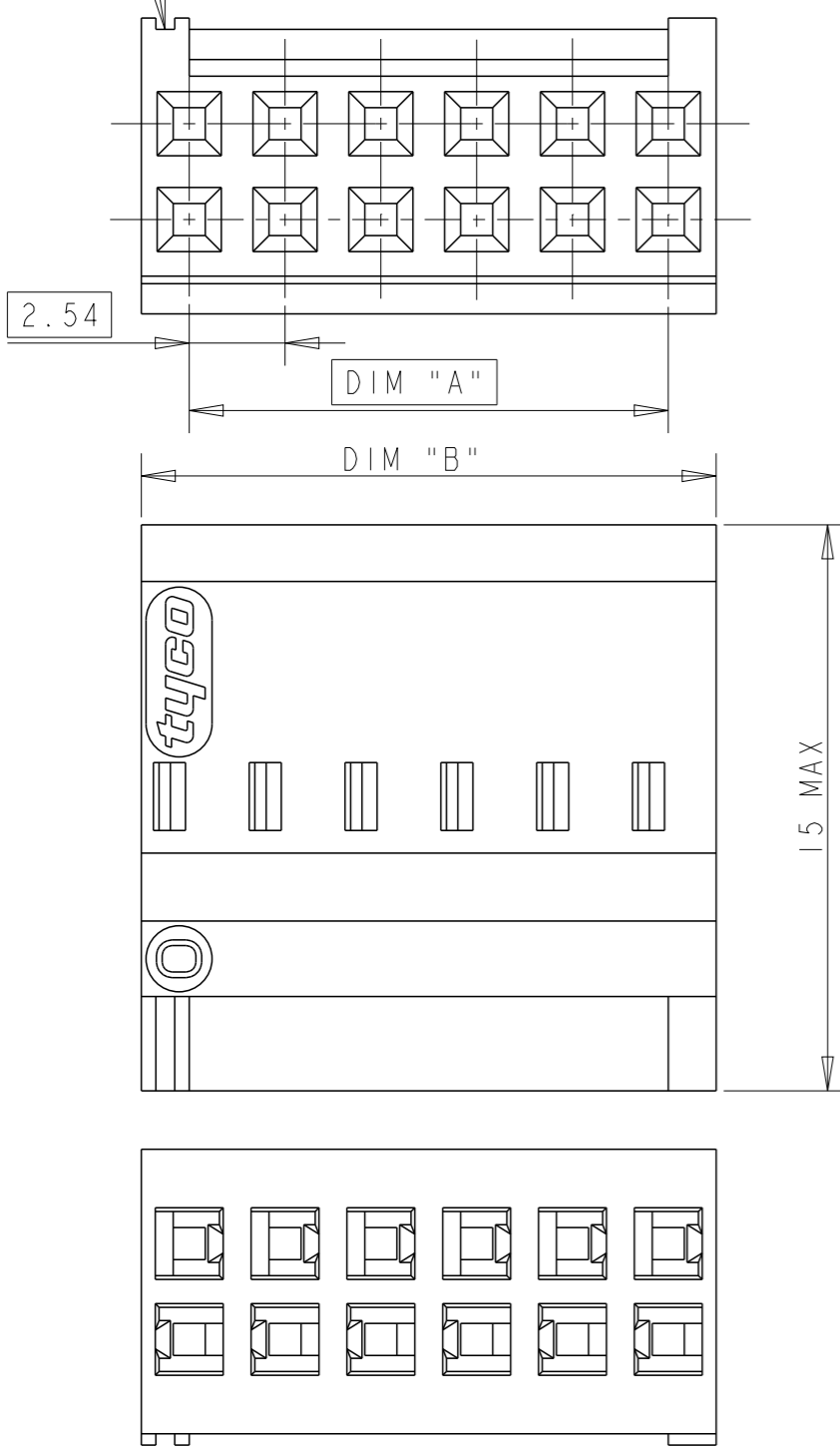


SEE NOTE 2

SCALE 3:1

P	LTR	DESCRIPTION	DATE	DWN	APVD
B		REDRAWN	22JUL2003	TC	YP
C		CORRECTED P/N AND NR OF POS.	19MAR2004	J.D	Y.P
CI		REVISED PER ECO-09-025699	17DEC2009	KK	AEG
D		MATERIAL COLOR CHANGED FROM BLUE TO BLACK	01JAN2024	SP	JK



45.72	43.18	2x18	1-281839-8
38.10	35.56	2x15	1-281839-5
30.48	27.94	2x12	1-281839-2
25.40	22.86	2x10	1-281839-0
22.86	20.32	2x9	0-281839-9
20.32	17.78	2x8	0-281839-8
17.78	15.24	2x7	0-281839-7
15.24	12.70	2x6	0-281839-6
12.70	10.16	2x5	0-281839-5
10.16	7.62	2x4	0-281839-4
7.62	5.08	2x3	0-281839-3
DIM "B"	DIM "A"	NR OF POS.	TYCO P/N

5 OBSOLETE

NOTES:

- MATERIAL DESCRIPTION: POCAN B 4225, BLACK 901510 (RAL9011)
 - IDENTIFICATION OF CONTACT CAVITY N° 1
 - PRODUCT ACCORDING TO IEC 603-8
 - ACCEPTS CRIMP CONTACTS 188746-1 O R 188744-1
- 5 OBSOLETE PARTS: OBSOLETE CIS STREAMLINING PER D.RENAUD/D.SINISI

THIS DRAWING IS A CONTROLLED DOCUMENT.

DIMENSIONS:	TOLERANCES UNLESS OTHERWISE SPECIFIED:
mm	
	0 PLC ±0.2
	1 PLC ±0.2
	2 PLC ±0.2
	3 PLC ±
	4 PLC ±
	ANGLES ±°
MATERIAL	FINISH
-	-

DWN	T. CORRIOU	22JUL2003
CHK	Y. PETRONIN	22JUL2003
APVD	M. FURIO	22JUL2003
PRODUCT SPEC	-	-
APPLICATION SPEC	-	-
WEIGHT	-	-
CUSTOMER DRAWING		

TE TE Connectivity

NAME: DOUBLE ROW HOUSING FOR

SIZE	CAGE CODE	DRAWING NO	RESTRICTED TO
A3	00779	C-281839	-

SCALE: 5:1 SHEET 1 OF 1 REV D