

THIS DRAWING IS UNPUBLISHED.

RELEASED FOR PUBLICATION

© COPYRIGHT - TE Connectivity Ltd.

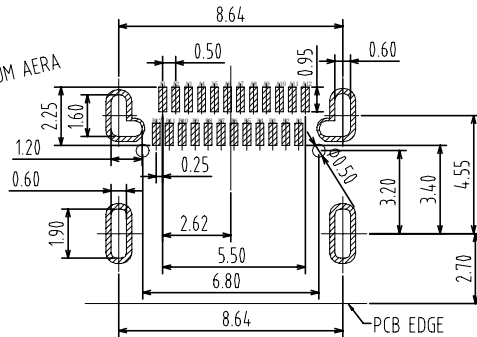
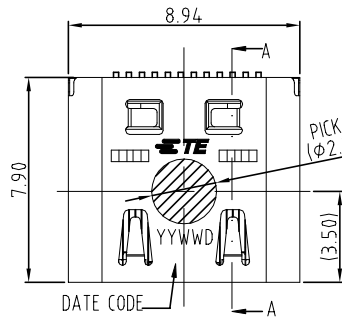
ALL RIGHTS RESERVED.

REVISIONS

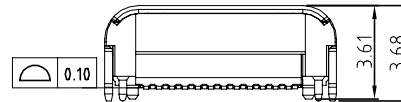
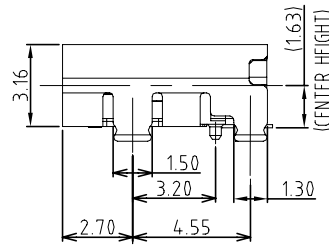
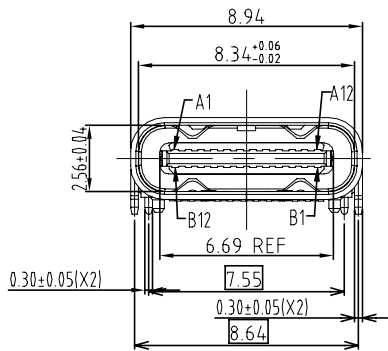
P	LTR	DESCRIPTION	DATE	DWN	APVD
	C	REVISED PER ECR-21-123132	19AUG2022	R.M	S.Z

NOTES:

- 1. MATERIALS: SEE TABLE
- 2. FINISH: SEE TABLE



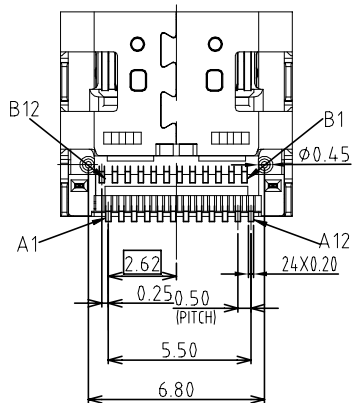
RECOMMENDED P.C.B. LAYOUT
TOLERANCE UNSPECIFIED ±0.05mm



30U"	2345986-3
15U"	2345986-2
G/F	2345986-1
GOLD PLATING THICKNESS	TEPN

PIN	SIGNAL NAME	PIN	SIGNAL NAME
A1	GND	B12	GND
A2	TX1+	B11	RX1+
A3	TX1-	B10	RX1-
A4	VBUS	B9	VBUS
A5	CC1	B8	SBU2
A6	DP1	B7	DN2
A7	DN1	B6	DP2
A8	SBU1	B5	CC2
A9	VBUS	B4	VBUS
A10	RX2-	B3	TX2-
A11	RX2+	B2	TX2+
A12	GND	B1	GND

NO.	DESCRIPTION	MATERIAL	REMARKS	QTY
6	SHELL	STAINLESS STEEL	NI Plated	1PCS
5	SHIELDING PLATE	STAINLESS STEEL	---	1PCS
4	CLIP HOOK	STAINLESS STEEL	NI Plated	1PCS
3	CONTACT	COPPER ALLOY	Au PLATING /NI Plated	1SET
2	CONTACT	COPPER ALLOY	Au PLATING /NI Plated	1SET
1	HOUSING	HIGH TEMPERATURE PLASTIC	BLACK	1PCS



THIS DRAWING IS A CONTROLLED DOCUMENT.

DIMENSIONS: mm	TOLERANCES UNLESS OTHERWISE SPECIFIED: 0 PLC ± - 1 PLC ± 0.35 2 PLC ± 0.25 3 PLC ± 0.15 4 PLC ± - ANGLES ± 3'	DWN R.ZHANG 30OCT2018 CHK R.MA 30OCT2018 APVD S.LI 30OCT2018		
		NAME	USB TYPE C 3.1 CONN. WITH 1.63 OFFSET TOP MOUNT DUAL ROW SMT TYPE	
MATERIAL	FINISH	APPLICATION SPEC	SIZE	RESTRICTED TO
-	-	-	A3 00779	-
CUSTOMER DRAWING		WEIGHT	CAGE CODE	DRAWING NO
		-	00779	2345986
		SCALE	SHEET	REV
		1:1	1 OF 2	C

4

3

2

1

THIS DRAWING IS UNPUBLISHED.

RELEASED FOR PUBLICATION

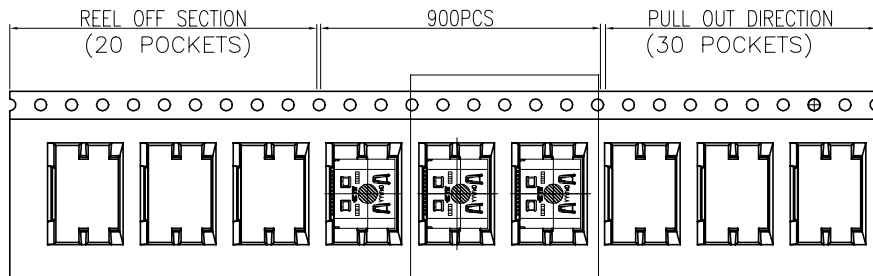
-. - .

© COPYRIGHT - TE Connectivity Ltd.

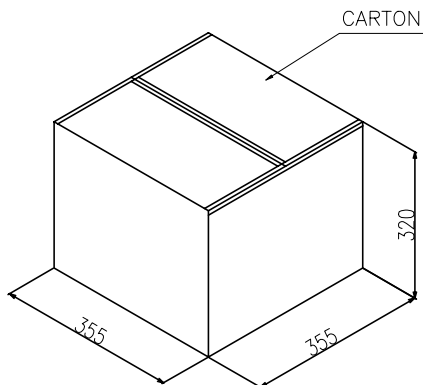
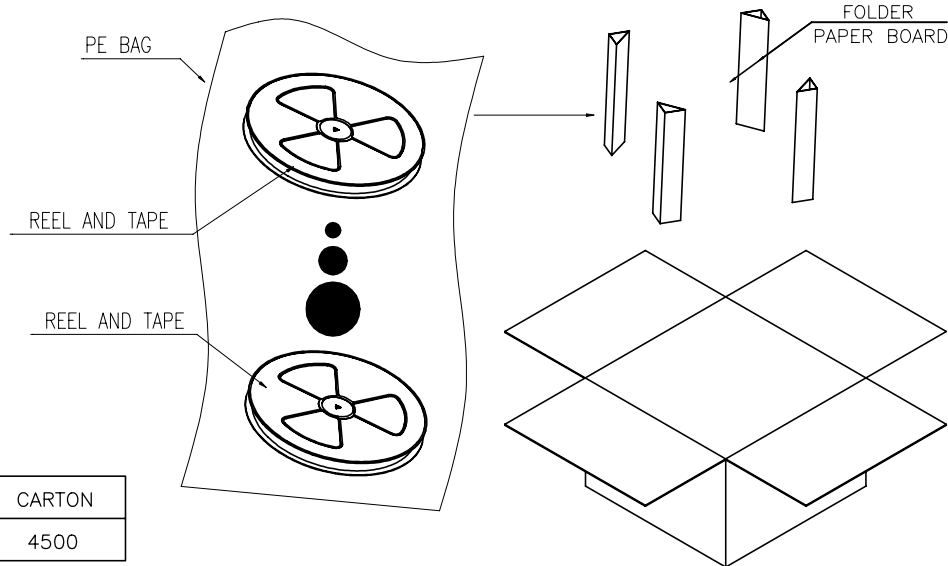
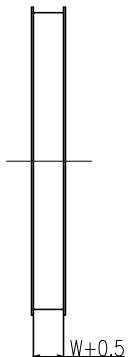
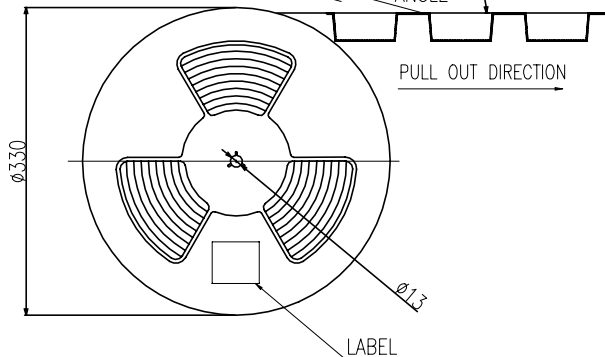
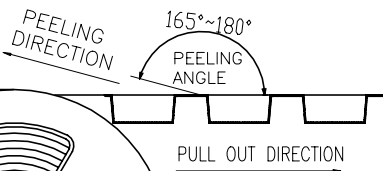
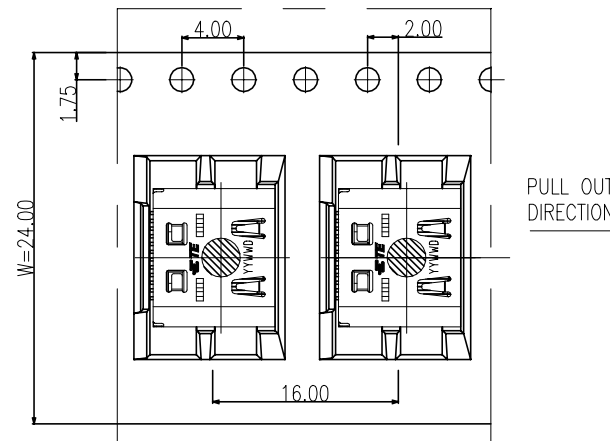
ALL RIGHTS RESERVED.

REVISIONS

P	LTR	DESCRIPTION	DATE	DWN	APVD
-	-	SEE SHEET 1	-	-	-



SEE DETAIL X



	REEL	CARTON
CONNECTOR (PCS)	900	4500

THIS DRAWING IS A CONTROLLED DOCUMENT.

DWN	R.ZHANG	30OCT2018		USB TYPE C 3.1 CONN. WITH 1.63 OFFSET TOP MOUNT DUAL ROW SMT TYPE
CHK	R.MA	30OCT2018		
APVD	S.LI	30OCT2018		
PRODUCT SPEC	-	-		
APPLICATION SPEC	-	-	NAME	
WEIGHT	-	-	SIZE	A3
CUSTOMER DRAWING	SCALE 1:1		CAGE CODE	00779
			DRAWING NO	G=2345986
			RESTRICTED TO	-
			SHEET	2 of 2
			REV	C