

THIS DRAWING IS UNPUBLISHED.

RELEASED FOR PUBLICATION

ALL RIGHTS RESERVED.

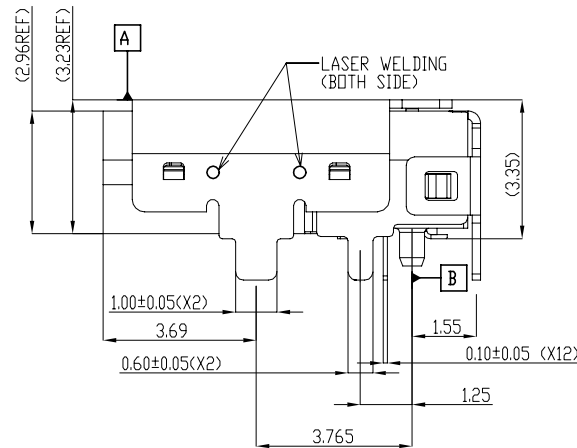
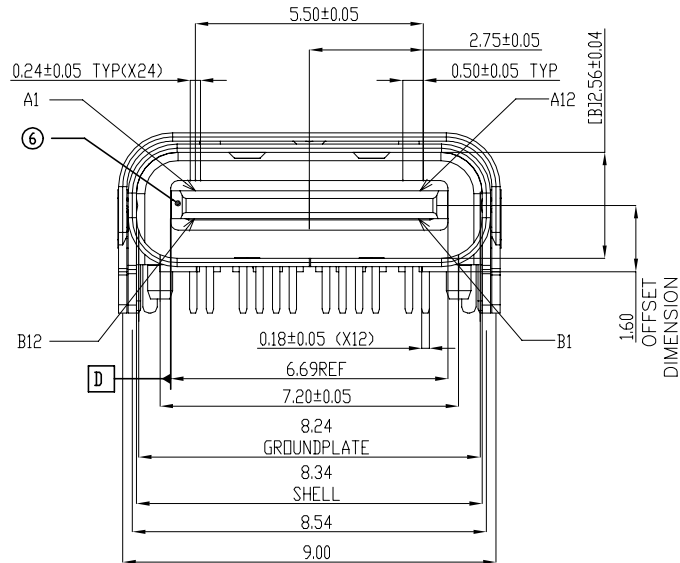
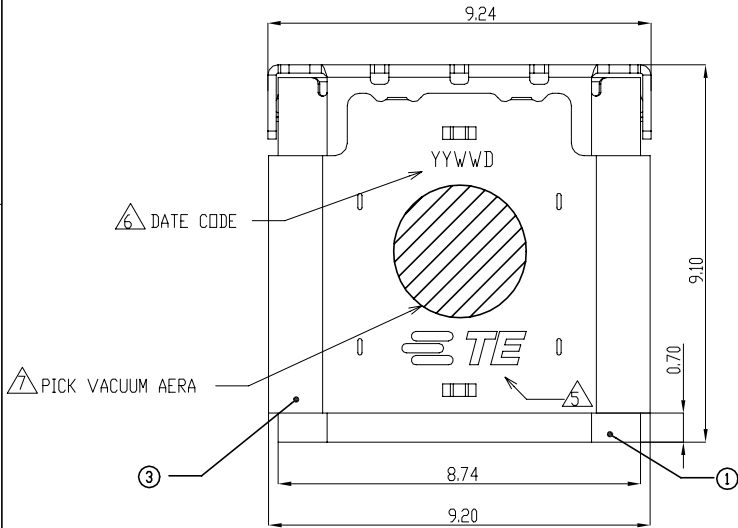
© COPYRIGHT - TE Connectivity Ltd.

REVISIONS

P	LTR	DESCRIPTION	DATE	DWN	APVD
A1		REVISED PER ECR-21-118253	22OCT2021	R.M	S.Z

2338792-1 ; AS SHOWN

- 1.MATERIAL :
- SHELL : STAINLESS STEEL
  - OUTER SHELL : STAINLESS STEEL
  - GROUND PLATE : STAINLESS STEEL
  - DOWN-CONTACT : COPPER ALLOY
  - UP-CONTACT : COPPER ALLOY
  - HOUSING : HIGH TEMPERATURE THERMO PLASTIC, BLCBK, UL94V-0
- 2.FINISH :
- CONTACT : ALL OVER NI PLATING(1.27um)MIN
  - CONTACT AREA AU PLATING(0.762um)MIN
  - SOLDERTAIL AREA TIN PLATING(0.762um)MIN
  - SHELL : ALL OVER NI PLATING(1.27um)MIN
  - OUTER SHELL : ALL OVER NI PLATING(1.27um)MIN
3. RECOMMENDED P.C.B THICKNESS : 0.85~0.95mm
4. WAVE SOLDER CAPABLE TO 265°C PER TE SPEC. 109-202, CONDITION B.
- △ TE LOGO
  - △ DATE CODE YYWWD (YY: YEAR, WW: WEEK, D: DAY)
  - △ VACUUM AREA



Q'TY	NAME	ITEM
1	SHELL	①
1	OUTER SHELL	③
1	GROUND PLATE	③
12	DOWN-CONTACT	④
12	UP-CONTACT	⑤
1	MAIN I/M	⑥

2338792-1  
PART NUMBER

THIS DRAWING IS A CONTROLLED DOCUMENT.

DWN RAMBO ZHANG 08OCT2018	 TE Connectivity	USB TYPE C 3.1 CONNECTOR RECEPTACLE TOP MOUNT HYBRID TYPE WITH 1.60mm OFFSET		
CHK RICHARD MA 08OCT2018		NAME	RESTRICTED TO	
APVD SIMON LI 08OCT2018		PRODUCT SPEC	SIZE	CAGE CODE
APPLICATION SPEC		108-115150	DRAWING NO	00779
MATERIAL		WEIGHT	0.61 GRAMS	
DIMENSIONS: mm		CUSTOMER DRAWING		
TOLERANCES UNLESS OTHERWISE SPECIFIED:		SCALE	1:1	
0 PLC ± - 1 PLC ± 0.3 2 PLC ± 0.2 3 PLC ± 0.15 4 PLC ± - ANGLES ± 3'		SHEET	1 OF 4	
FINISH		REV	A1	

PIN NO.	A1	A2	A3	A4	A5	A6	A7	A8	A9	A10	A11	A12
SIGNAL NAME	GND	SSTXp1	SSTXn1	VBUS	CC1	Dp1	Dn1	SBU1	VBUS	SSRXn2	SSRXp2	GND
PIN NO.	B12	B11	B10	B9	B8	B7	B6	B5	B4	B3	B2	B1
SIGNAL NAME	GND	SSRXp1	SSRXn1	VBUS	SBU2	Dn2	Dp2	CC2	VBUS	SSTXn2	SSTXp2	GND

THIS DRAWING IS UNPUBLISHED.

RELEASED FOR PUBLICATION

-. - .

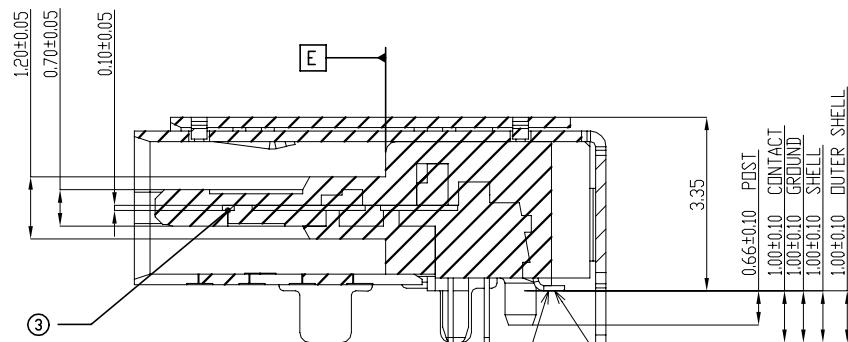
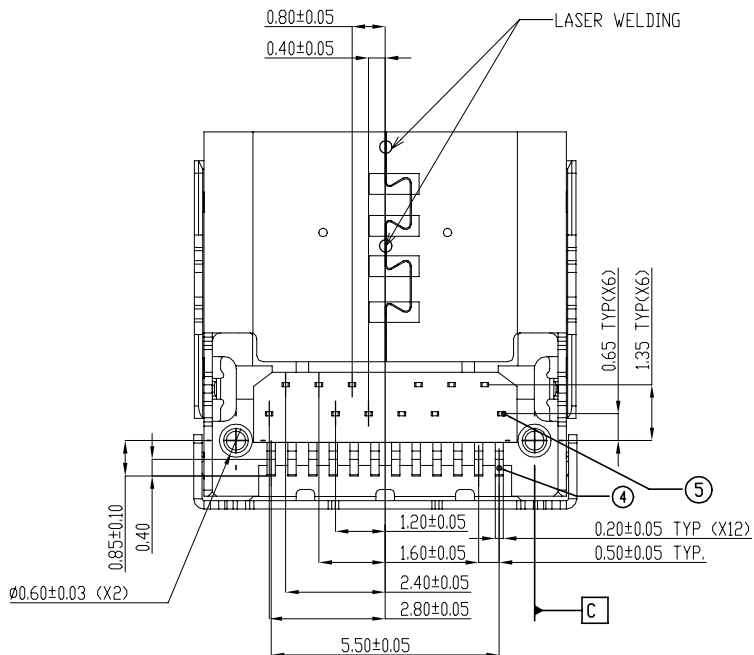
© COPYRIGHT - TE Connectivity Ltd.

ALL RIGHTS RESERVED.


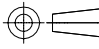
REVISIONS

P	LTR	DESCRIPTION	DATE	DWN	APVD
-	-	SEE SHEET 1	-	-	-

2338792-1 ; AS SHOWN



SECTION A-A  
 Coplanarity 0.08 Max(B,R)  
 Coplanarity 0.10 Max(A,R)  
 PCB SURFACE

THIS DRAWING IS A CONTROLLED DOCUMENT.		DWN 08OCT2018 RAMBO ZHANG	 TE Connectivity			
		CHK 08OCT2018 RICHARD MA				
DIMENSIONS: mm		APVD 08OCT2018 SIMON LI	NAME USB TYPE C 3.1 CONNECTOR RECEPTACLE TOP MOUNT HYBRID TYPE WITH 1.60mm OFFSET			
		PRODUCT SPEC 108-115150				
TOLERANCES UNLESS OTHERWISE SPECIFIED:		APPLICATION SPEC -	SIZE	CAGE CODE	DRAWING NO	RESTRICTED TO
0 PLC ± -		WEIGHT 0.61 GRAMS	A3	00779	C=2338792	-
1 PLC ± 0.3		CUSTOMER DRAWING				
2 PLC ± 0.2		SCALE 1:1	SHEET 2 OF 4	REV A1		
3 PLC ± 0.15						
4 PLC ± -						
ANGLES ± 3'						
MATERIAL -	FINISH -					

THIS DRAWING IS UNPUBLISHED.

RELEASED FOR PUBLICATION

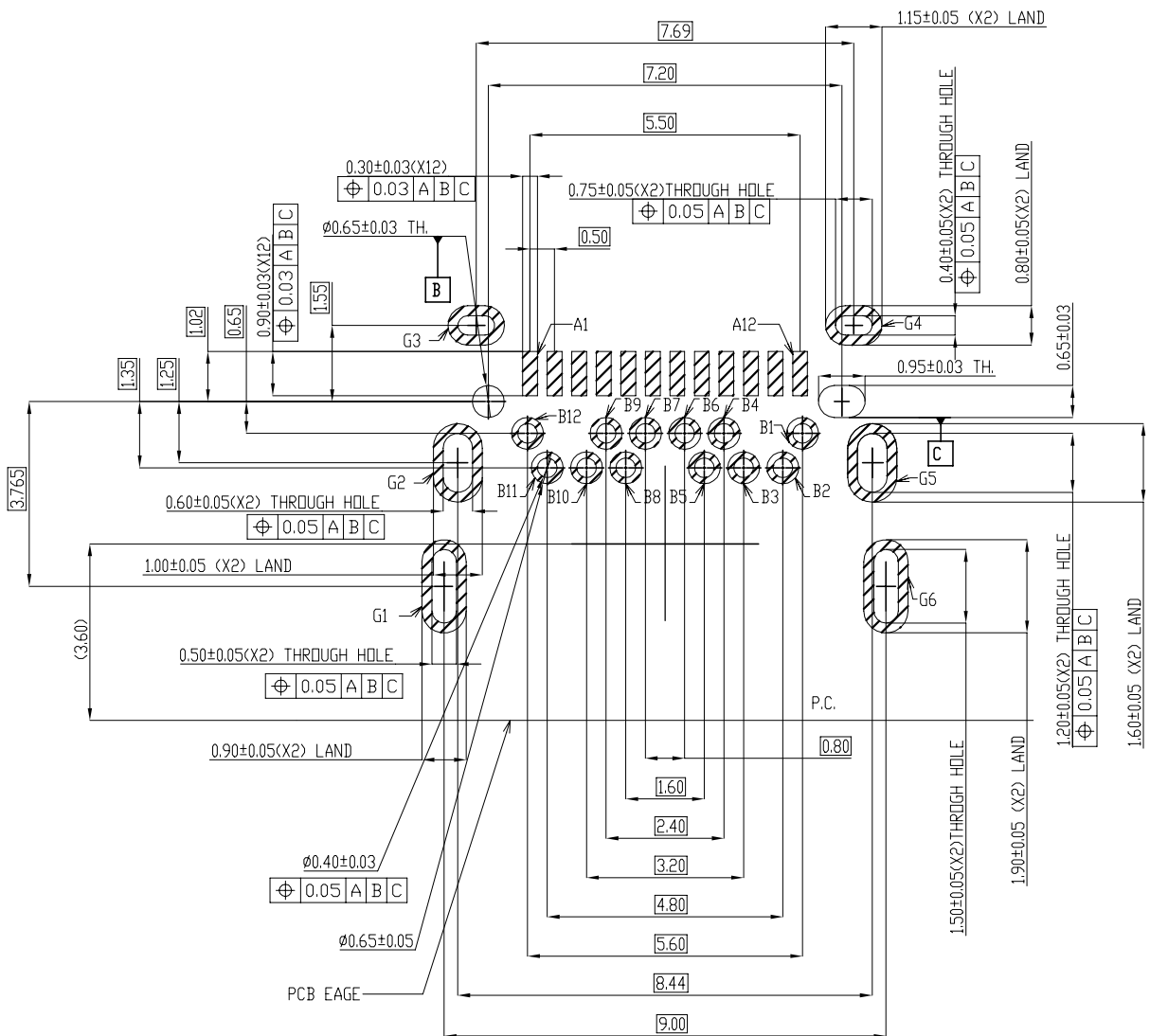
-. - .

© COPYRIGHT - TE Connectivity Ltd.

ALL RIGHTS RESERVED.

REVISIONS

P	LTR	DESCRIPTION	DATE	DWN	APVD
-	-	SEE SHEET 1	-	-	-



RECOMMENDED PCB LAYOUT  
THICKNESS IS 0.90mm  
TOLERANCE ±0.05

THIS DRAWING IS A CONTROLLED DOCUMENT.

DIMENSIONS: mm		TOLERANCES UNLESS OTHERWISE SPECIFIED:	
		0 PLC	± -
		1 PLC	± 0.3
		2 PLC	± 0.2
		3 PLC	± 0.15
		4 PLC ANGLES	± -
MATERIAL		FINISH	
-		-	

DWN	RAMBO ZHANG	08OCT2018
CHK	RICHARD MA	08OCT2018
APVD	SIMON LI	08OCT2018
PRODUCT SPEC	108-115150	
APPLICATION SPEC	-	
WEIGHT	0.61 GRAMS	A3 00779
CUSTOMER DRAWING		



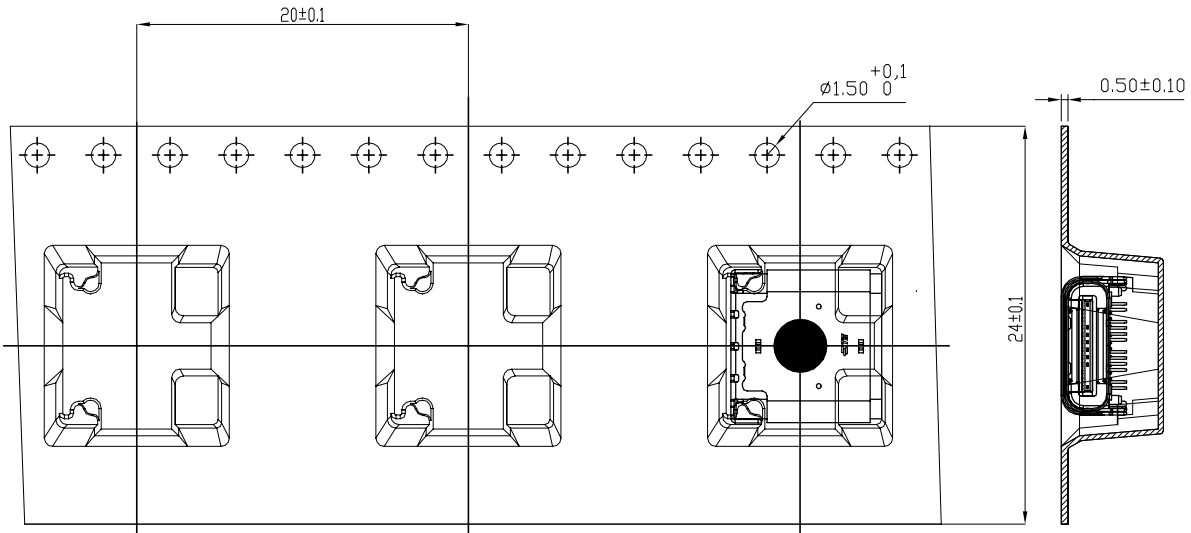
TE Connectivity

NAME  
USB TYPE C 3.1 CONNECTOR RECEPTACLE  
TOP MOUNT HYBRID TYPE WITH 1.60mm OFFSET

SIZE	CAGE CODE	DRAWING NO	RESTRICTED TO
A3	00779	C=2338792	-
SCALE	SHEET	REV	
1:1	3 OF 4	A1	

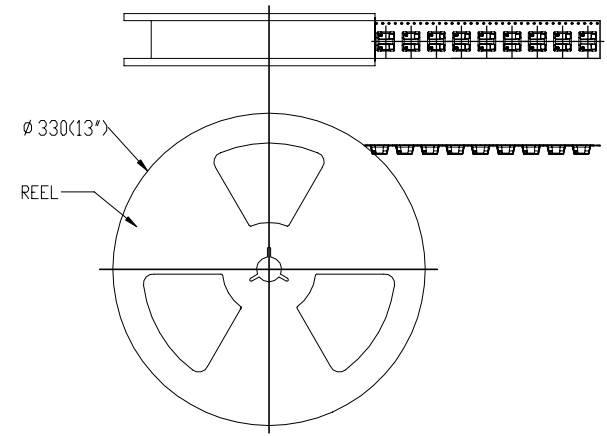
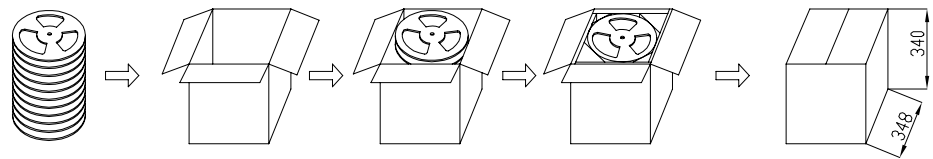
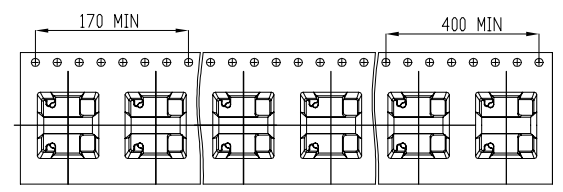
THIS DRAWING IS UNPUBLISHED. RELEASED FOR PUBLICATION  
 © COPYRIGHT - TE Connectivity Ltd. ALL RIGHTS RESERVED.

REVISIONS					
P	LTR	DESCRIPTION	DATE	DWN	APVD
-	-	SEE SHEET 1	-	-	-



- NOTES:
- 1.P/N: P-ZA-142600
  - 2.USED ON USB TYPE C RECEP.CONNECTOR PRODUCTS.
  - 3.PACKAGE:550PCS/REEL, 10REELS/BOX
  - 4.MATERIAL:TRANSPARENT CONDUCTIVE POLYSTYRENE ALLOY
  - 5.APPLICABLE DOCUMENTS:EIA - 481-D
  - 6.AFTER UNREELING DIRECTION MUST HAVE 11PCS BLANK.(170mm Min)
  - 7.BEFORE UNREELING DIRECTION MUST HAVE 25PCS BLANK.(400mm Min)

USER FEED DIRECTION



THIS DRAWING IS A CONTROLLED DOCUMENT.		DWN RAMBO ZHANG 08OCT2018	TE Connectivity		
		CHK RICHARD MA 08OCT2018			
DIMENSIONS: mm		APVD SIMON LI 08OCT2018	NAME USB TYPE C 3.1 CONNECTOR RECEPTACLE TOP MOUNT HYBRID TYPE WITH 1.60mm OFFSET		
		PRODUCT SPEC 108-115150	RESTRICTED TO		
TOLERANCES UNLESS OTHERWISE SPECIFIED:		APPLICATION SPEC	SIZE A3		
0 PLC ± -		WEIGHT 0.61 GRAMS	CAGE CODE 00779	DRAWING NO C=2338792	REV A1
1 PLC ± 0.3		CUSTOMER DRAWING			SCALE 1:1
2 PLC ± 0.2		SCALE 1:1			SHEET 4 OF 4
3 PLC ± 0.15					
4 PLC ± -					
ANGLES ± 3'					
MATERIAL					
FINISH					