

THIS DRAWING IS UNPUBLISHED RELEASED FOR PUBLICATION - ,2018.

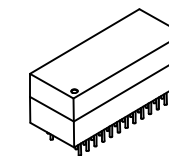
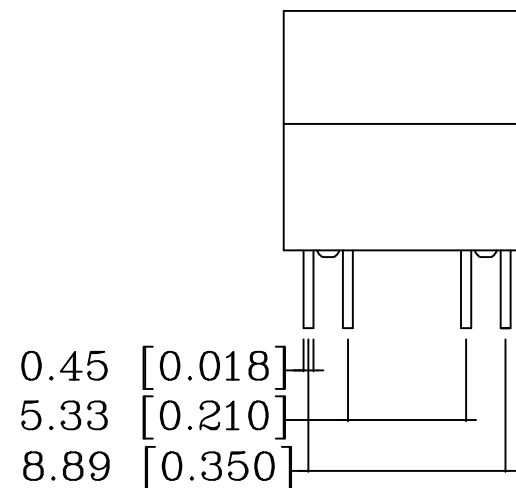
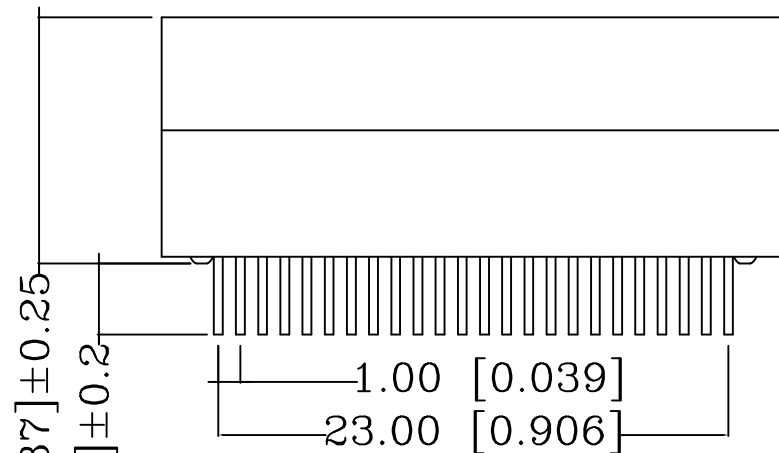
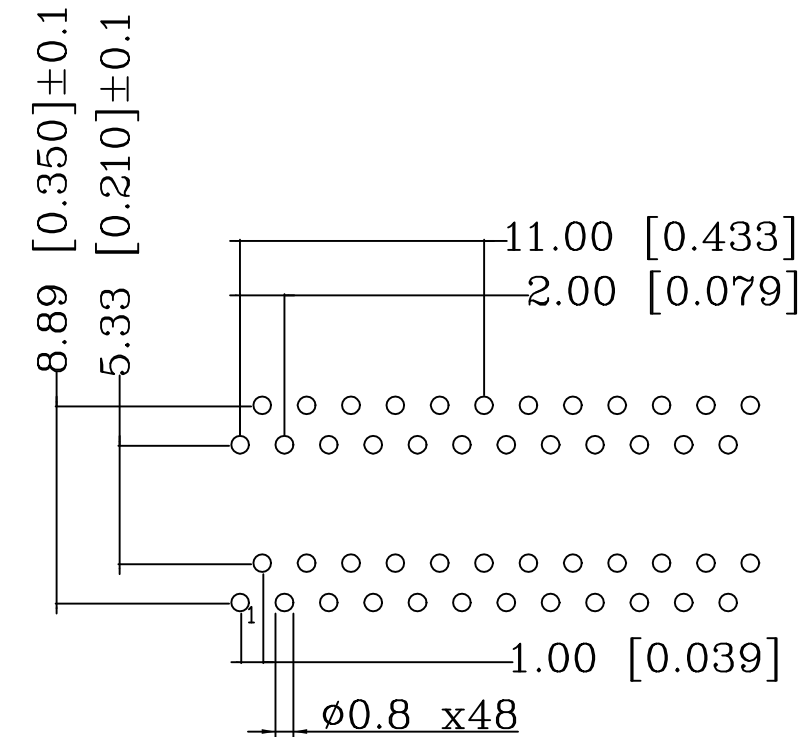
© COPYRIGHT - 2017 by TE Connectivity Germany GmbH ALL RIGHTS RESERVED.

REVISIONS

P	LTR	DESCRIPTION	DATE	DWN	APVD
	A1	NEW RELEASE	20DEC2018	GCM	JDB

- ⚠ Material:
 COVER : Black PF2A5-151J, UL-94-V0
 HEADER : Black PF2A5-151J, UL-94-V0
 SOLDER PIN: CP WIRE
 SOLDER PIN PLATING: 4 μm (157 μinch) MIN. 100% TIN,
 8 μm (315 μinch) MIN. COPPER OVER ALL
- 2 THE PART IS RECOMMENDED FOR WAVE SOLDERING PROCESS
 SOLDERING: TEMPERATURE +260 ±5 °C, 10 ±1 s
- 3 OPERATING TEMPERATURE: T= -40 °C TO +85 °C
 4 STORAGE TEMPERATURE: T= -40 °C TO +85 °C
 5 DC CURRENT/VOLTAGE RATING-PSE PINS: 720mA @57V(CONTINUOUS)
 6 MEET IEEE 802.3at REQUIRMENT
- ⚠ UNLESS OTHERWISE SPECIFIED, SEE TABLE FOR ALL DIMENSIONS TOLERANCES
 8 PACKAGING: REEL (T+R) ACCORDING TO PACKAGING SPECIFICATION 107-18128

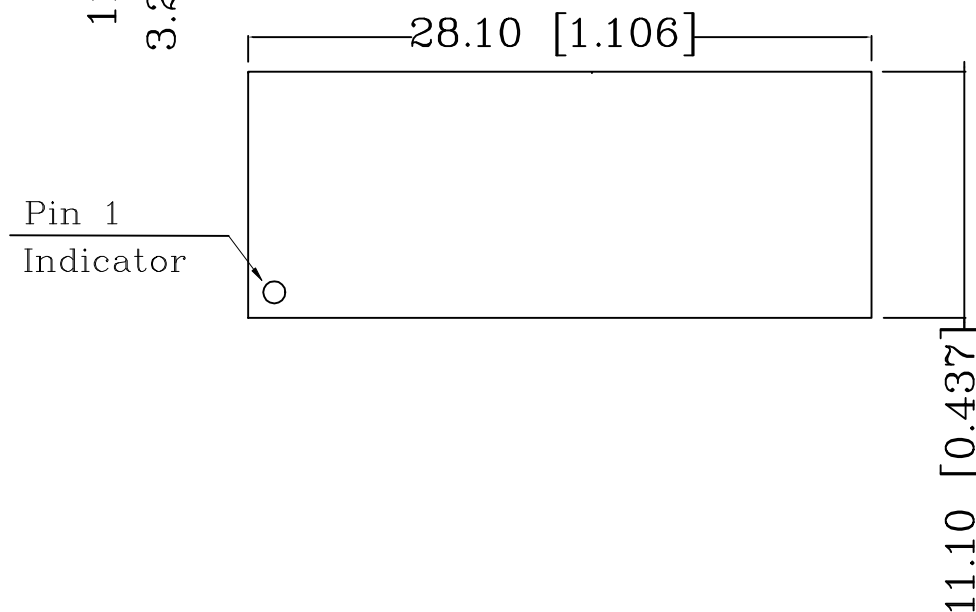
SUGGESTED PCB LAYOUT



1:1

⚠ TABLE OF TOLERANCE (mm)

RANGE	TOLERANCE
0-10	±0.15
>10-40	±0.25
>40-70	±0.30
>70	±0.40

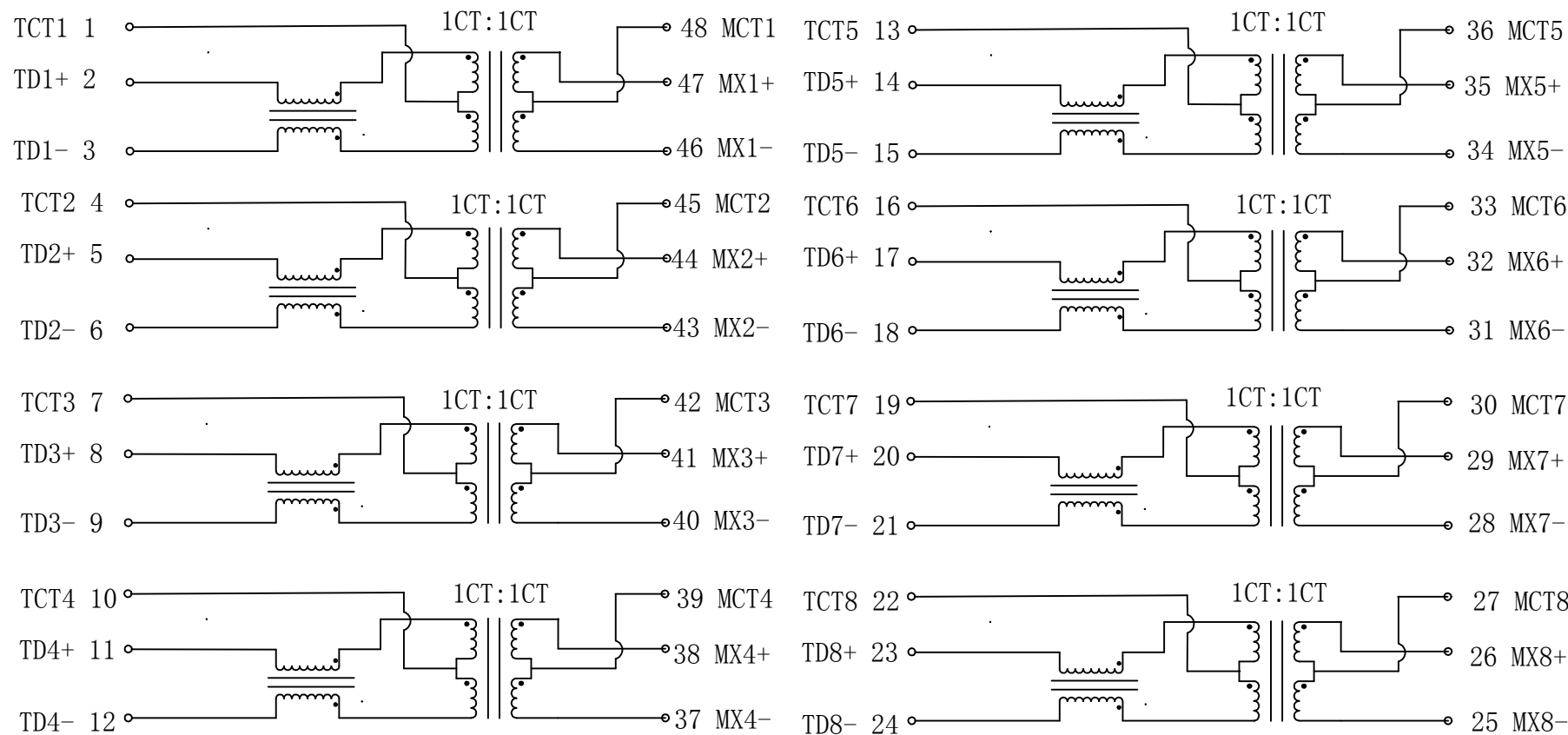


THIS DRAWING IS A CONTROLLED DOCUMENT.		DWN GANESH C M 20DEC2018	TE Connectivity				
DIMENSIONS: mm [INCHES]		CHK A.C. NGOUMGANG 20DEC2018					
TOLERANCES UNLESS OTHERWISE SPECIFIED:		APVD J. DE BRUIJN 20DEC2018	NAME DISCR.ETH.MAG. 1GB DUAL THT POE				
0 PLC ± - 1 PLC ± - 2 PLC ± - 3 PLC ± - 4 PLC ± - ANGLES ± -		PRODUCT SPEC 108-94693	SIZE A3	CAGE CODE 00779	DRAWING NO C=2337825-4	RESTRICTED TO -	
MATERIAL 1		FINISH 1	CUSTOMER DRAWING		SCALE 4:1	SHEET 1 of 2	REV A1

REVISIONS

P	LTR	DESCRIPTION	DATE	DWN	APVD
-	-	SEE SHEET 1	-	-	-

CIRCUIT DIAGRAM



Electrical Specifications @ 25 °C (Unless other specified meet IEEE 802.3 Specification)		
Turn Ratio	1CT:1CT ±2%	
Inductance (OCL) @100kHz/0.1V with 8mA DC Bias	350 µH min.	
Insertion Loss	0.1-100MHz	-1 dB max.
	1-30MHz	-18 dB min.
Return Loss (Zout = 100 OHMS)	40MHz	-14.4 dB min.
	50MHz	-13.1 dB min.
	80MHz	-12 dB min.
	100MHz	-10 dB min.
Crosstalk	30MHz	-40 dB min.
	60MHz	-35 dB min.
	100MHz	-30 dB min.
DCMR	30MHz	-40 dB min.
	60MHz	-35 dB min.
	100MHz	-30 dB min.
Isolation Voltage (Input - Output)	1500 Vrms	



CONTROL CODE

DATE CODE

"0213"

YY-YEAR

WW-WEEK

THIS DRAWING IS A CONTROLLED DOCUMENT.		DWN GANESH C M 20DEC2018	TE Connectivity DISCR.ETH.MAG. 1GB DUAL THT POE	
DIMENSIONS: mm [INCHES]		CHK A.C. NGOUMGANG 20DEC2018		
TOLERANCES UNLESS OTHERWISE SPECIFIED:		APVD J. DE BRUIJN 20DEC2018	NAME	
0 PLC ± - 1 PLC ± - 2 PLC ± - 3 PLC ± - 4 PLC ± - ANGLES ± -		PRODUCT SPEC 108-94693	SIZE	
MATERIAL		APPLICATION SPEC 114-94555	CAGE CODE A300779	DRAWING NO C=2337825-4
FINISH		WEIGHT	RESTRICTED TO	
1		CUSTOMER DRAWING		SCALE 4:1
1		SHEET 2 of 2		REV A1