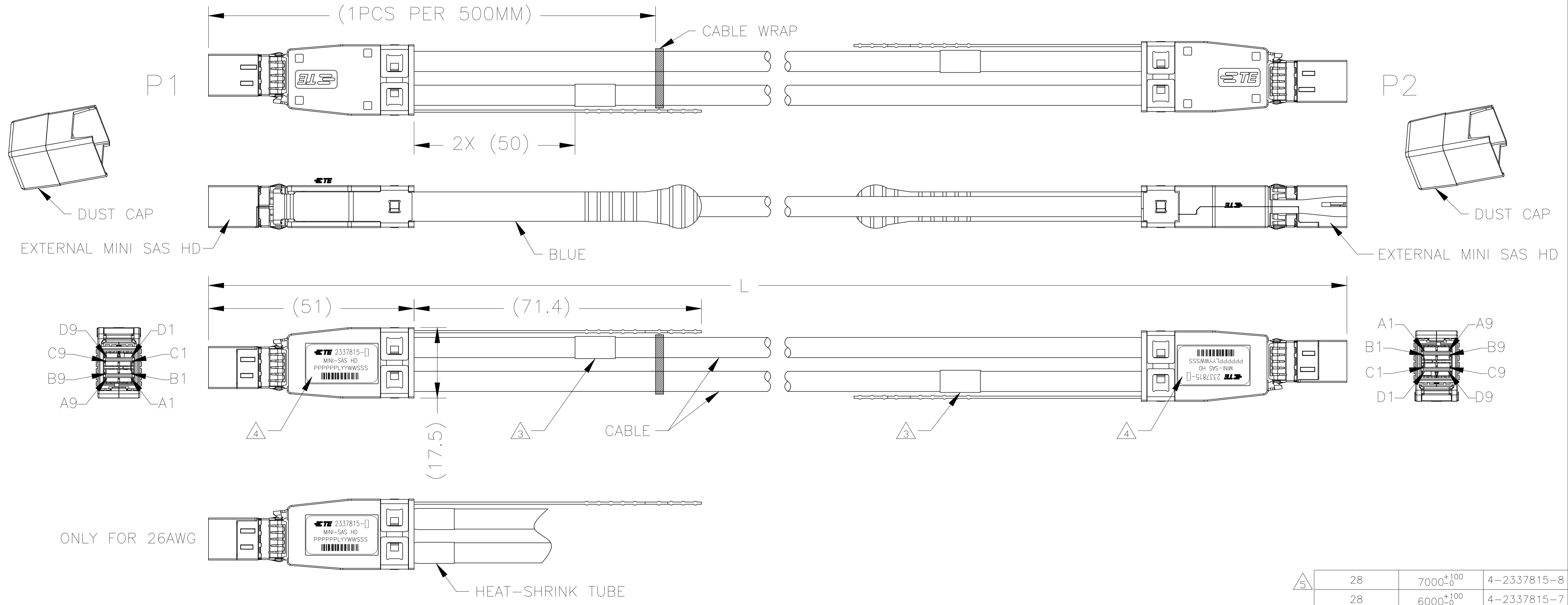
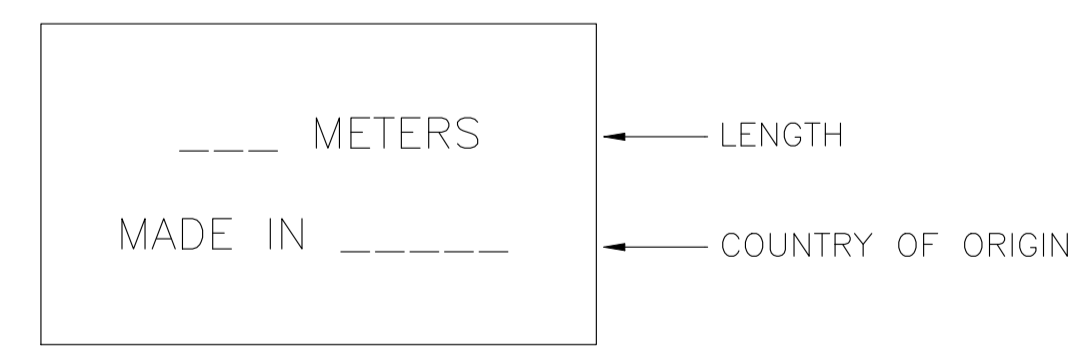


REVISIONS				
P	LTR	DESCRIPTION	DATE	APP'D
B		Revised as per ECR-23-174795 PCN-23-174854	01JUN2023	VK GL



1. ASSEMBLY TESTED FOR CONTINUITY, OPENS, SHORTS, EEPROM PROGRAM AND SIGNAL INTEGRITY.
2. ROHS AND REACH COMPLIANCE: PRODUCT AND PROCESSING MUST MEET REQUIREMENTS OF TE SPECIFICATION TEC-138-702.

△3 LABEL INFORMATION:



△4 LABEL INFORMATION:



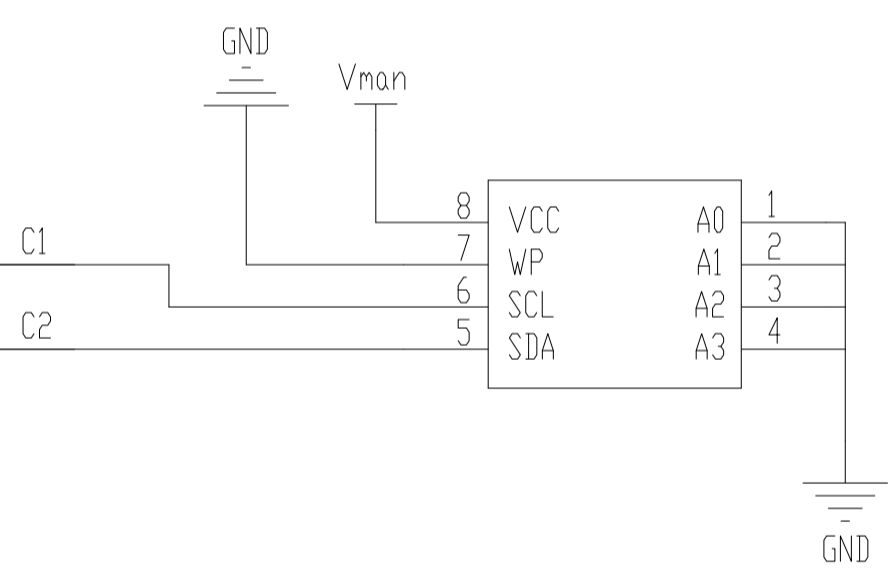
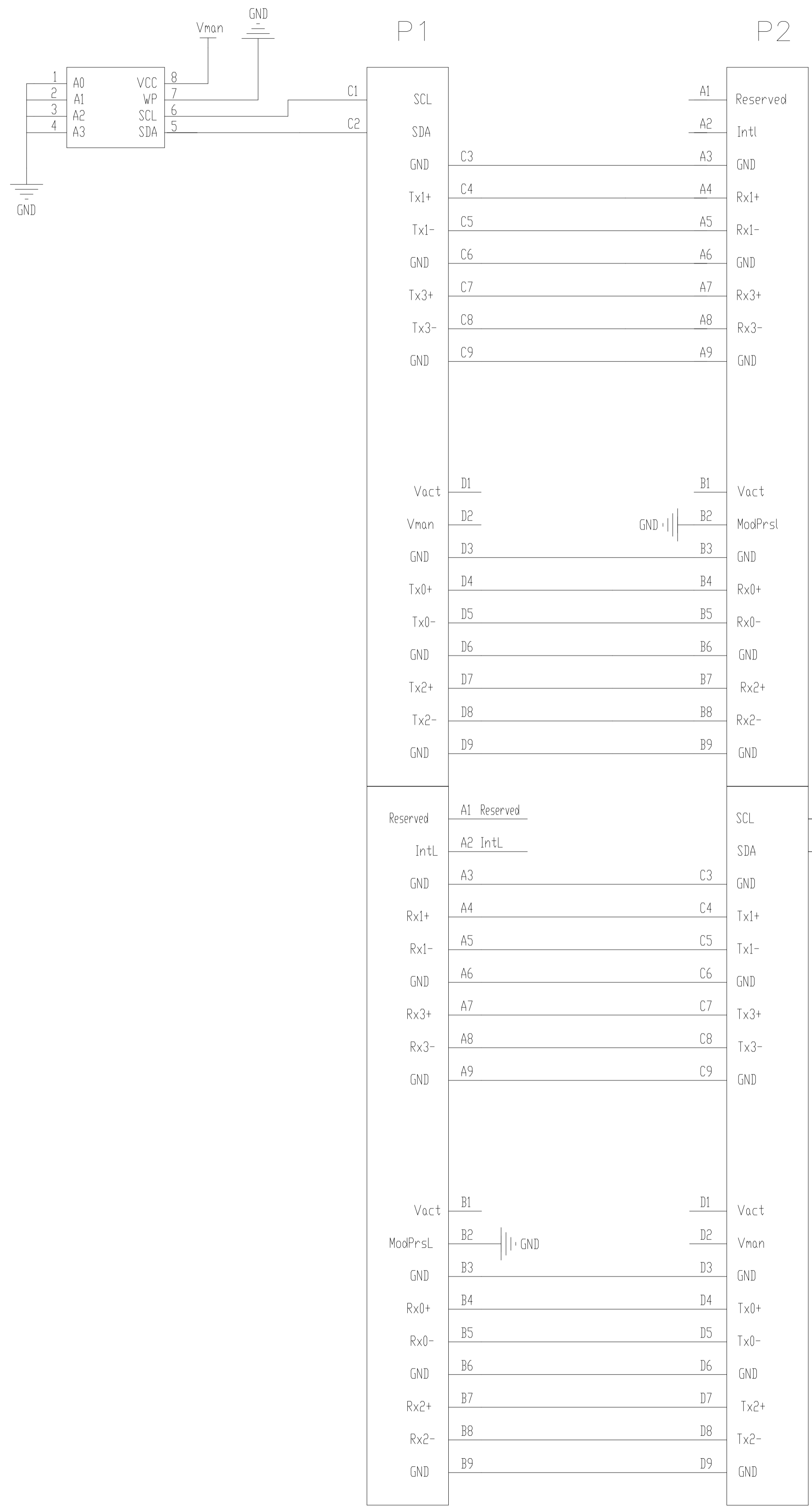
- △5 4-2337815-8 CAN NOT MEET SI SPECIFICATION OF SAS3.0.
- △6 THE RAW CABLE IS BEEN CHANGED FROM 4 PAIR 28 AWG 10G CABLE TO 4 PAIR 30 AWG 25G CABLE DUE TO UNAVAILABILITY OF 28 AWG 10G CABLE (END OF LIFE)

△5	28	7000 <sup>+100</sup> <sub>-0</sub>	4-2337815-8
	28	6000 <sup>+100</sup> <sub>-0</sub>	4-2337815-7
	28	5000 <sup>+100</sup> <sub>-0</sub>	4-2337815-6
	28	4000 <sup>+80</sup> <sub>-0</sub>	4-2337815-5
	28	3000 <sup>+80</sup> <sub>-0</sub>	4-2337815-4
	28	2000 <sup>+80</sup> <sub>-0</sub>	4-2337815-3
	28	1000 <sup>+50</sup> <sub>-0</sub>	4-2337815-2
	28	500 <sup>+50</sup> <sub>-0</sub>	4-2337815-1
△6	30	3500 <sup>+80</sup> <sub>-0</sub>	2-2337815-7
△6	30	5000 <sup>+100</sup> <sub>-0</sub>	2-2337815-6
△6	30	4000 <sup>+80</sup> <sub>-0</sub>	2-2337815-5
△6	30	3000 <sup>+80</sup> <sub>-0</sub>	2-2337815-4
△6	30	2000 <sup>+80</sup> <sub>-0</sub>	2-2337815-3
△6	30	1000 <sup>+50</sup> <sub>-0</sub>	2-2337815-2
△6	30	500 <sup>+50</sup> <sub>-0</sub>	2-2337815-1
	30	3000 <sup>+80</sup> <sub>-0</sub>	2337815-4
	30	2000 <sup>+80</sup> <sub>-0</sub>	2337815-3
	30	1000 <sup>+50</sup> <sub>-0</sub>	2337815-2
	30	500 <sup>+50</sup> <sub>-0</sub>	2337815-1
	AWG	L	PART NO.

THIS DRAWING IS A CONTROLLED DOCUMENT.

DIMENSIONS:	TOLERANCES UNLESS OTHERWISE SPECIFIED:	DIN KYLIN YAO 05JUN2018	STE
mm	0. PLC ±	CHK KYLIN YAO 05JUN2018	TE Connectivity Ltd.
	1. PLC ±	APP'D DAVID ZHANG 05JUN2018	
	2. PLC ±	NAME	MINI SAS HD TO MINI SAS HD
	3. PLC ±	PRODUCT SPEC	4X
	4. PLC ±	APPLICATION SPEC	
	ANGLES ±	SIZE	A1
MATERIAL	FINISH	WEIGHT	0
		CAGE CODE	00779
		DRAWING NO	2337815
		RESTRICTED TO	
		CUSTOMER DRAWING	
		SCALE	1:1
		SHEET	1 of 2
		REV	B

REVISIONS				
P	LTR	DESCRIPTION	DATE	APP'D
-		SEE SHEET 1	-	-



THIS DRAWING IS A CONTROLLED DOCUMENT.		DWG KYLIN YAO 05JUN2018	TE Connectivity Ltd.	
DIMENSIONS: mm		CHK KYLIN YAO 5JUN2018	NAME MINI SAS HD TO MINI SAS HD 4X	
TOLERANCES UNLESS OTHERWISE SPECIFIED: 0. PLC ± - 1. PLC ± - 2. PLC ± - 3. PLC ± - 4. PLC ± - ANGLES ± -		APP'D DAVID ZHANG 5JUN2018	APPLICATION SPEC -	
MATERIAL -		FINISH -	SIZE A1	RESTRICTED TO -
WEIGHT -		CAGE CODE 00779	DRAWING NO. 2337815	SCALE 1:1
CUSTOMER DRAWING		SHEET 2 OF 2		REV B