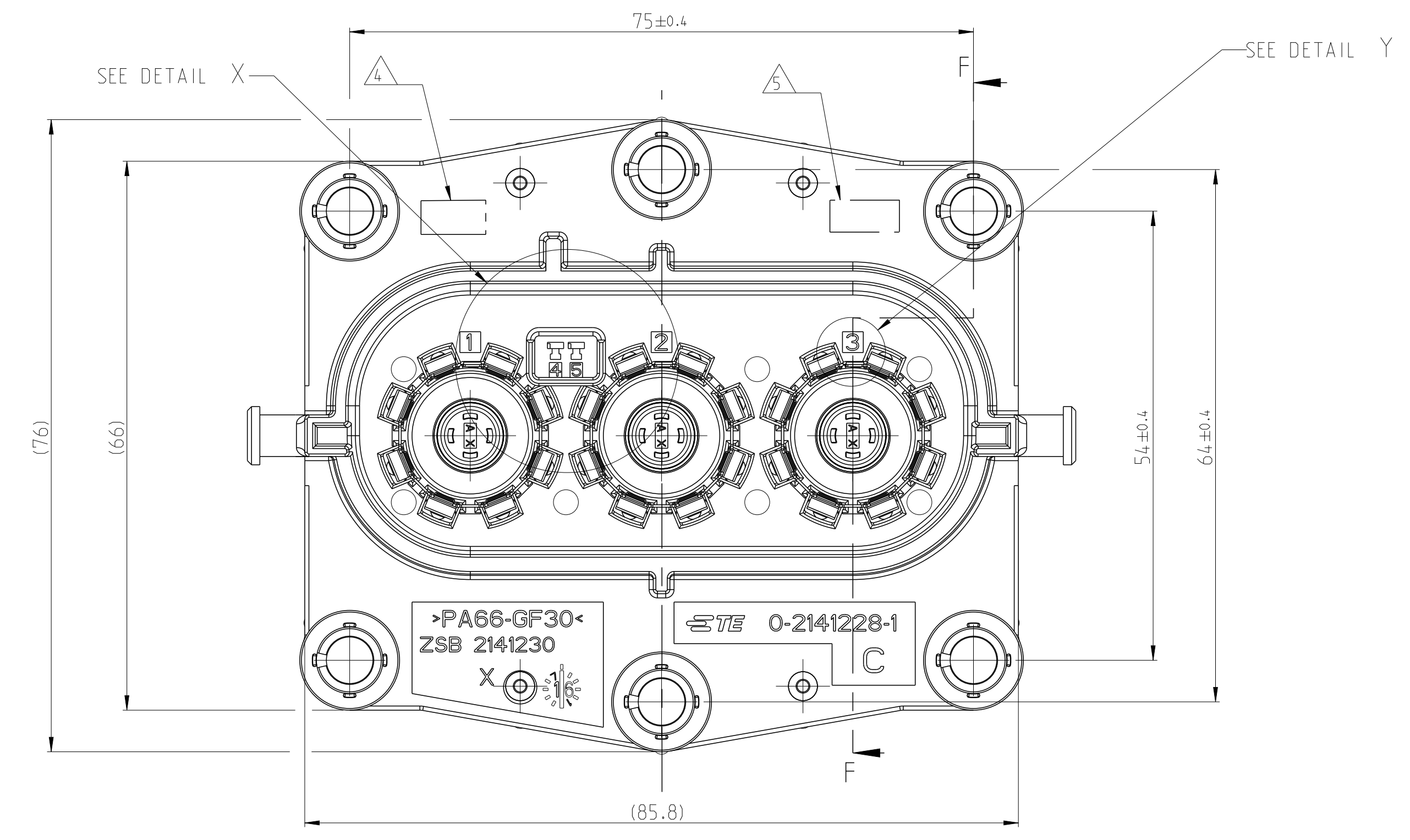
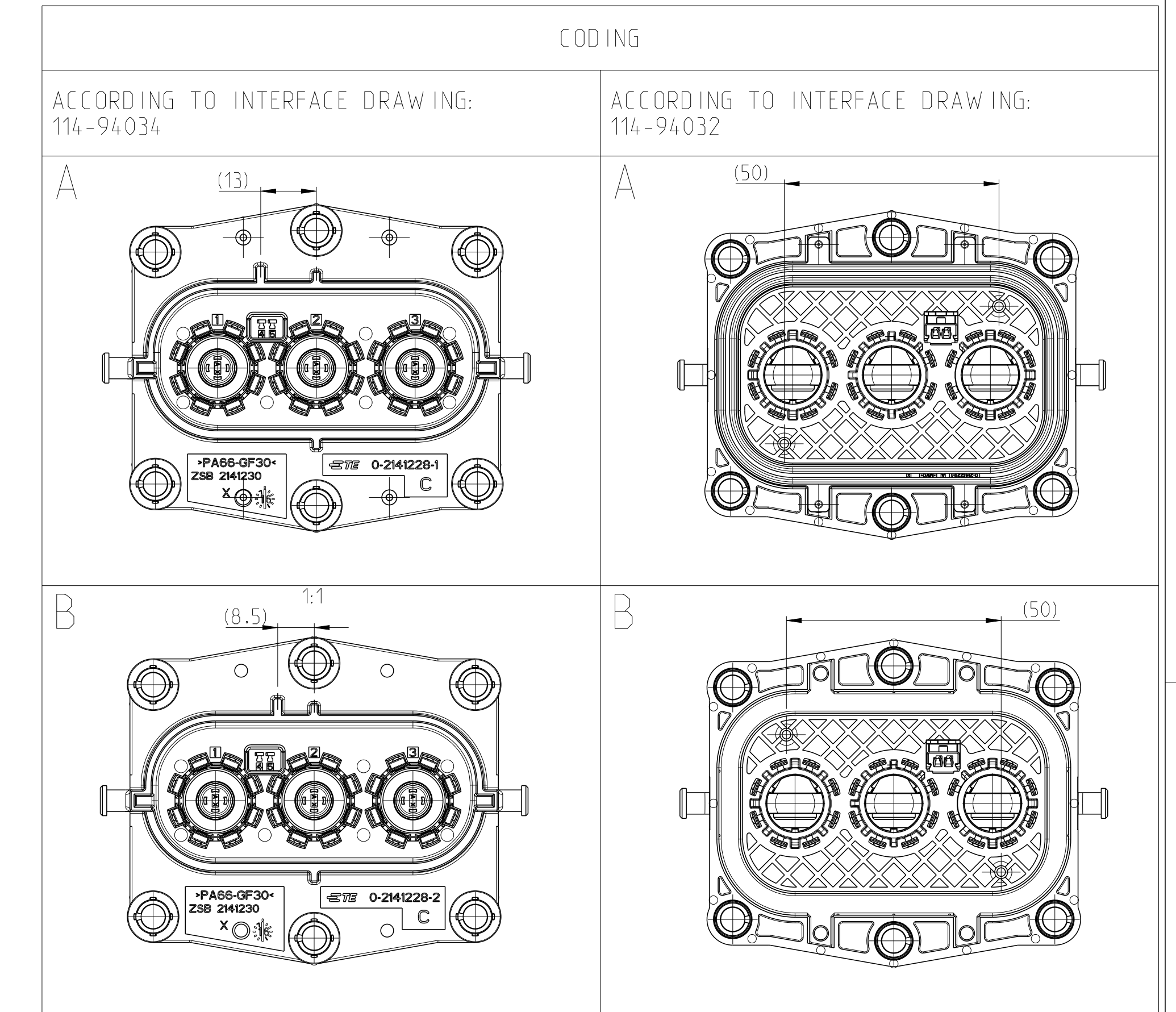
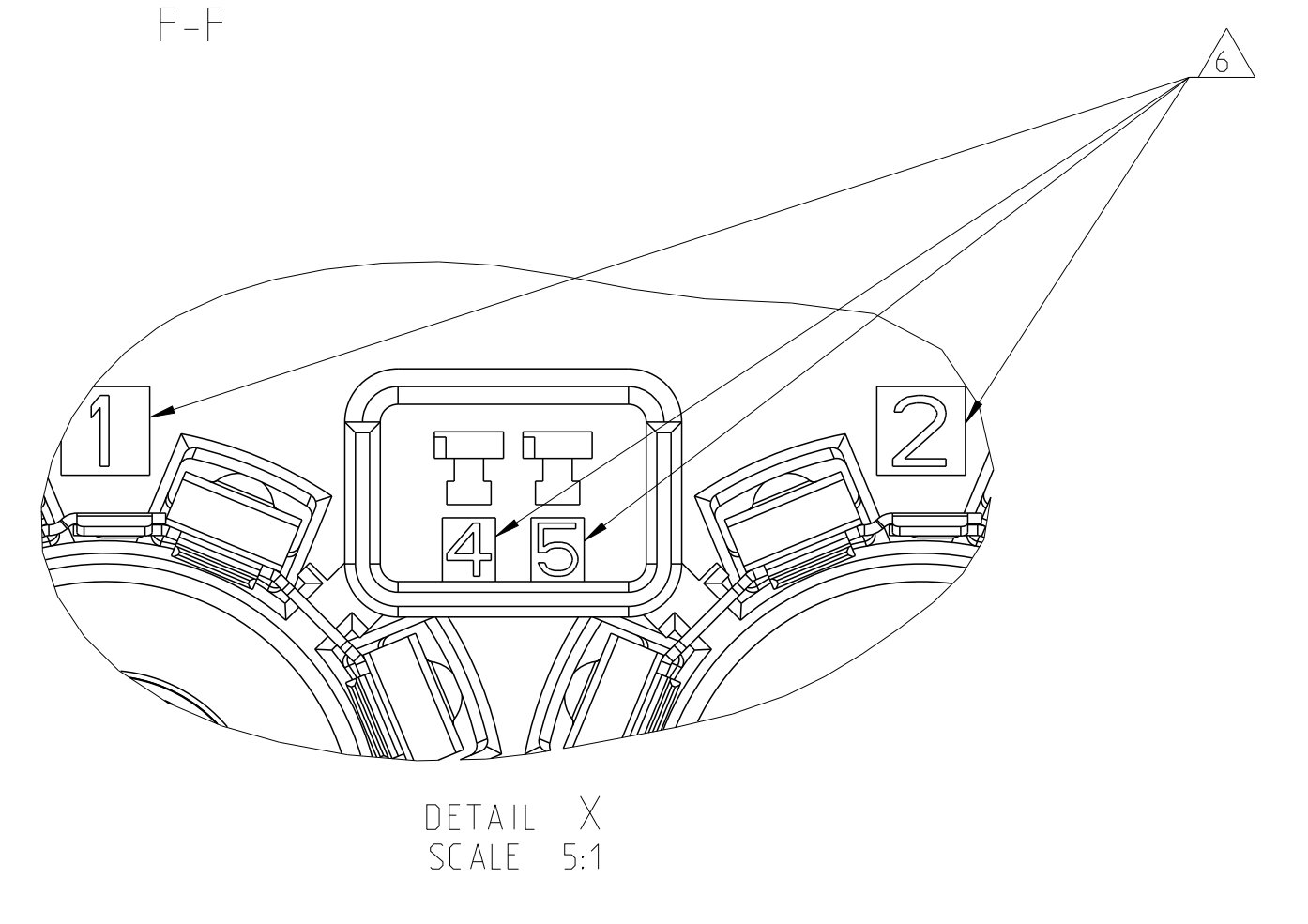
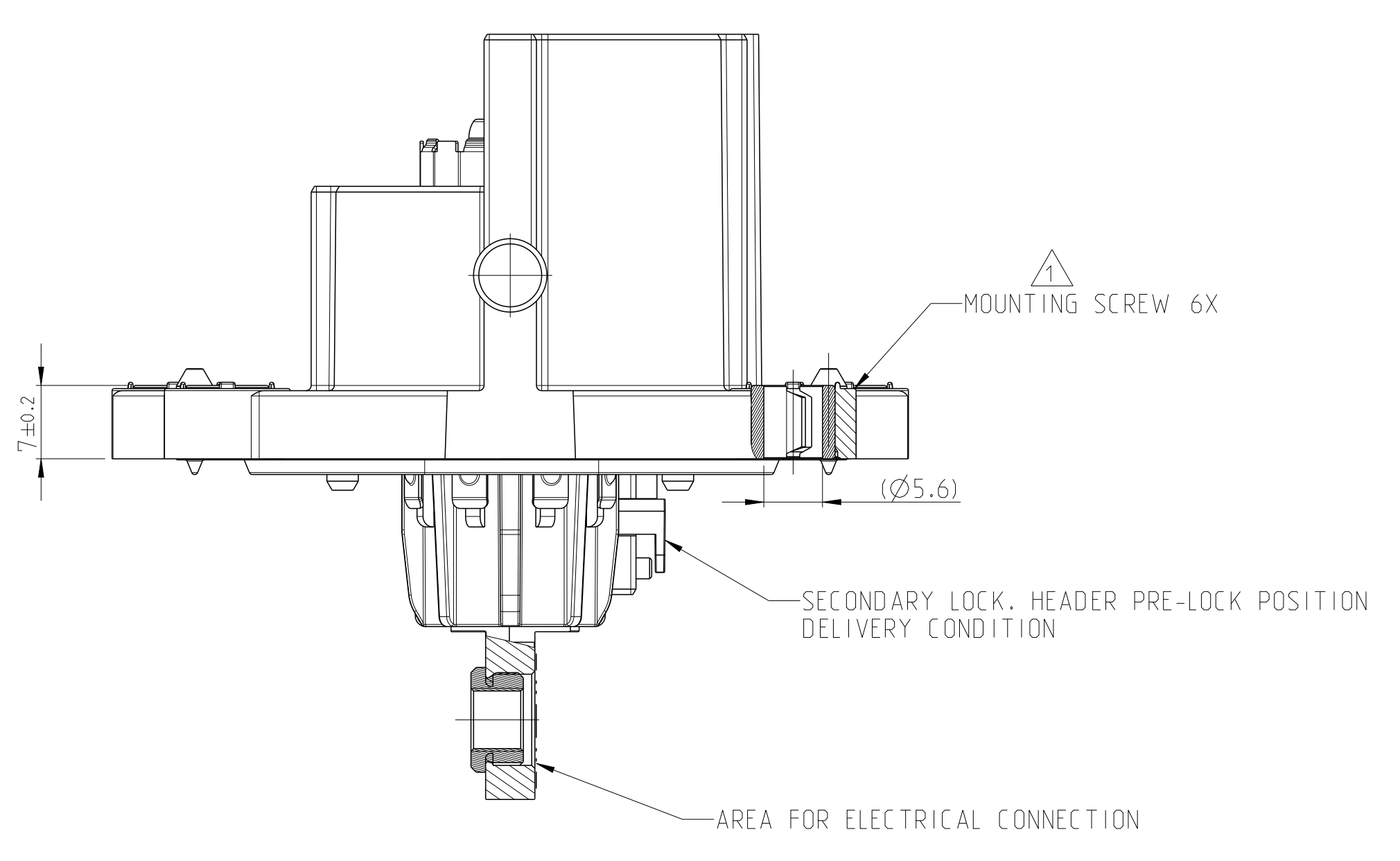
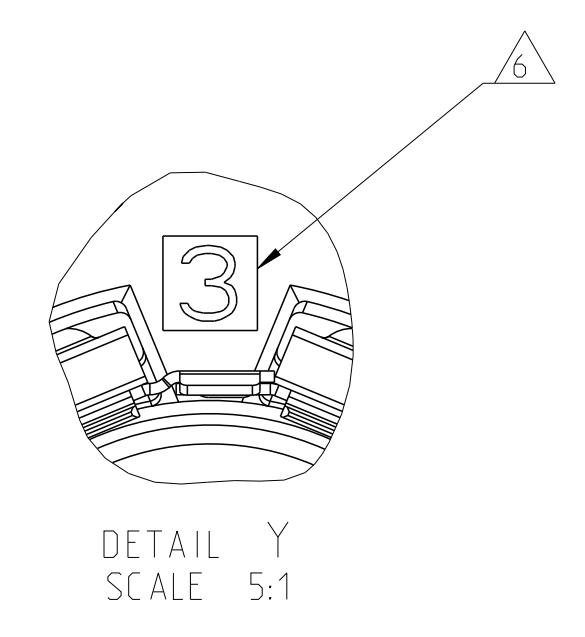
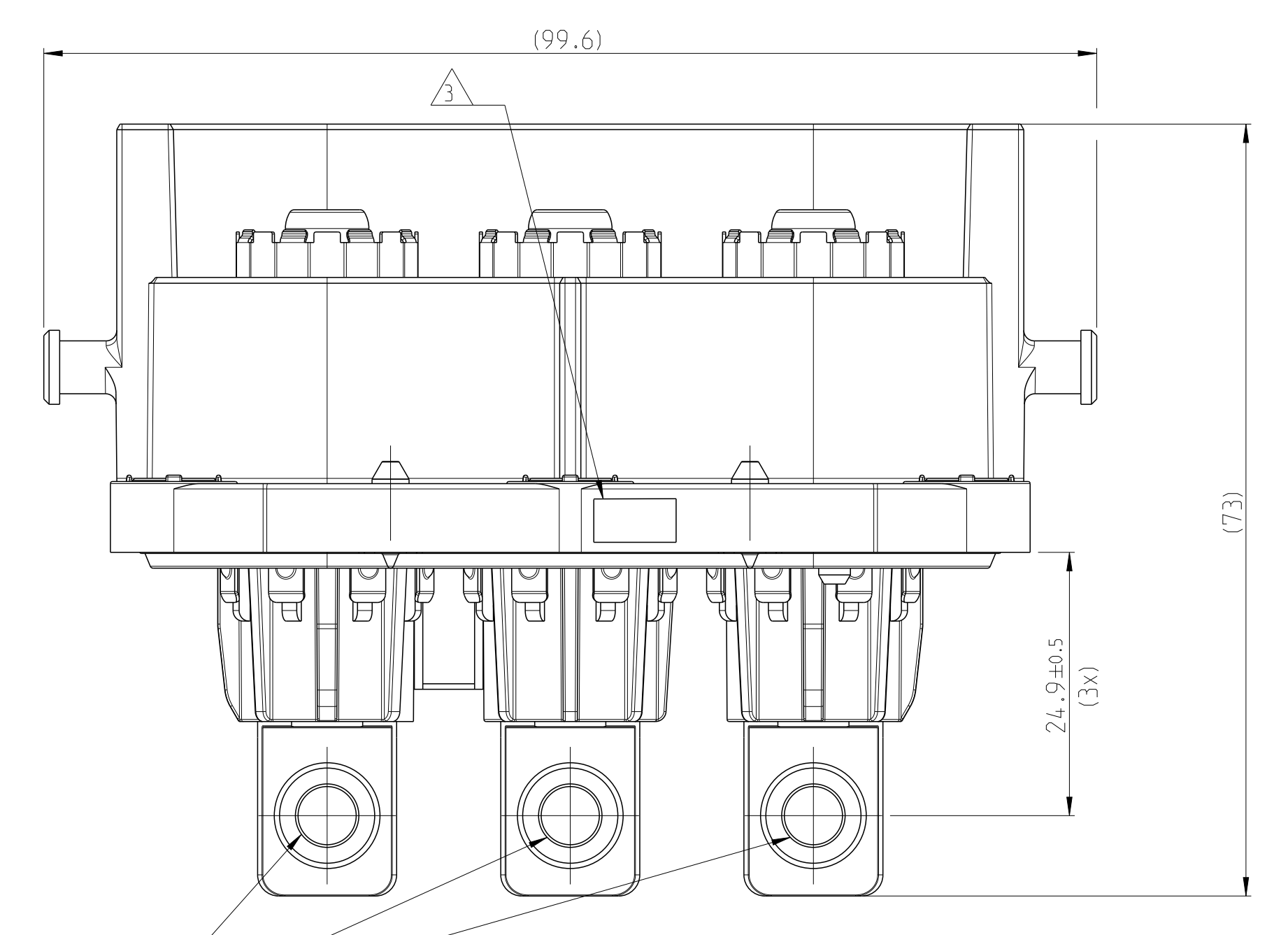
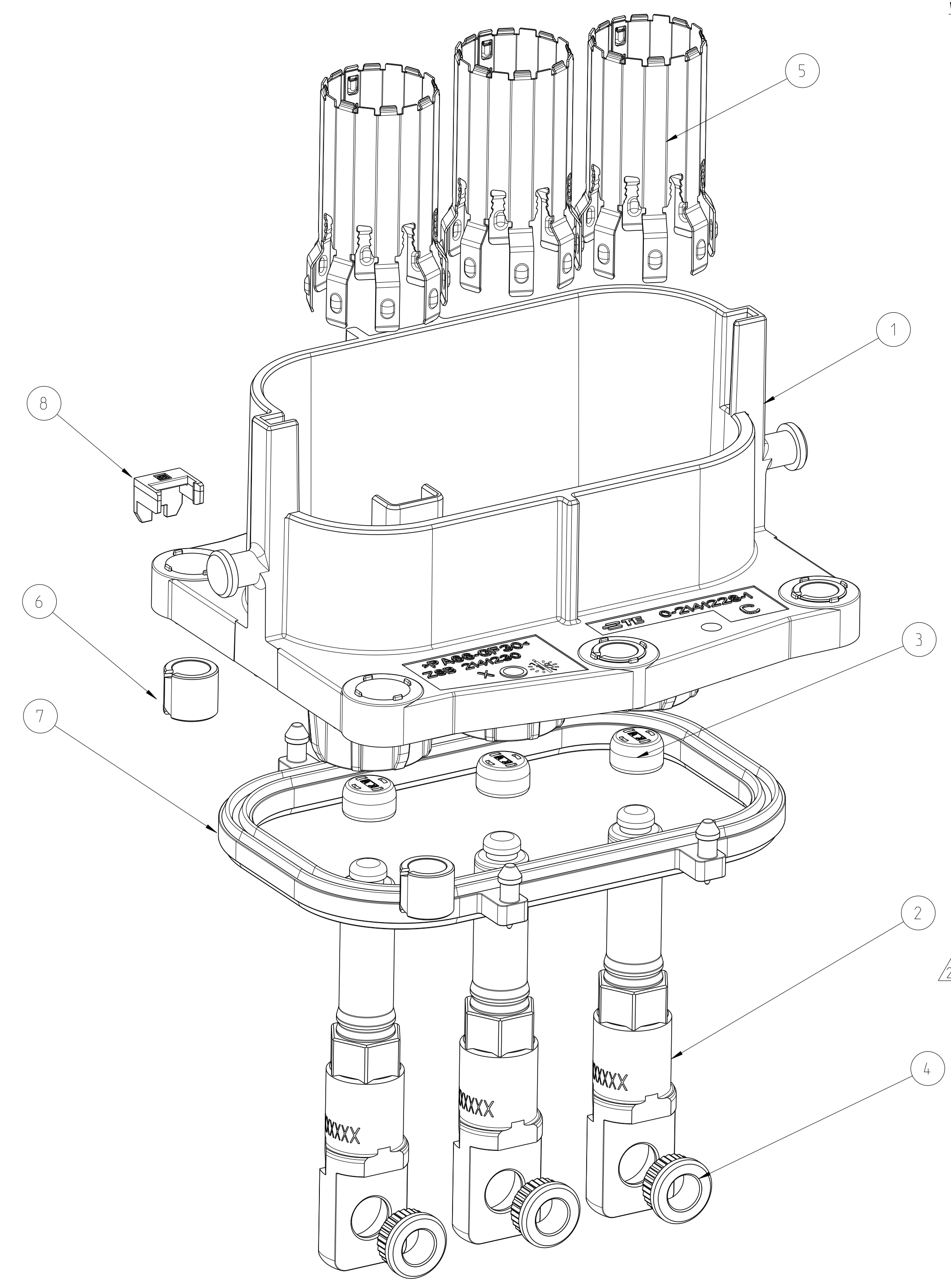


REVISIONS				
REV	DATE	BY	APPD	DESCRIPTION
A1	28NOV2017	D.J.	E.J.	REVISED ECO-18-015921
A2	08NOV2018	D.J.	E.J.	REVISED ECO-18-018300
A3	19SEP2022	L.Y.	E.J.	ECN-22-176684



- NOTES
- 1 MOUNTING SCREW Ø5MM WITH MINIMUM SCREW HEAD Ø10MM. MAXIMUM SCREW HEAD Ø12MM. RECOMMENDED TIGHTENING TORQUE OF THE 6±0.5NM SCREW THREAD ENGAGEMENT ACCORDING TO TE-DRAWING NO: 114-94032
 - 2 RECOMMENDED TIGHTENING TORQUE OF THE SCREW M6:8±1NM. A SCREW RETENTION WILL RECOMMENDED
 - 3 AREA FOR MARKING "OK PARTS"
 - 4 PRODUCTION CODE (HH:MM D/W/W/YY.)
 - 5 ASSEMBLY P/N
 - 6 CAVITY IDENTIFICATION

NOTE	FEATURE	TE P/N 90 DEG	TE P/N 180 DEG
7	MATING CONNECTOR: 3POS. 8MM HV. REC HSG. ASSY. SEALED	2325010	2327025
8	INTERFACE DRAWING 2P/3P HV. CAT.2	114-94034	
9	INTERFACE DRAWING ADAPTER PLATE 2P/3P HV 90DEG/180DEG CATEGORY 2	114-94032	
10	PRODUCT SPEC. REFER TO 108-94268/108-94297 (SLEEVE TIN PLATING SUITABLE TO OPERATION TEMPERATURE -40-125).	108-94268	108-94297
11	APPLICATION SPEC. REFER TO 114-94153	114-94153	
12	SUITABLE HVIL-CONTACTS	1418760-3	



1-2325013-1/2 AS SHOWN
 4-2325013-1/2 SEE SHEET 3

QTY PER ASSY PARTS	DESCRIPTION	MATERIAL	SURFACE COLOR	ITEM
-	2. LOCK, IL, HEADER	PA66-GF30 V0	RED	8
1	SECONDARY LOCK, HVIL, HEADER	PA6-(GF10+GB20) HB	DUSTY GRAY	
1	RADIAL SEAL 79.4 X 50	SILICON RUBBER	NATURE	7
6	COMPRESSION DELIMITER	DC02	ZnNi - PLATING	6
3	SHIELDING SLEEVE	COPPER ALLOY	PRE-TIN PLATING	5
3	M6 NUT	COPPER ALLOY	BLANK	4
-	PROTECTION COVER 8MM HV	PA66-GF30 V0	WHITE	3
-	PROTECTION COVER 8MM HV	PA66-GF30 V0	BLACK	
3	PROTECTION COVER 8MM HV	PA6-(GF10+GB20) HB	NATURE	
-	PROTECTION COVER 8MM HV	PA6-(GF10+GB20) HB	BLACK	
3	PIN DIA 8.0, PIN	COPPER ALLOY	SILVER PLATED	2
-	3POS, PIN DIA 8.0, PIN HSG, 90, SEALED	PA66-GF30 V0	ORANGE	1
-	3POS, PIN DIA 8.0, PIN HSG, 90, SEALED	PA66-GF30 V0	ORANGE	
1	3POS, PIN DIA 8.0, PIN HSG, 90, SEALED	PA66-GF30 HB	ORANGE	
-	3POS, PIN DIA 8.0, PIN HSG, 90, SEALED	PA66-GF30 HB	ORANGE	
1-2325013-2	1-2325013-1	4-2325013-2	4-2325013-1	

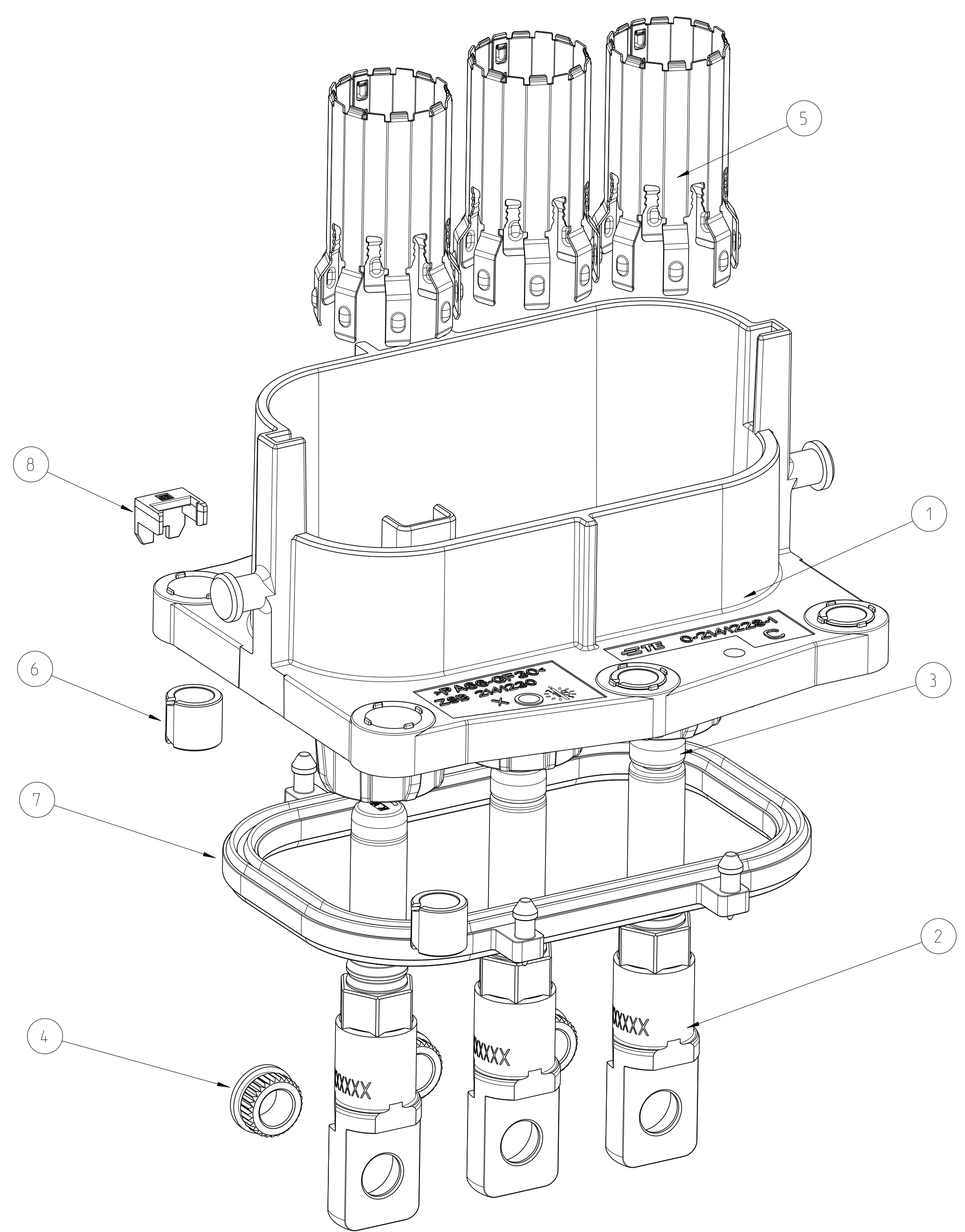
THIS DRAWING IS A CONTROLLED DOCUMENT.

DATE: 28NOV2017
 DRAWN BY: D.J.
 CHECKED BY: E. JIANG
 APPROVED BY: L.Y. LIN

STE TE Connectivity
 3POS.PIN DIA 8.0.PIN HSG.ASSY

SCALE: 2:1 SHEET 1 OF 5

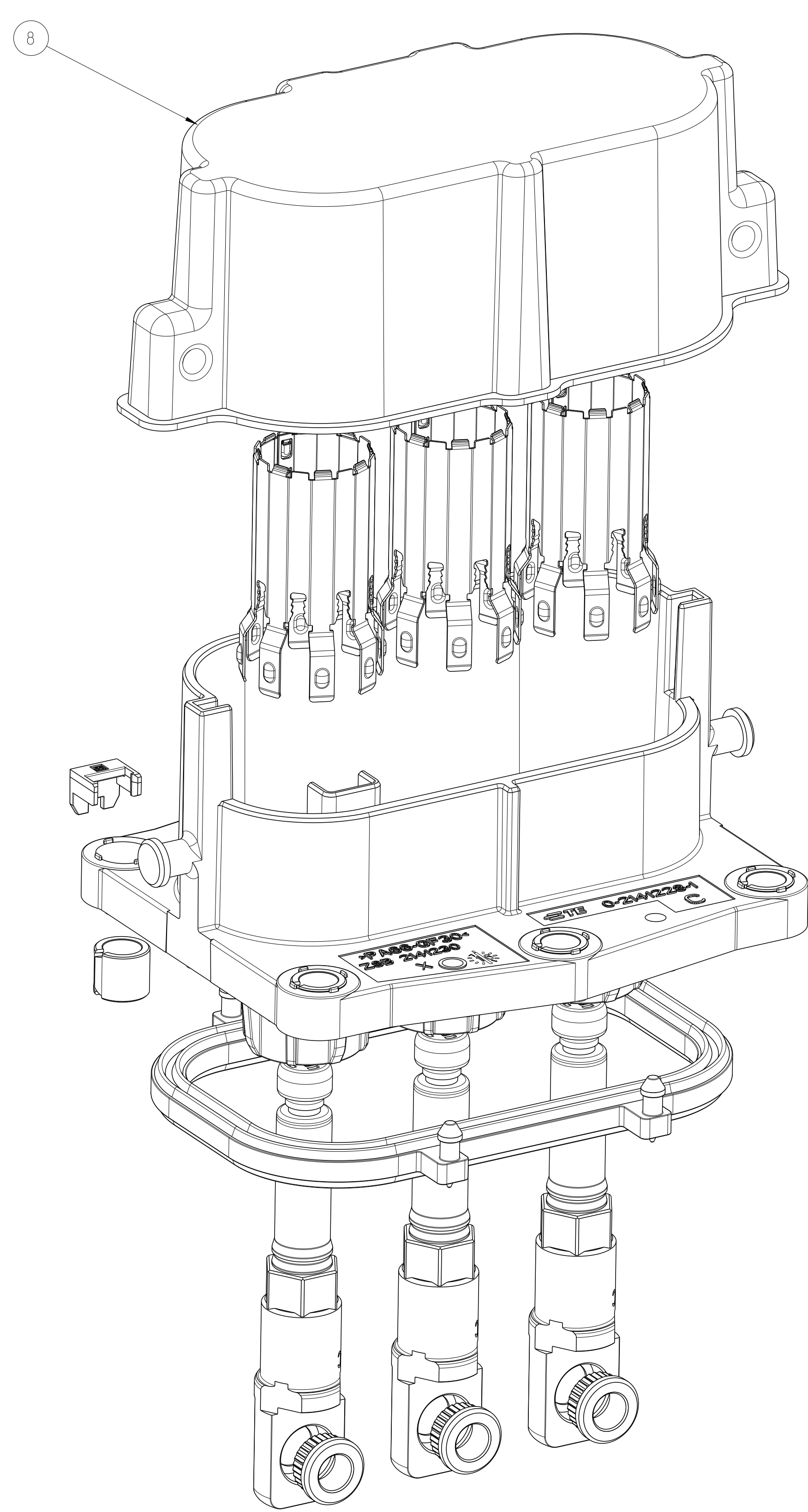
REVISIONS				
REV	DATE	DESCRIPTION	BY	APPD
-	-	SEE SHEET 1	-	-



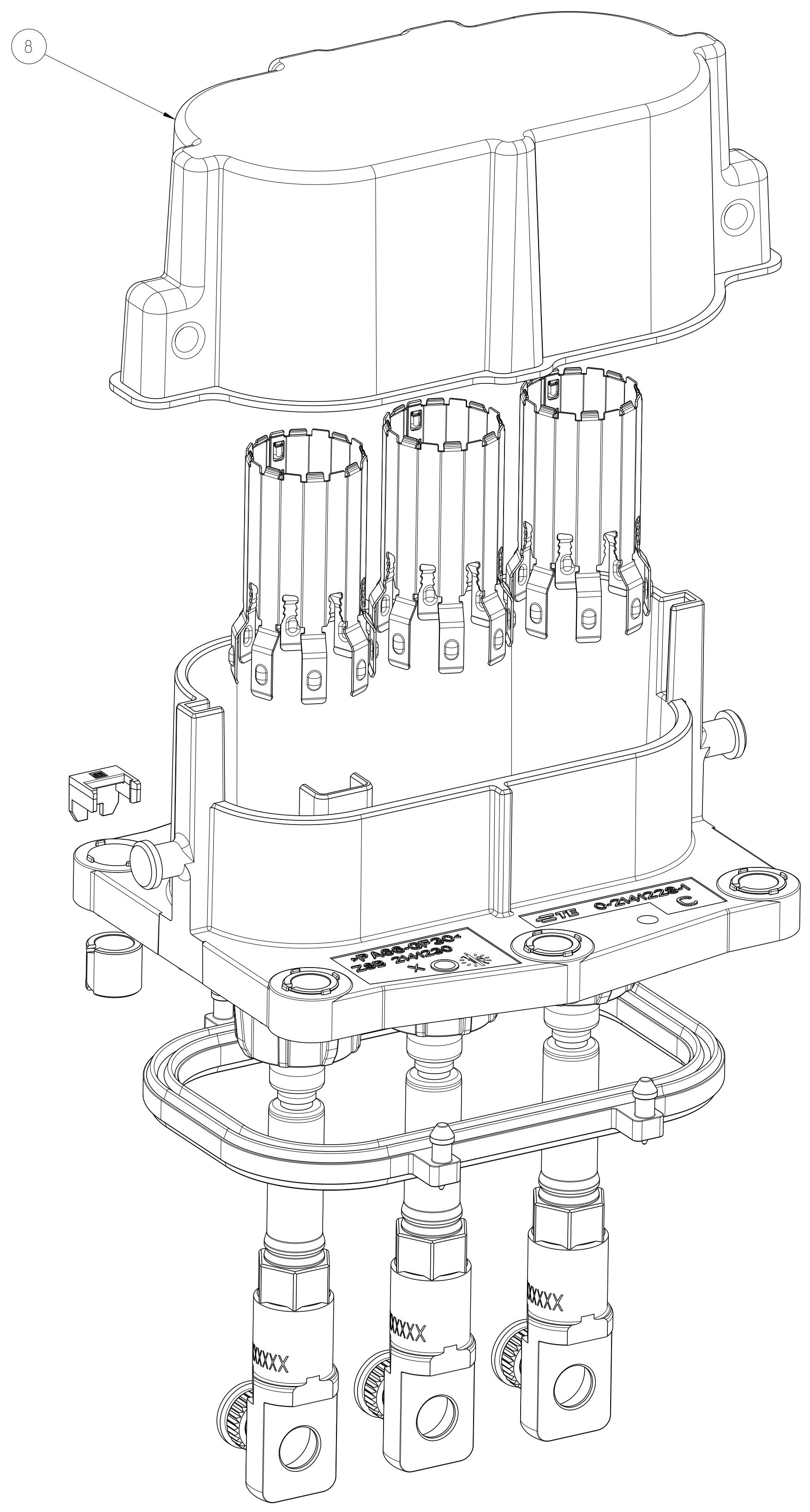
2-2325013-1/2 AS SHOWN

5-2325013-1/2 SEE SHEET 3

QTY PER ASSY PARTS	B	A	B	A	DESCRIPTION	MATERIAL	SURFACE COLOR	ITEM
-	-	1	1		2. LOCK, IL. HEADER	PA66-GF30 V0	RED	8
1	1	-	-		SECONDARY LOCK, HVIL, HEADER	PA6-(GF10+GB20) HB	DUSTY GRAY	
1	1	1	1		RADIAL SEAL 79.4 X 50	SILICON RUBBER	NATURE	7
6	6	6	6		COMPRESSION DELIMITER	DC02	ZnNi - PLATING	6
3	3	3	3		SHIELDING SLEEVE	COPPER ALLOY	PRE-TIN PLATING	5
3	3	3	3		M6 NUT	COPPER ALLOY	BLANK	4
-	-	3	-		PROTECTION COVER 8MM HV	PA66-GF30 V0	WHITE	3
-	-	-	3		PROTECTION COVER 8MM HV	PA66-GF30 V0	BLACK	
3	-	-	-		PROTECTION COVER 8MM HV	PA6-(GF10+GB20) HB	NATURE	
-	3	-	-		PROTECTION COVER 8MM HV	PA6-(GF10+GB20) HB	BLACK	
3	3	3	3		PIN DIA 8.0, PIN	COPPER ALLOY	SILVER PLATED	2
-	-	1	-		3POS, PIN DIA 8.0, PIN HSG, 90, SEALED	PA66-GF30 V0	ORANGE	1
-	-	-	1		3POS, PIN DIA 8.0, PIN HSG, 90, SEALED	PA66-GF30 V0	ORANGE	
1	-	-	-		3POS, PIN DIA 8.0, PIN HSG, 90, SEALED	PA66-GF30 HB	ORANGE	
-	1	-	-		3POS, PIN DIA 8.0, PIN HSG, 90, SEALED	PA66-GF30 HB	ORANGE	
2-2325013-2	2-2325013-1	5-2325013-2	5-2325013-1		DESCRIPTION	MATERIAL	SURFACE COLOR	ITEM



1-2325013-5/6 AS SHOWN

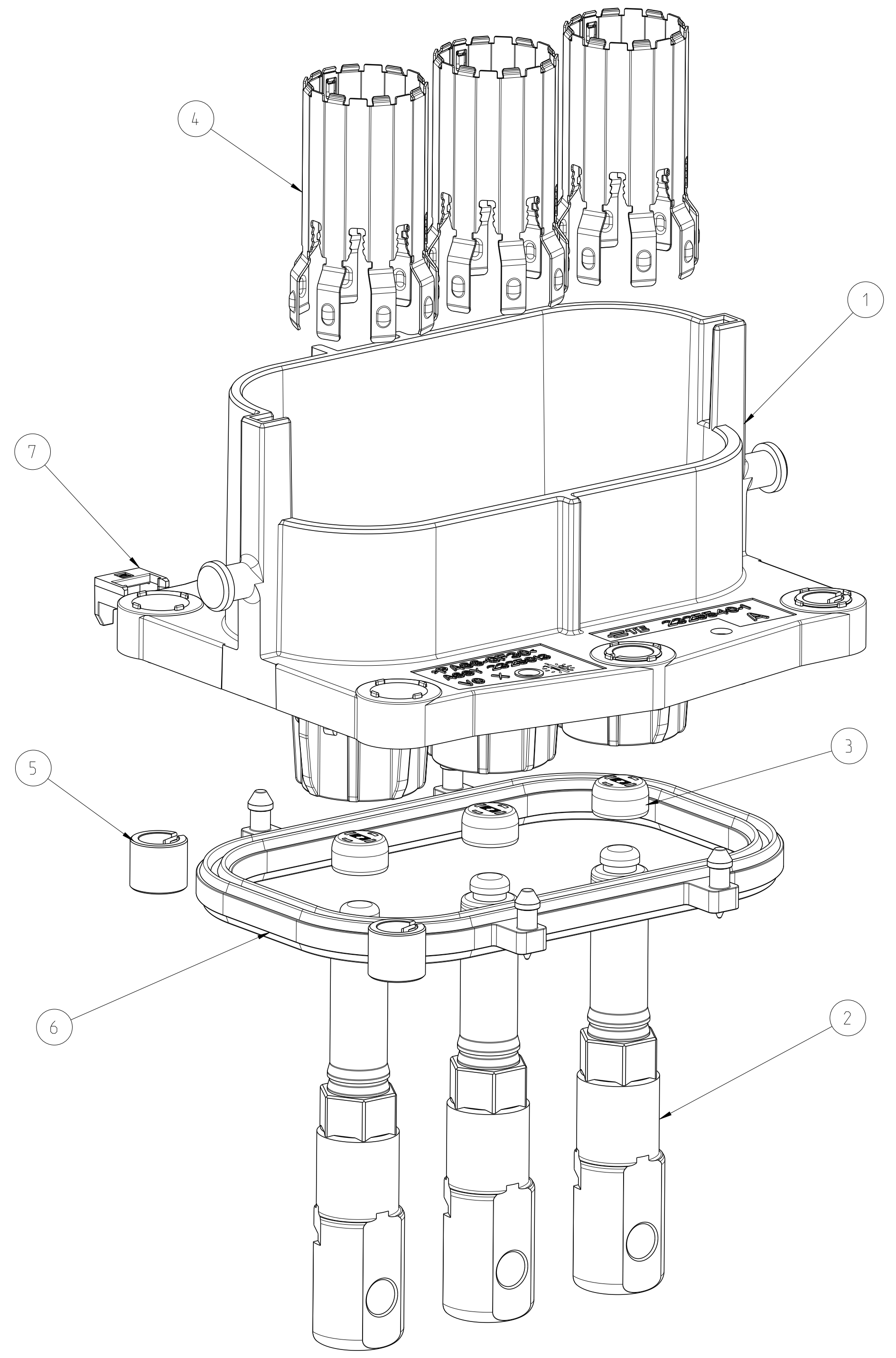
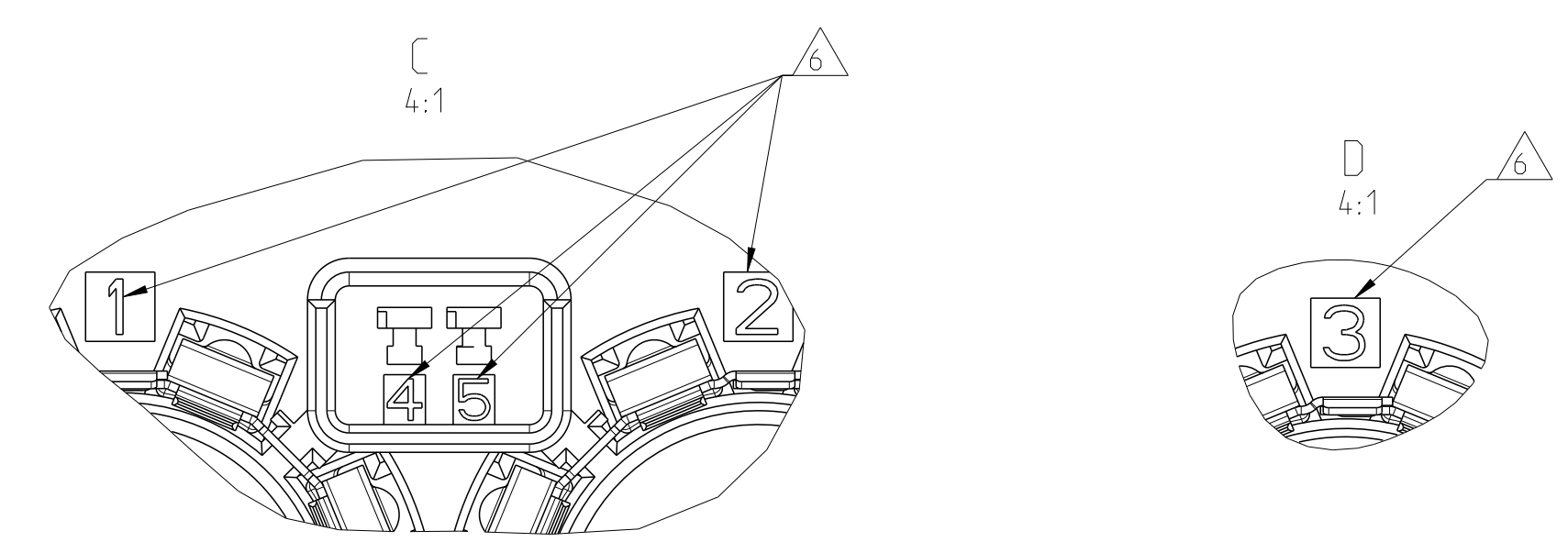


2-2325013-5/6 AS SHOWN

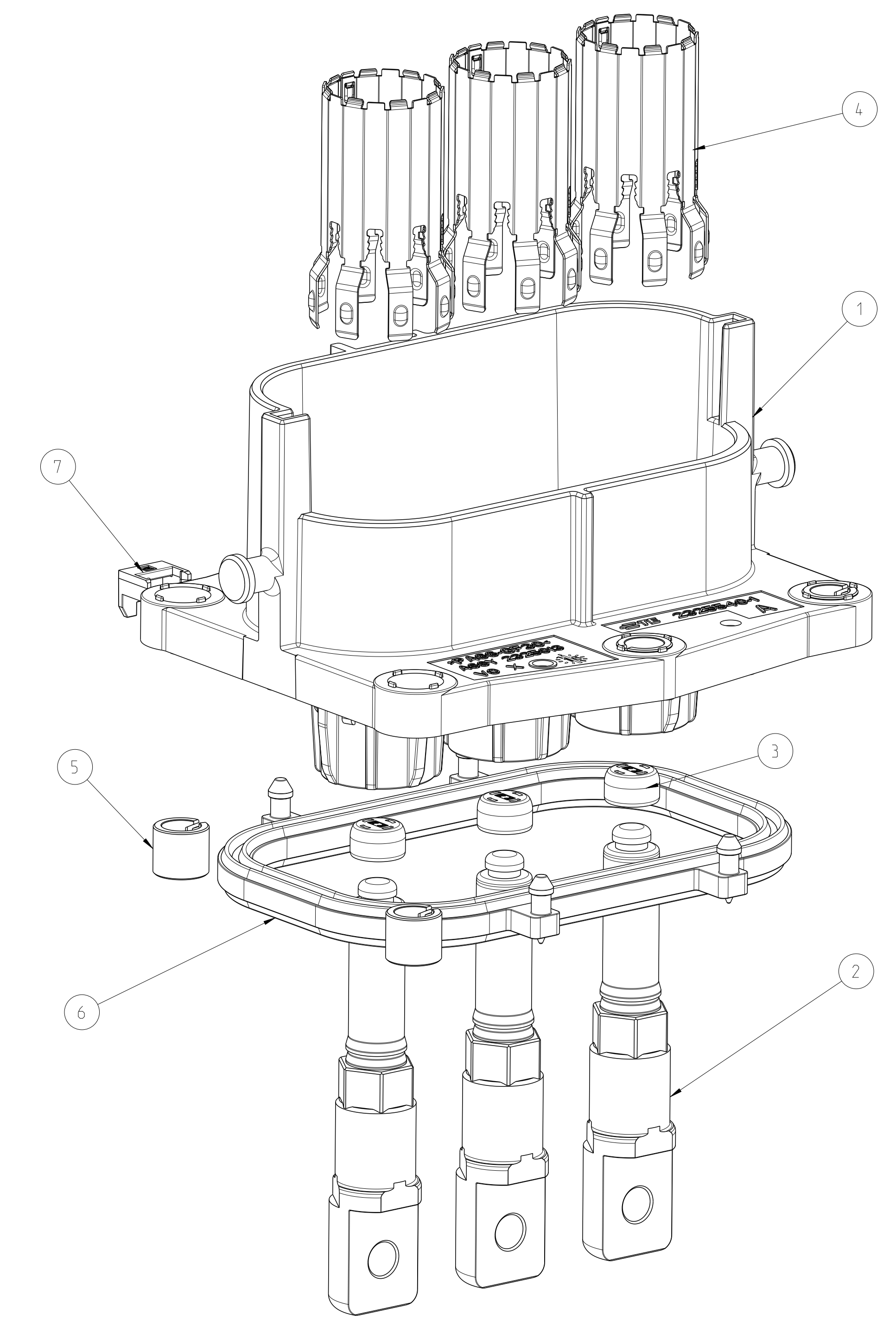
5-2325013-6	B	3POL. PROTECTION CAP	PS-REGENERAT	BLACK	1	8
		3POS, PIN DIA 8.0, PIN HSG, 90, ASSY	-	-	1	-
5-2325013-5	A	3POL. PROTECTION CAP	PS-REGENERAT	BLACK	1	8
		3POS, PIN DIA 8.0, PIN HSG, 90, ASSY	-	-	1	-
2-2325013-6	B	3POL. PROTECTION CAP	PS-REGENERAT	BLACK	1	8
		3POS, PIN DIA 8.0, PIN HSG, 90, ASSY	-	-	1	-
2-2325013-5	A	3POL. PROTECTION CAP	PS-REGENERAT	BLACK	1	8
		3POS, PIN DIA 8.0, PIN HSG, 90, ASSY	-	-	1	-
4-2325013-6	B	3POL. PROTECTION CAP	PS-REGENERAT	BLACK	1	8
		3POS, PIN DIA 8.0, PIN HSG, 90, ASSY	-	-	1	-
4-2325013-5	A	3POL. PROTECTION CAP	PS-REGENERAT	BLACK	1	8
		3POS, PIN DIA 8.0, PIN HSG, 90, ASSY	-	-	1	-
1-2325013-6	B	3POL. PROTECTION CAP	PS-REGENERAT	BLACK	1	8
		3POS, PIN DIA 8.0, PIN HSG, 90, ASSY	-	-	1	-
1-2325013-5	A	3POL. PROTECTION CAP	PS-REGENERAT	BLACK	1	8
		3POS, PIN DIA 8.0, PIN HSG, 90, ASSY	-	-	1	-

THIS DRAWING IS A CONTROLLED DOCUMENT. DIMENSIONS: UNLESS OTHERWISE SPECIFIED, DIMENSIONS ARE IN MILLIMETERS. DATE: 28NOV2017. DRAWN BY: D. D.L. CHECKED BY: E. JIANG. APPROVED BY: J. LYIN. PRODUCT SPEC: APPLICATION SPEC: CUSTOMER DRAWING. SCALE: 2:1. SHEET 2 OF 5. REV A3. **STE** TE Connectivity. NAME: 3POS, PIN DIA 8.0, PIN HSG, ASSY. SIZE: CASE CODE: DRAWING NO: A0. RESTRICTED TO: © 2325013.

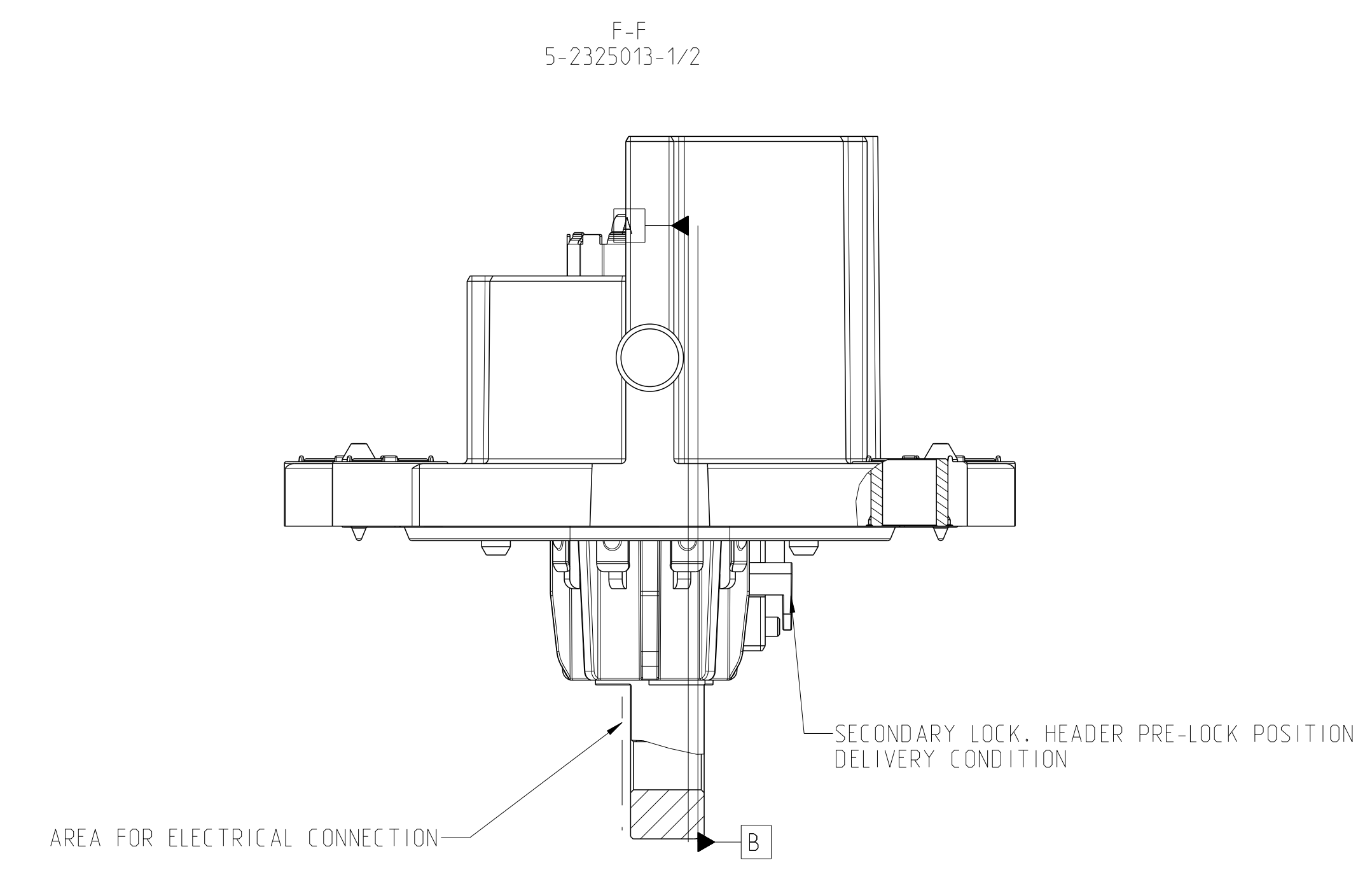
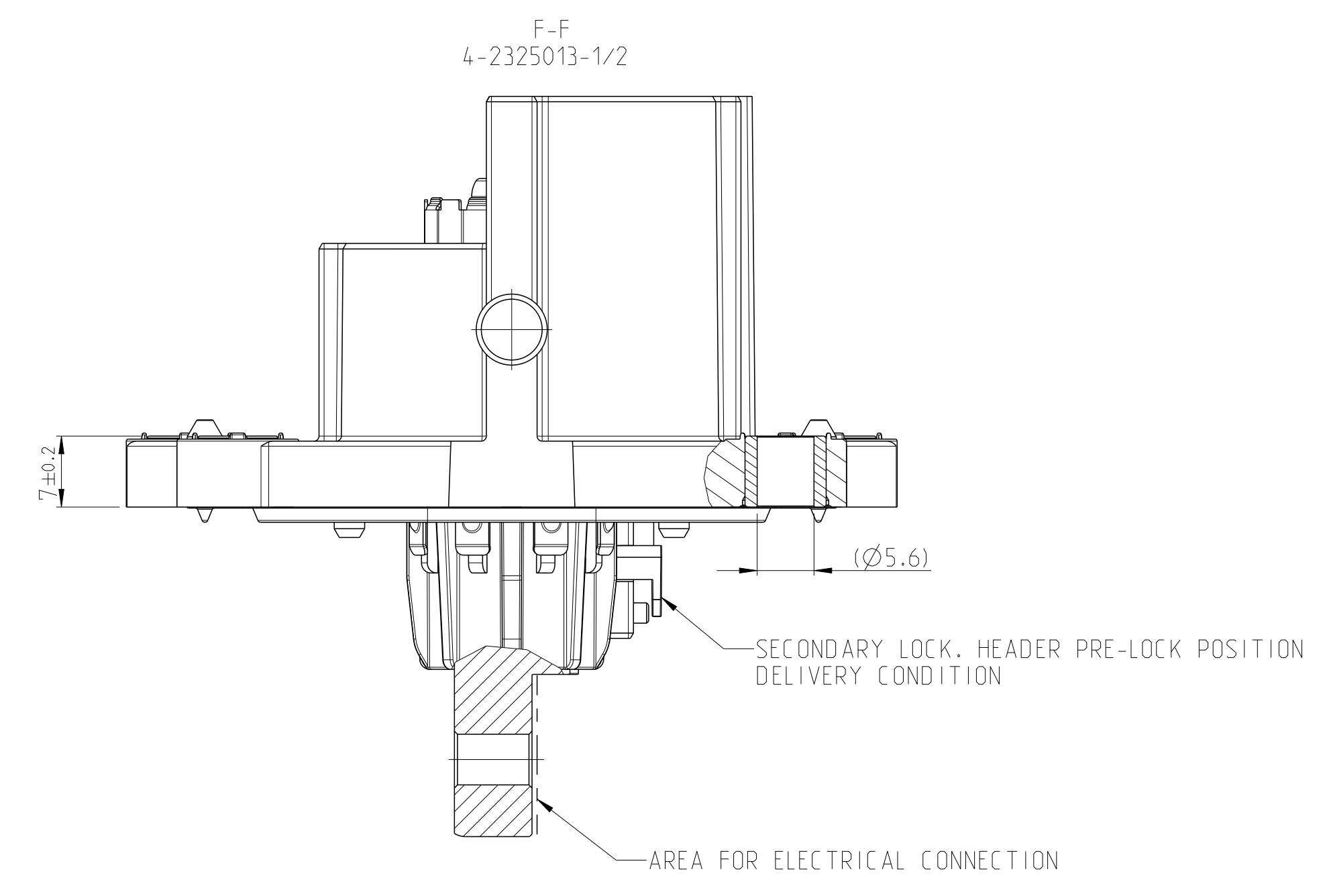
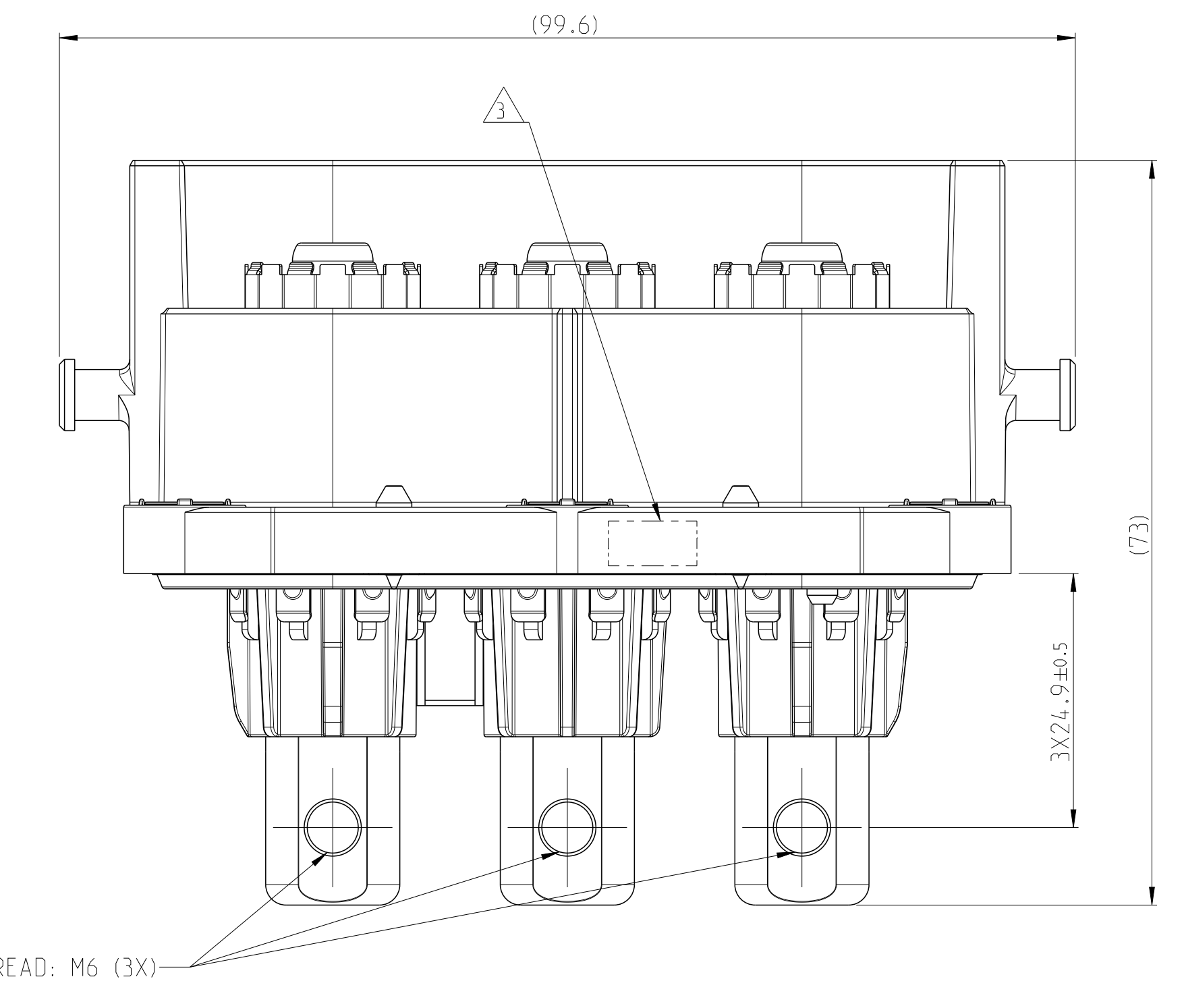
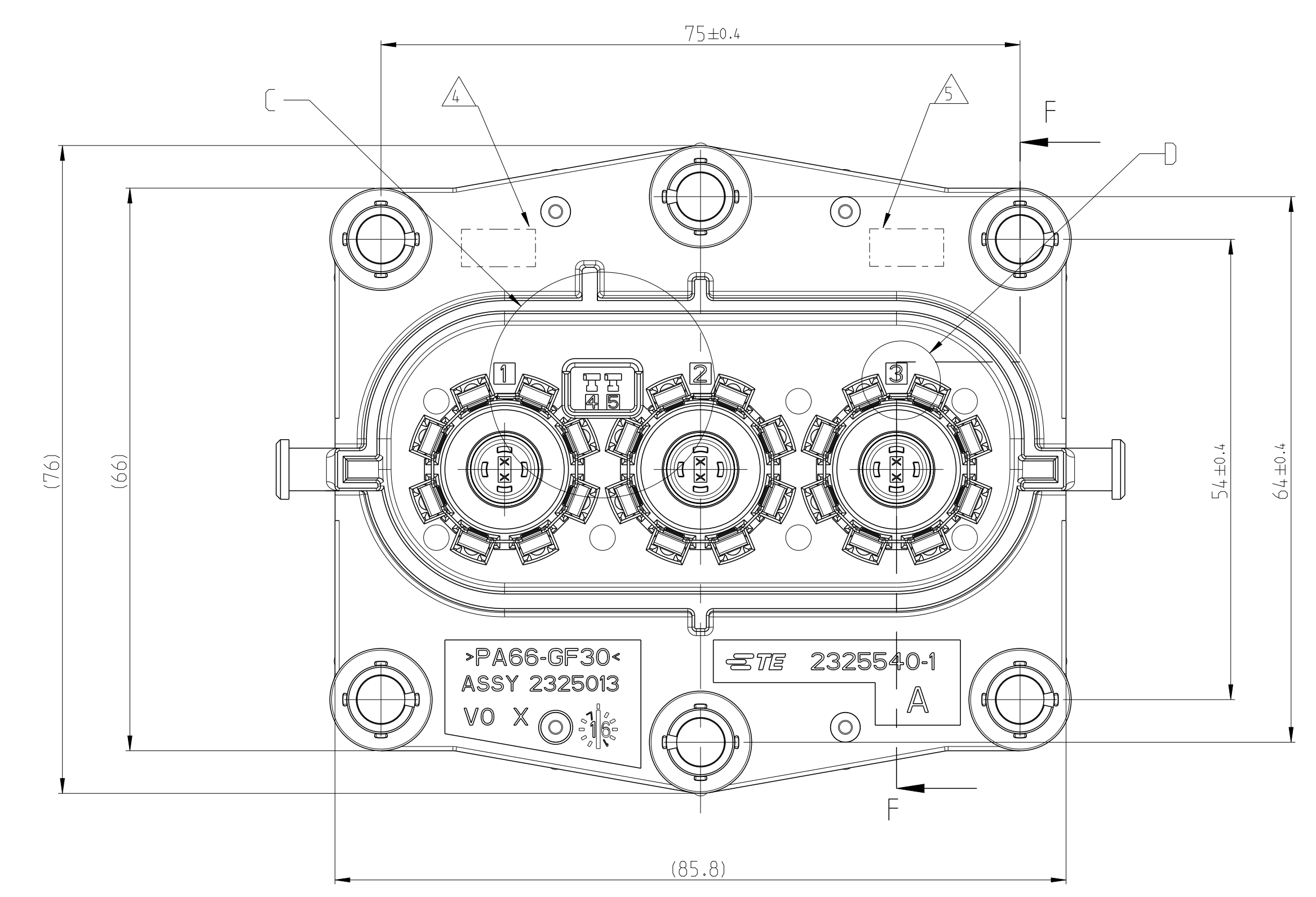
REVISIONS			
NO.	DATE	DESCRIPTION	BY
1		SEE SHEET 1	



4-2325013-1/2 AS SHOWN



5-2325013-1/2 AS SHOWN



QTY PER ASSY	PARTS	DESCRIPTION	MATERIAL	SURFACE COLOR	ITEM		
1	1	2. LOCK, IL. HEADER	PA66-GF30 V0	RED	7		
1	1	RADIAL SEAL 79.4 X 50	SILICON RUBBER	NATURE	6		
6	6	COMPRESSION DELIMITER	DC02	ZnNi - PLATING	5		
3	3	SHIELDING SLEEVE	COPPER ALLOY	PRE-TIN PLATING	4		
3	-	PROTECTION COVER 8MM HV	PA66-GF30 V0	NATURE	3		
-	3	PROTECTION COVER 8MM HV	PA66-GF30 V0	BLACK			
3	3	PIN DIA 8.0	C14500	SILVER PLATED	2		
-	-	PIN DIA 8.0	C14500	SILVER PLATED			
1	-	3POS.PIN DIA 8.0.PIN HSG.90.SEALED	PA66-GF30 V0	ORANGE	1		
-	1	3POS.PIN DIA 8.0.PIN HSG.90.SEALED	PA66-GF30 V0	ORANGE			
5-2325013-2	5-2325013-1	4-2325013-2	4-2325013-1	DESCRIPTION	MATERIAL	SURFACE COLOR	ITEM
B	A	B	A	CODING			

THIS DRAWING IS A CONTROLLED DOCUMENT.

DATE	28NOV2017	BY	D.D.L.
APPROVED	28NOV2017	BY	E. JIANG
REVISED	28NOV2017	BY	L.YIN

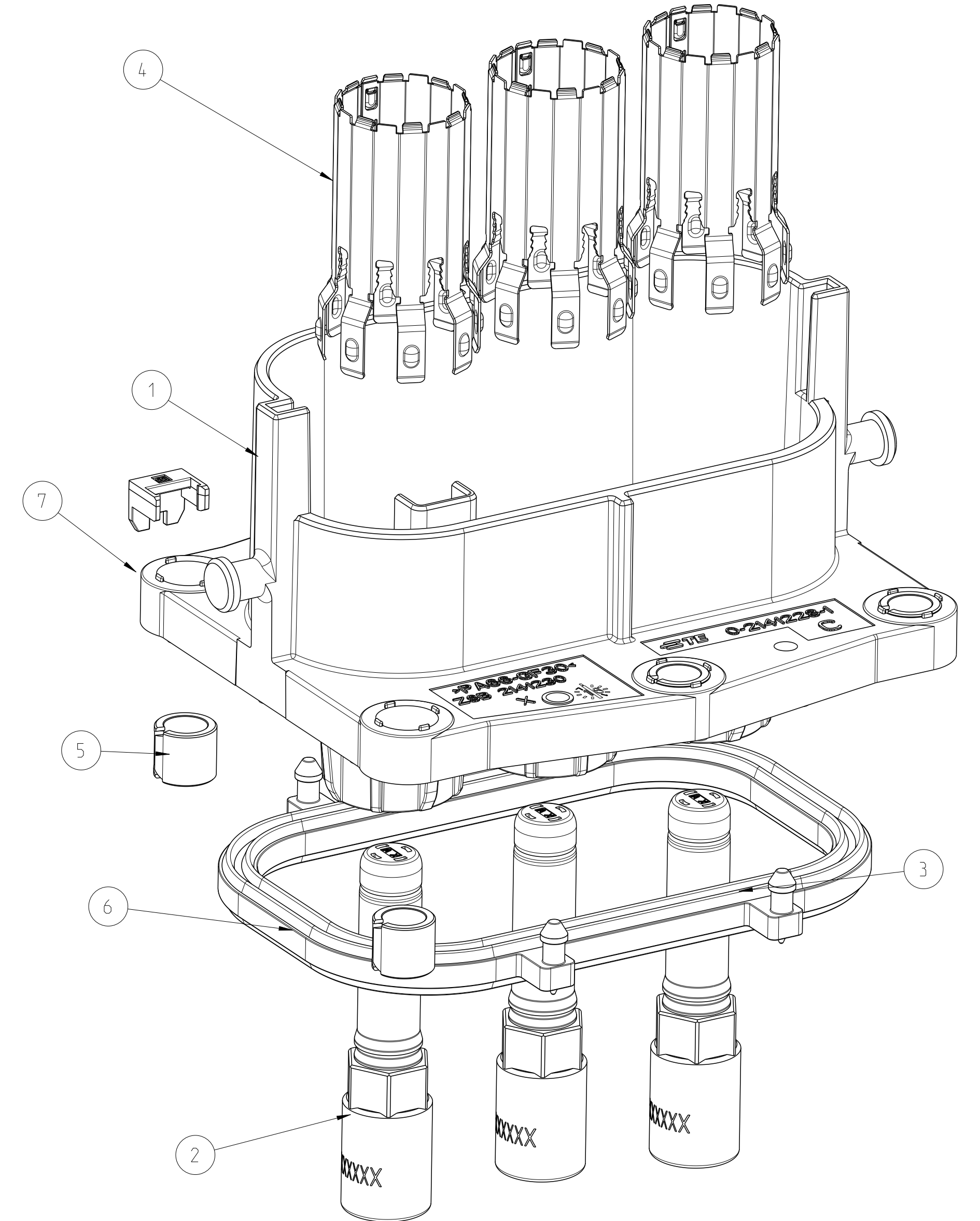
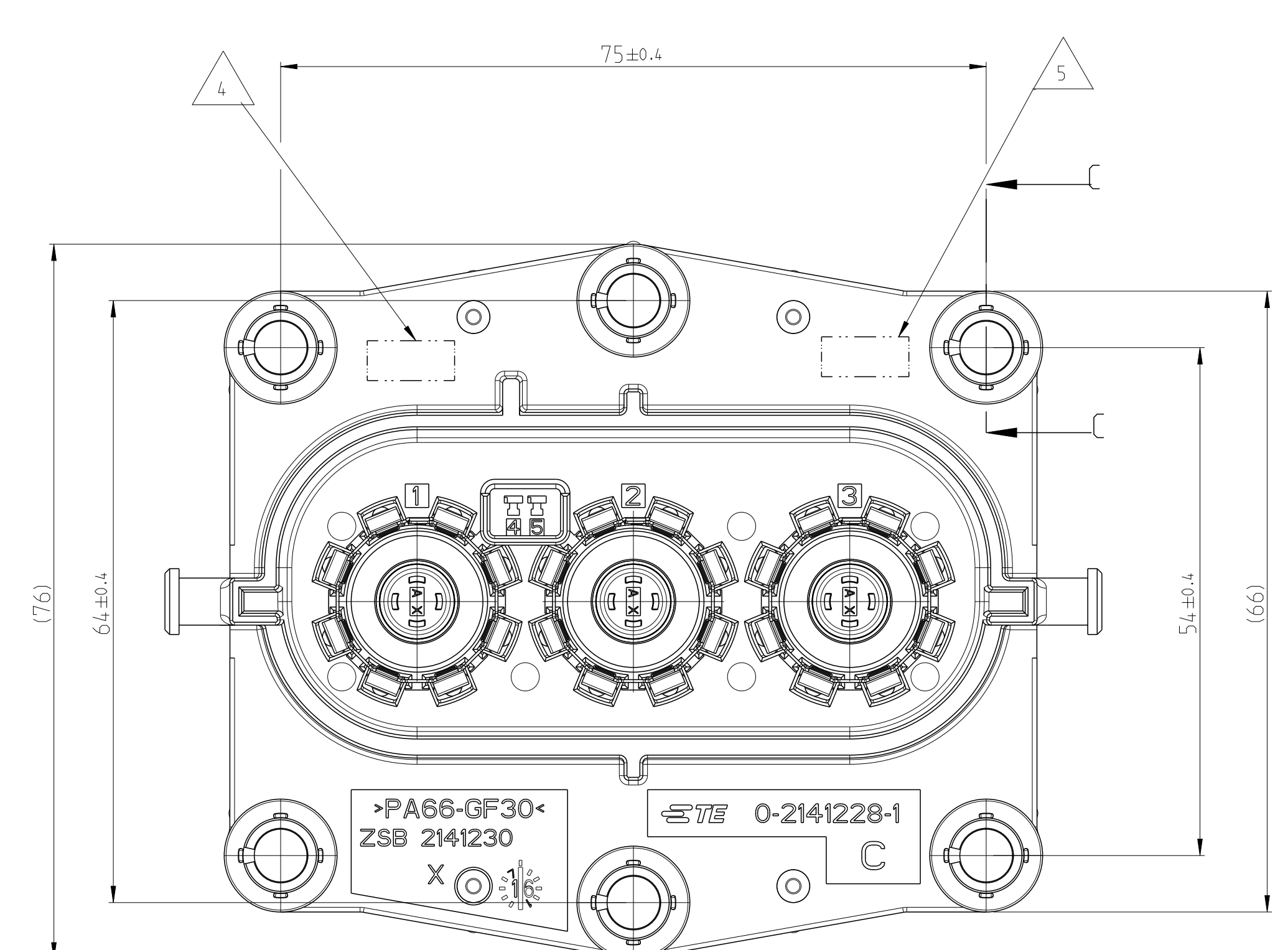
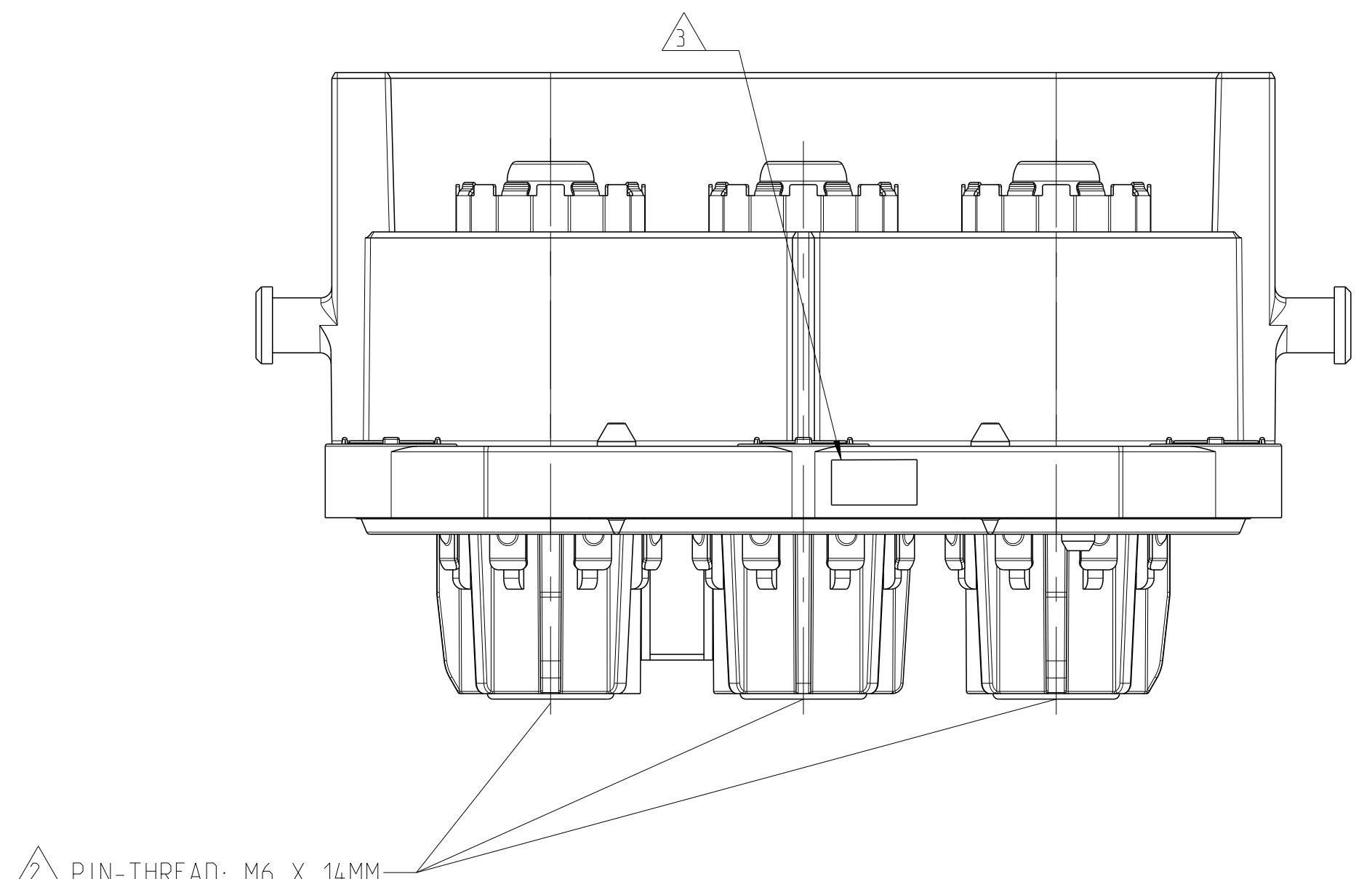
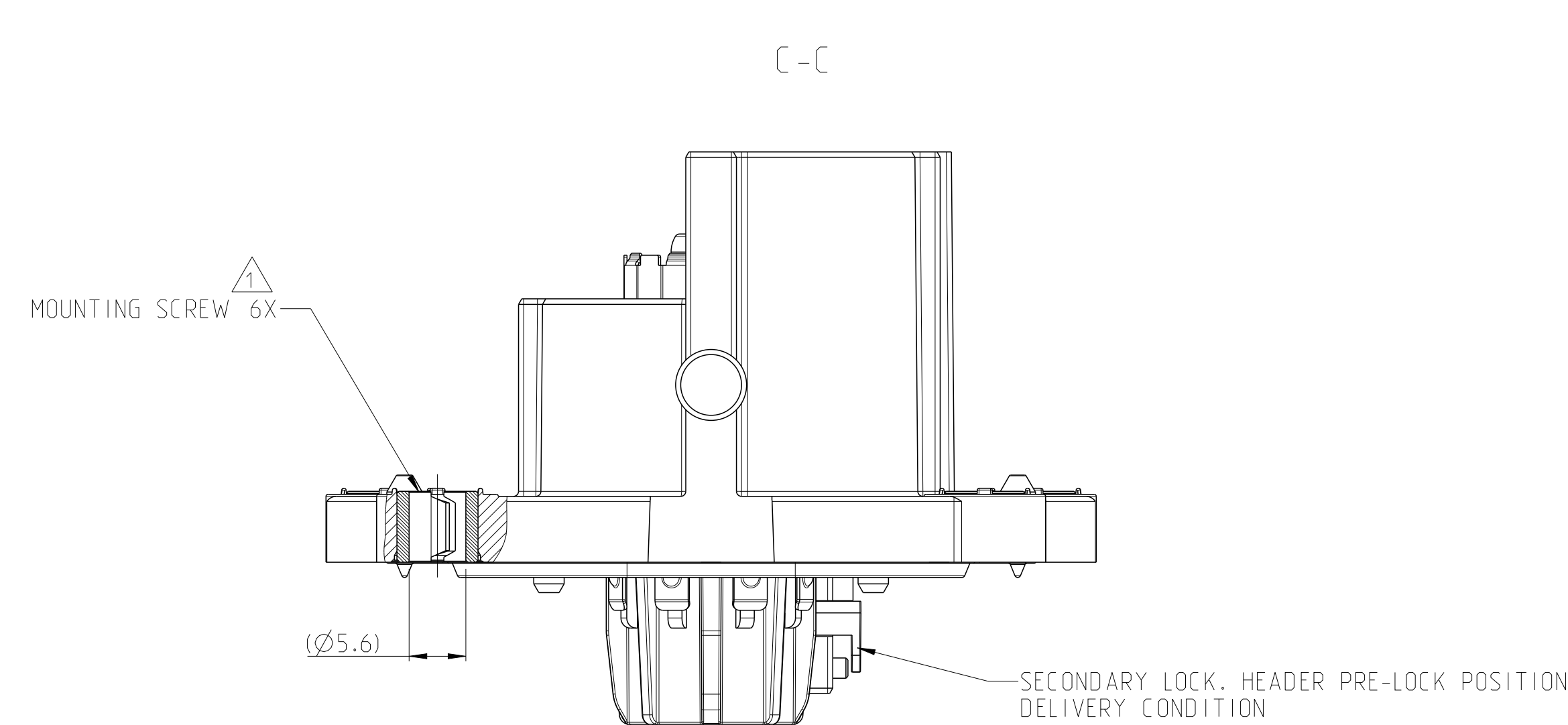
STE TE Connectivity

3POS.PIN DIA 8.0.PIN HSG.ASSY

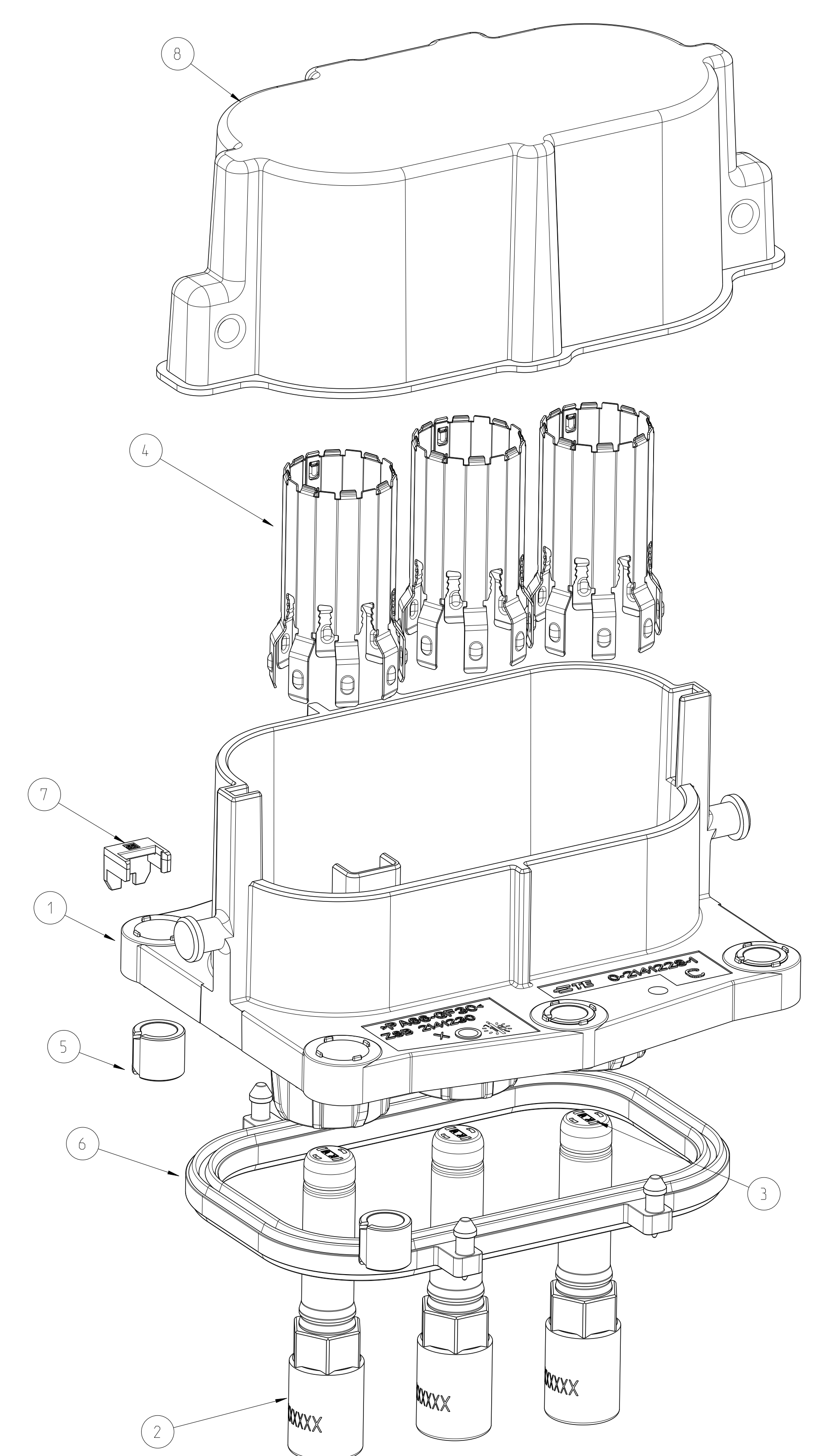
SCALE: 2:1 SHEET 3 OF 5 REV: A3

REVISIONS			
NO.	DATE	DESCRIPTION	BY
1		SEE SHEET 1	

DIMENSIONS AND TOLERANCING PER GPS (ISO STANDARDS)



2325013-1/2 AS SHOWN



2325013-5/6 AS SHOWN

QTY PER ASSY	PARTS	DESCRIPTION	MATERIAL	COLOR	ITEM		
-	1	2. LOCK, IL, HEADER	PA66-GF30 V0	RED	7		
1	-	2. LOCK, IL, HEADER	PA6-(GF10+GB20) HB	DUSTY GRAY			
1	1	RADIAL SEAL 76.4 X 50	SILICON RUBBER	NATURE	6		
6	6	COMPRESSION DELIMITER	DC02	ZnNi - PLATING	5		
3	3	SHIELDING SLEEVE	COPPER ALLOY	PRE-TIN PLATING	4		
-	3	PROTECTION COVER 8MM HV	PA66-GF30 V0	NATURE	3		
-	-	PROTECTION COVER 8MM HV	PA66-GF30 V0	BLACK			
3	-	PROTEC. COVER 8MM HV	PA6 (GF10+GB20) HB	NATURE			
-	3	PROTEC. COVER 8MM HV	PA6 (GF10+GB20) HB	BLACK	2		
3	3	PIN DIA 8.0, PIN	COPPER ALLOY	SILVER PLATED			
-	1	3POS,PIN DIA 8.0,PIN HSG,90,SEALED	PA66-GF30 V0	ORANGE	1		
-	-	3POS,PIN DIA 8.0,PIN HSG,90,SEALED	PA66-GF30 V0	ORANGE			
1	-	3POS,PIN DIA 8.0,PIN HSG,90,SEALED	PA66-GF30 HB	ORANGE			
-	1	3POS,PIN DIA 8.0,PIN HSG,90,SEALED	PA66-GF30 HB	ORANGE			
2325013-2	2325013-1	3-2325013-2	3-2325013-1	DESCRIPTION	MATERIAL	SURFACE COLOR	ITEM
B	A	B	A	CODING			
QTY PER ASSY PARTS							

TE-ASSY-NO.	COD.	DESCRIPTION	MATERIAL	SURFACE COLOUR	QTY	ITEM
3-2325013-6	B	3POL. PROTECTION CAP	PS-REGENERAT	BLACK	1	8
		3POS,PIN DIA 8.0,PIN HSG,90,ASSY,SLD	-	-	1	-
3-2325013-5	A	3POL. PROTECTION CAP	PS-REGENERAT	BLACK	1	8
		3POS,PIN DIA 8.0,PIN HSG,90,ASSY,SLD	-	-	1	-
2325013-6	B	3POL. PROTECTION CAP	PS-REGENERAT	BLACK	1	8
		3POS,PIN DIA 8.0,PIN HSG,90,ASSY,SLD	-	-	1	-
2325013-5	A	3POL. PROTECTION CAP	PS-REGENERAT	BLACK	1	8
		3POS,PIN DIA 8.0,PIN HSG,90,ASSY,SLD	-	-	1	-

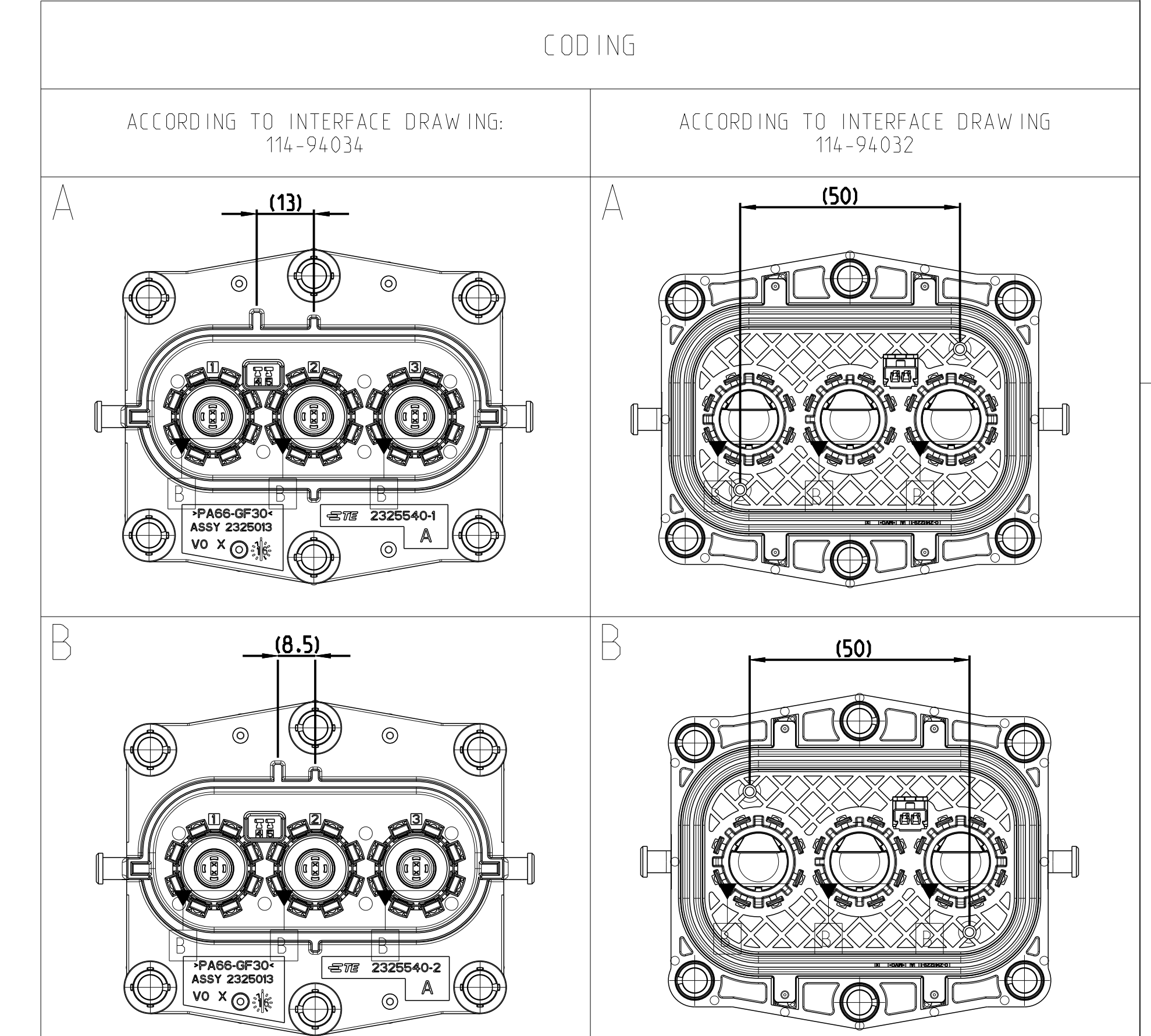
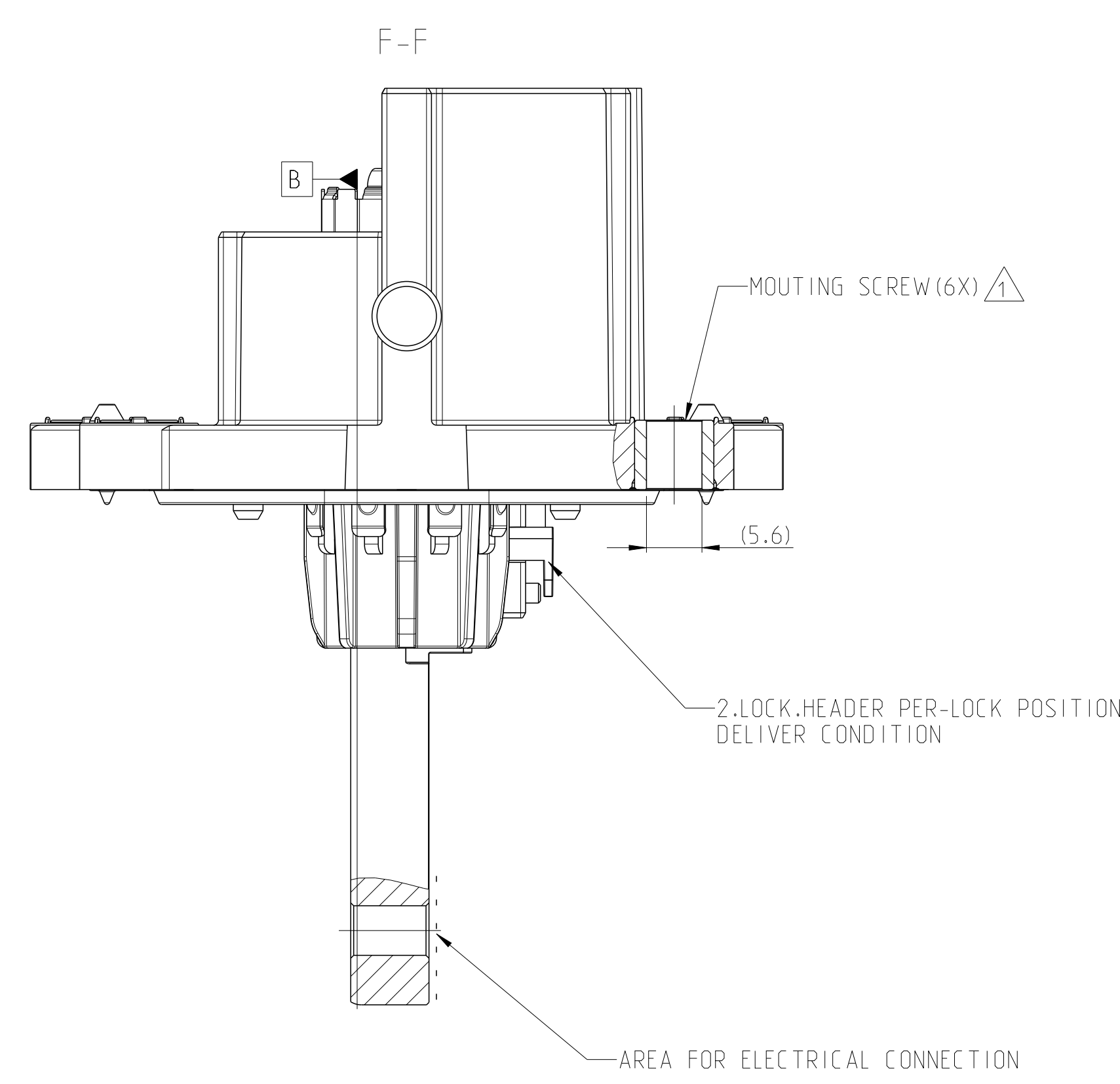
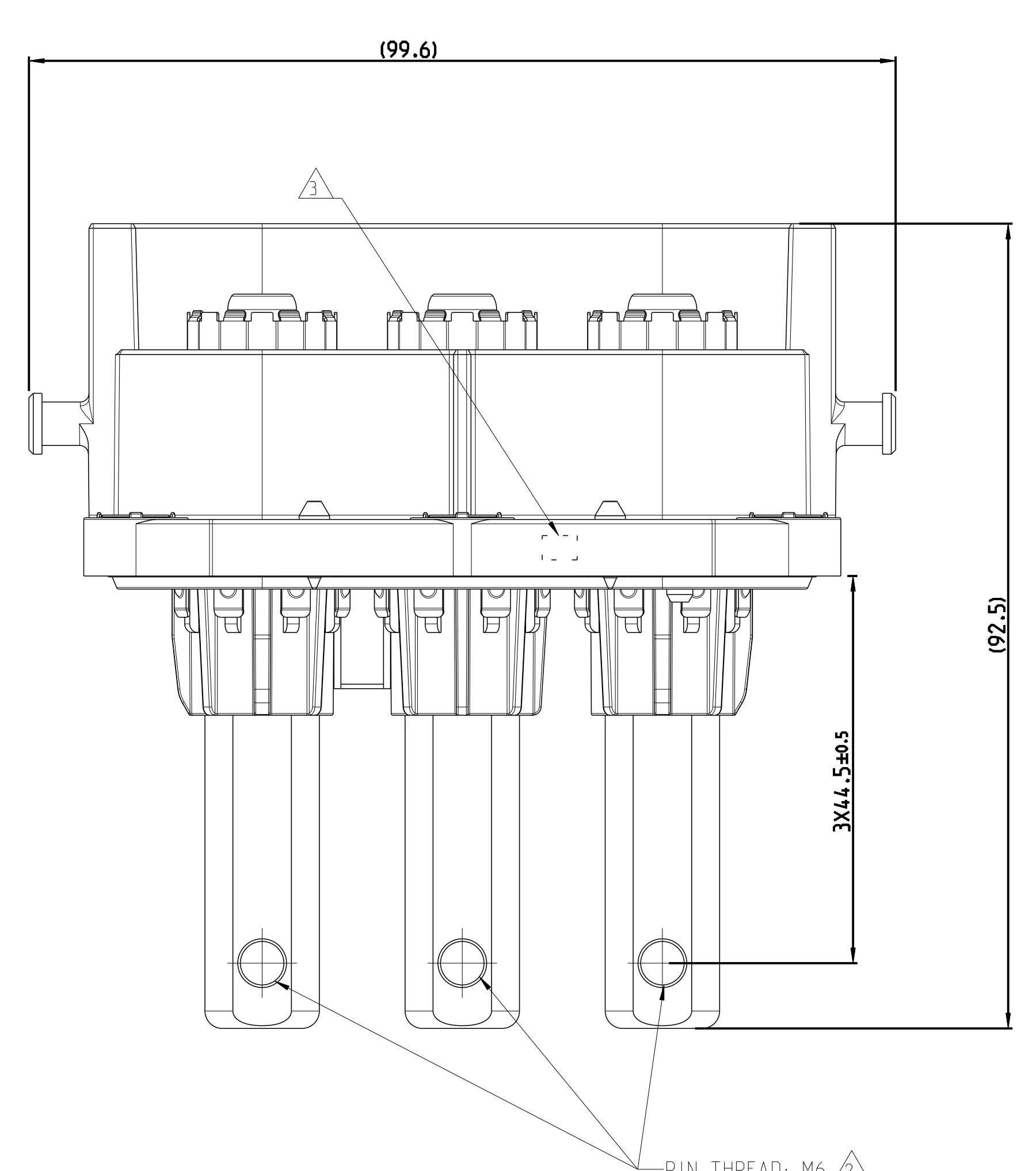
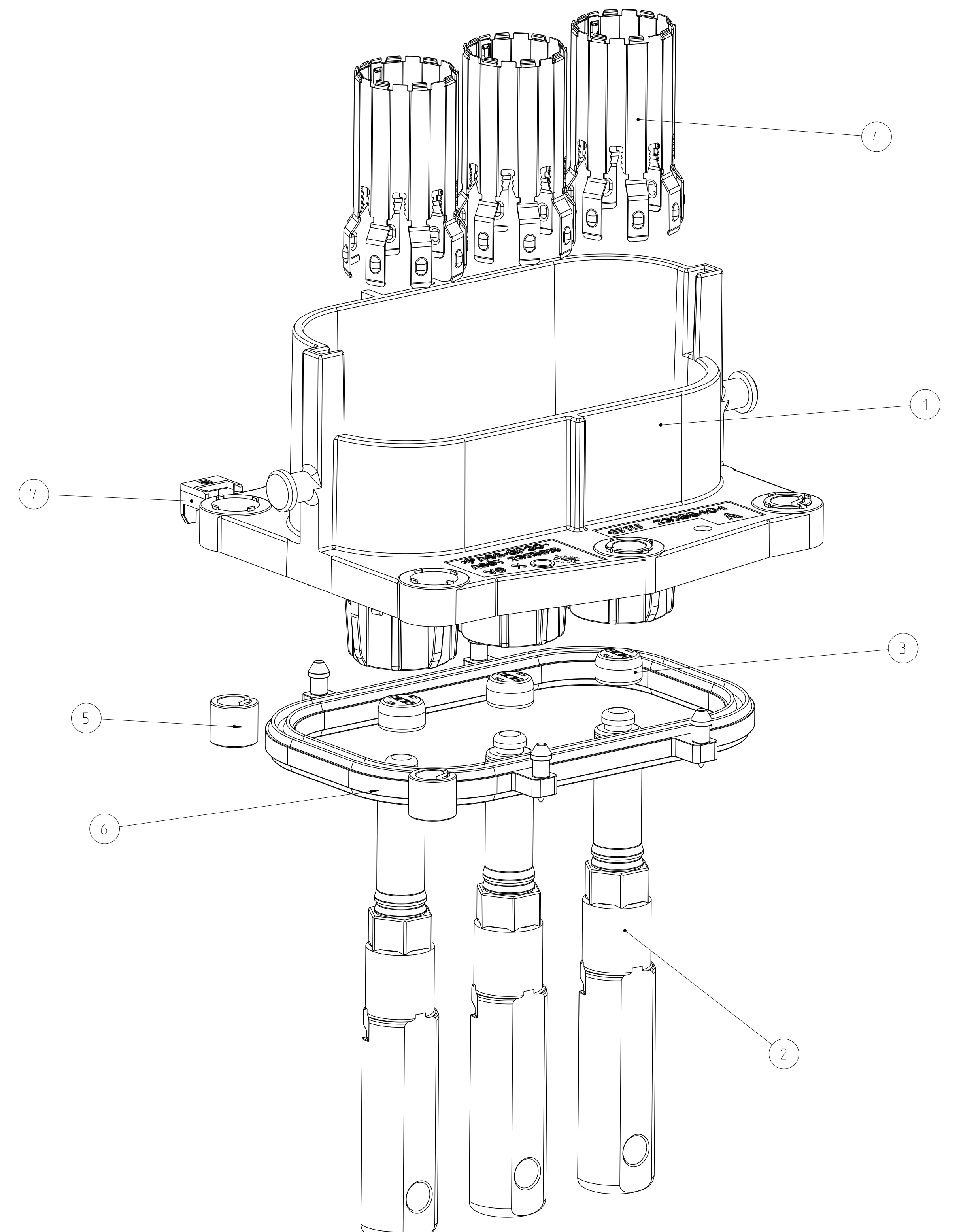
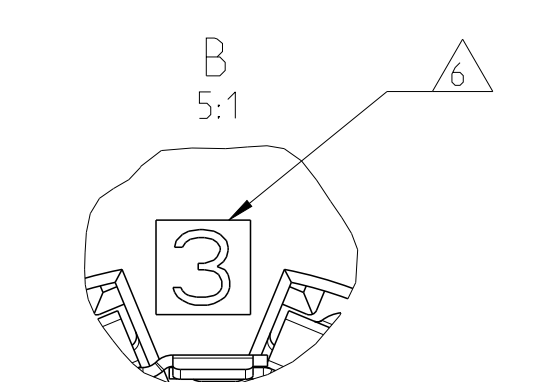
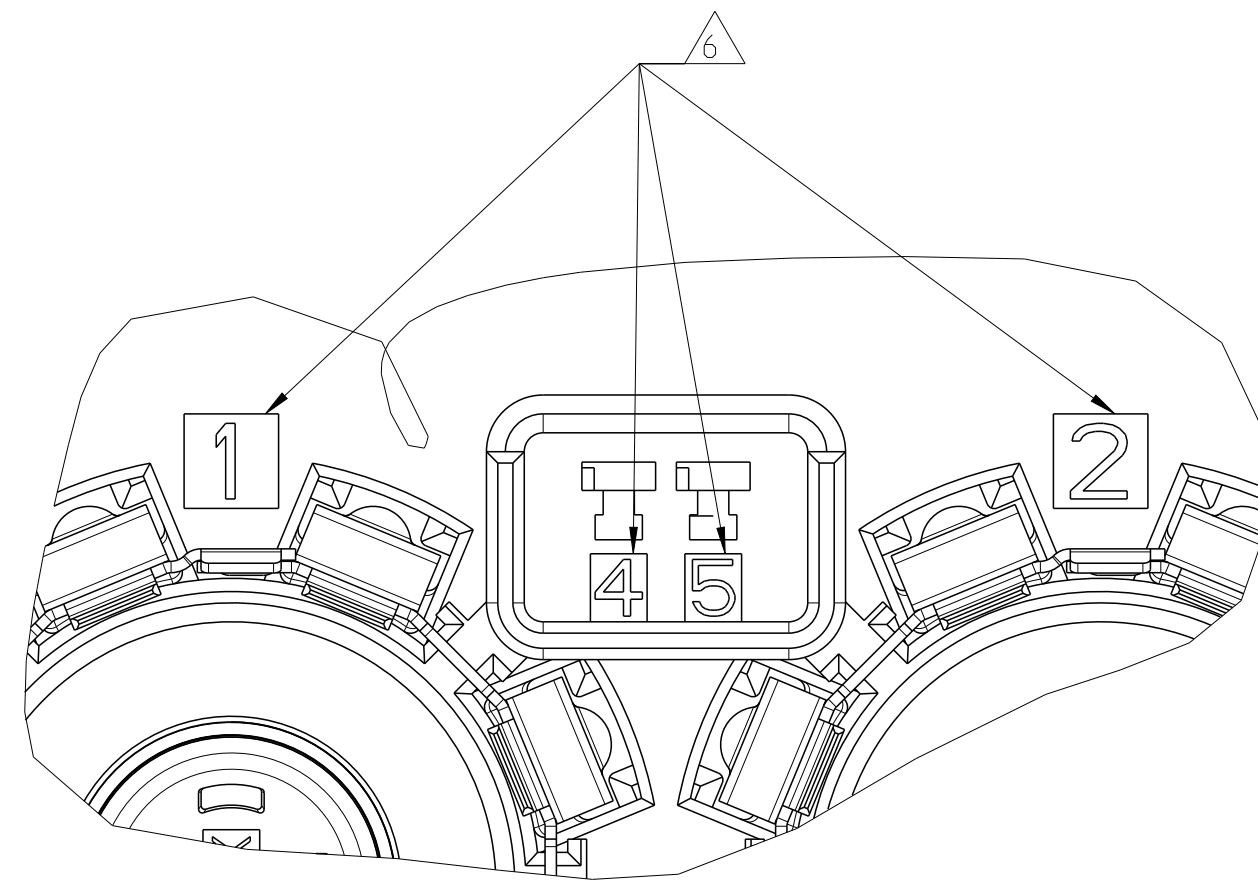
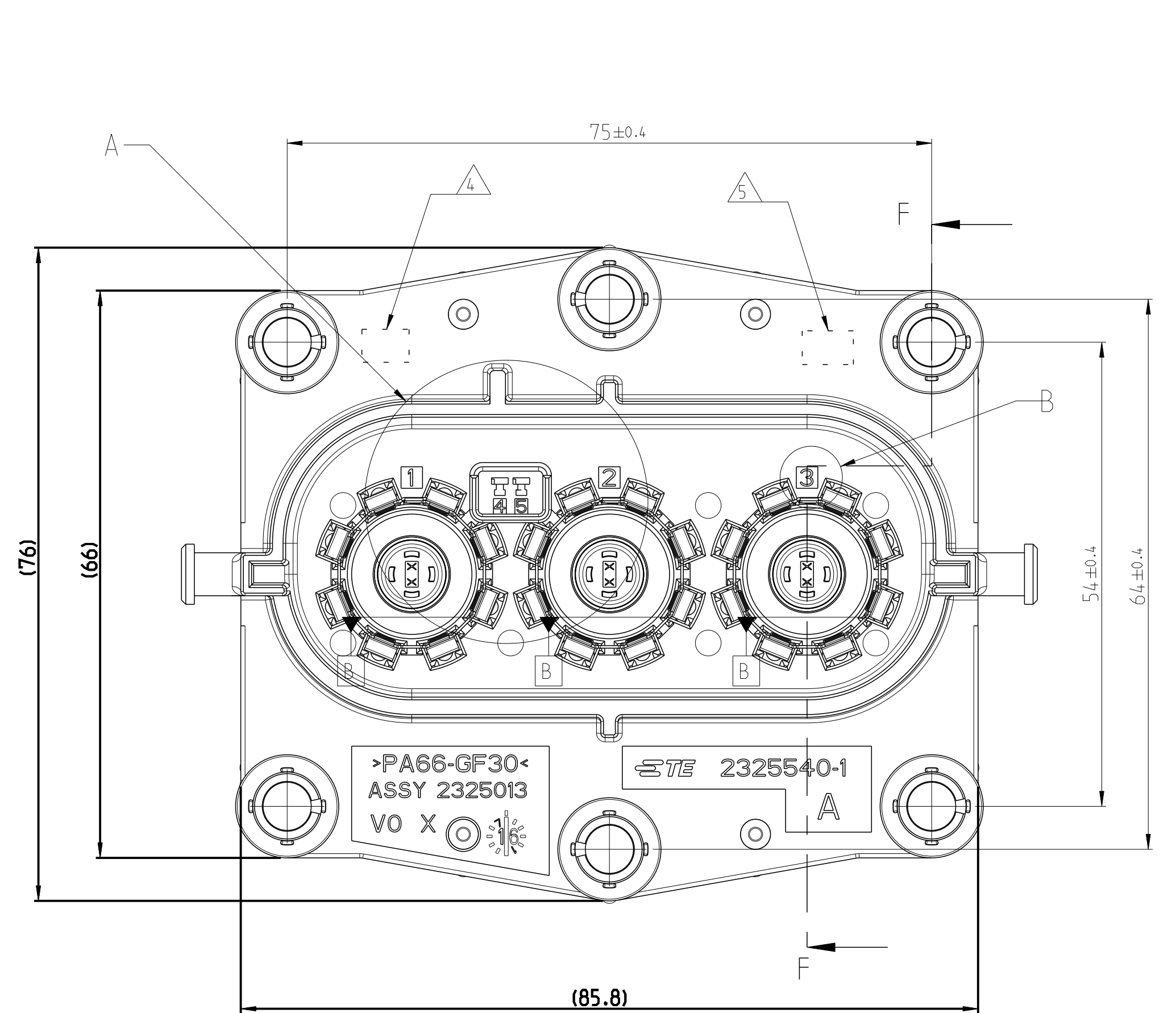
THIS DRAWING IS A CONTROLLED DOCUMENT.

DATE: 28NOV2017
 CH: JIANG
 APPO: JIANG
 PRODUCT SPEC: 3POS,PIN DIA 8.0,PIN HSG,ASSY

STE TE Connectivity

SCALE: 2:1 SHEET 6 OF 5 REV: A3

REVISIONS				
NO.	DATE	DESCRIPTION	BY	APP'D
-	-	SEE SHEET 1	-	-



QTY PER ASSY PARTS	QTY PER ASSY PARTS	DESCRIPTION	MATERIAL	SURFACE COLOR	ITEM
1	1	2. LOCK, 1L, HEADER	PA66-GF30 V0	RED	7
1	1	RADIAL SEAL 79.4 X 50	SILICON RUBBER	NATURE	6
6	6	COMPRESSION DELIMITER	DC02	ZnNi - PLATING	5
3	3	SHIELDING SLEEVE	COPPER ALLOY	PRE-TIN PLATING	4
-	3	PROTECTION COVER 8MM HV	PA66-GF30 V0	WHITE	3
-	3	PROTECTION COVER 8MM HV	PA66-GF30 V0	BLACK	3
3	3	PIN DIA 8.0, PIN	COPPER ALLOY	SILVER PLATED	2
1	1	3POS,PIN DIA 8.0,PIN HSG,90,SEALED	PA66-GF30 V0	ORANGE	1
-	1	3POS,PIN DIA 8.0,PIN HSG,90,SEALED	PA66-GF30 V0	ORANGE	1
6-2325013-2	6-2325013-1				
B	A				

THIS DRAWING IS A CONTROLLED DOCUMENT. DATE: 28NOV2017. CH: JIANG. APY: JIANG. PRODUCT SPEC: 3POS.PIN DIA 8.0.PIN HSG.ASSY. APPLICATION SPEC: A. CUSTOMER DRAWING. SCALE: 2:1. SHEET 5 OF 5. REV A3.