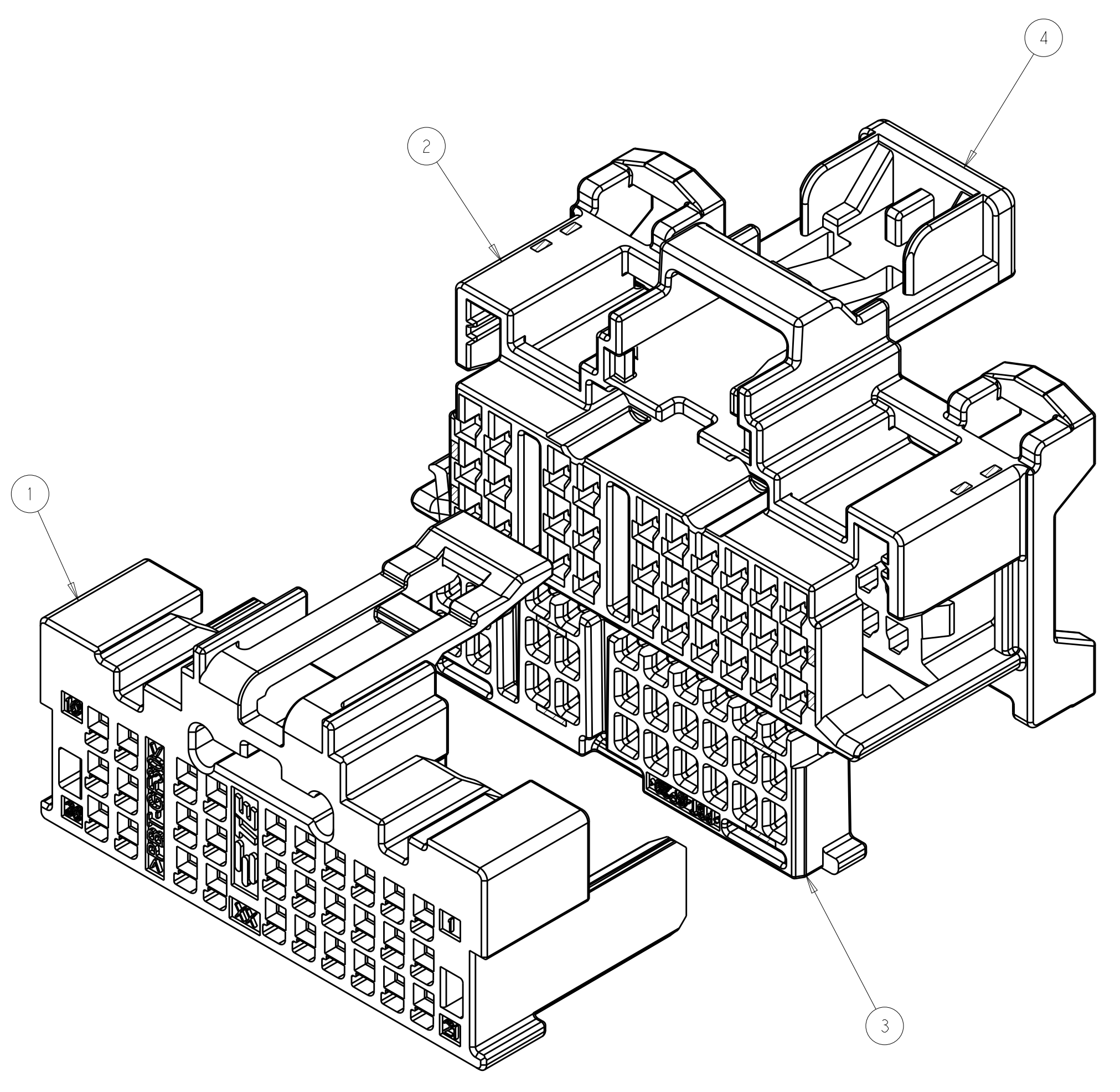
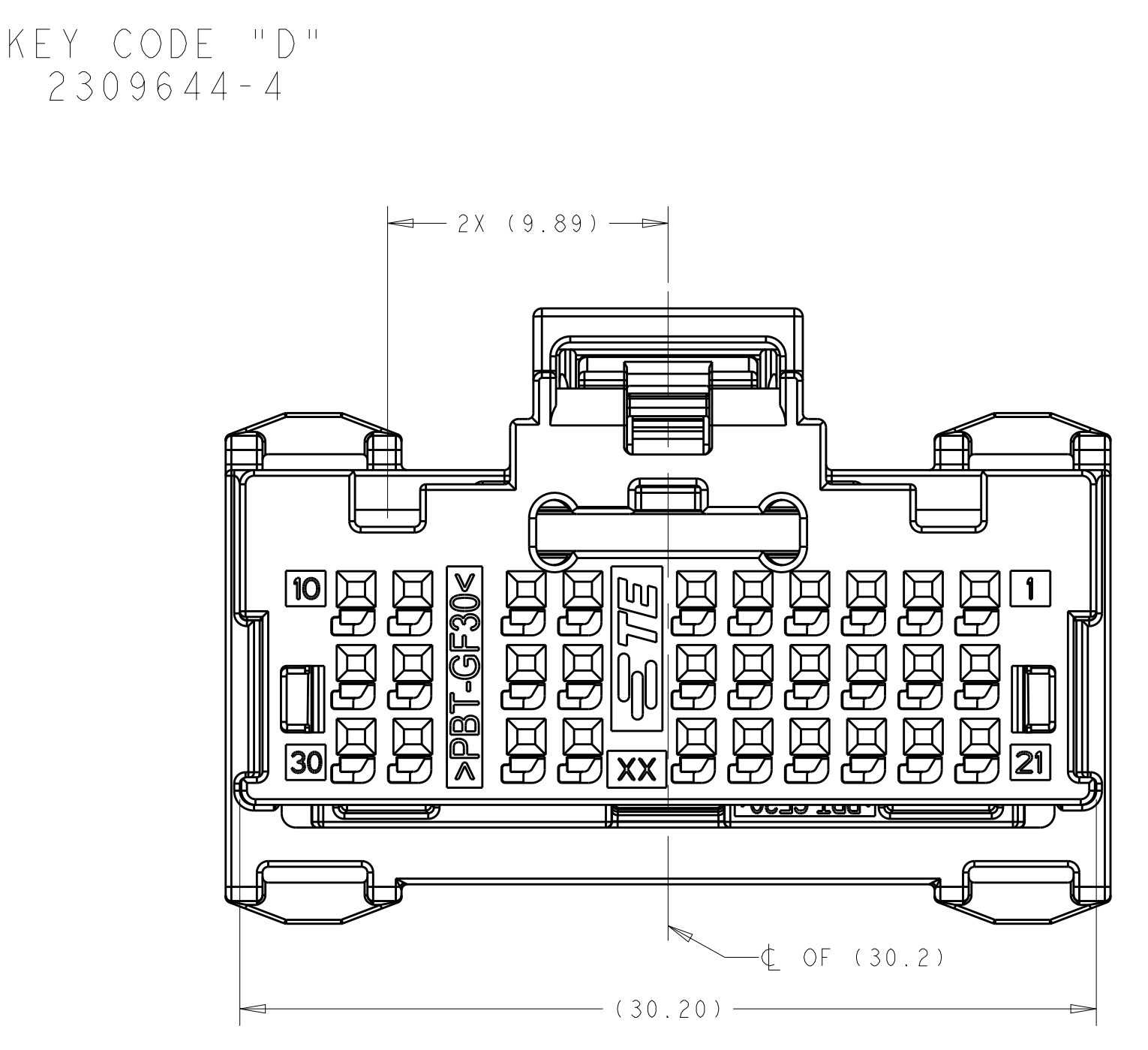
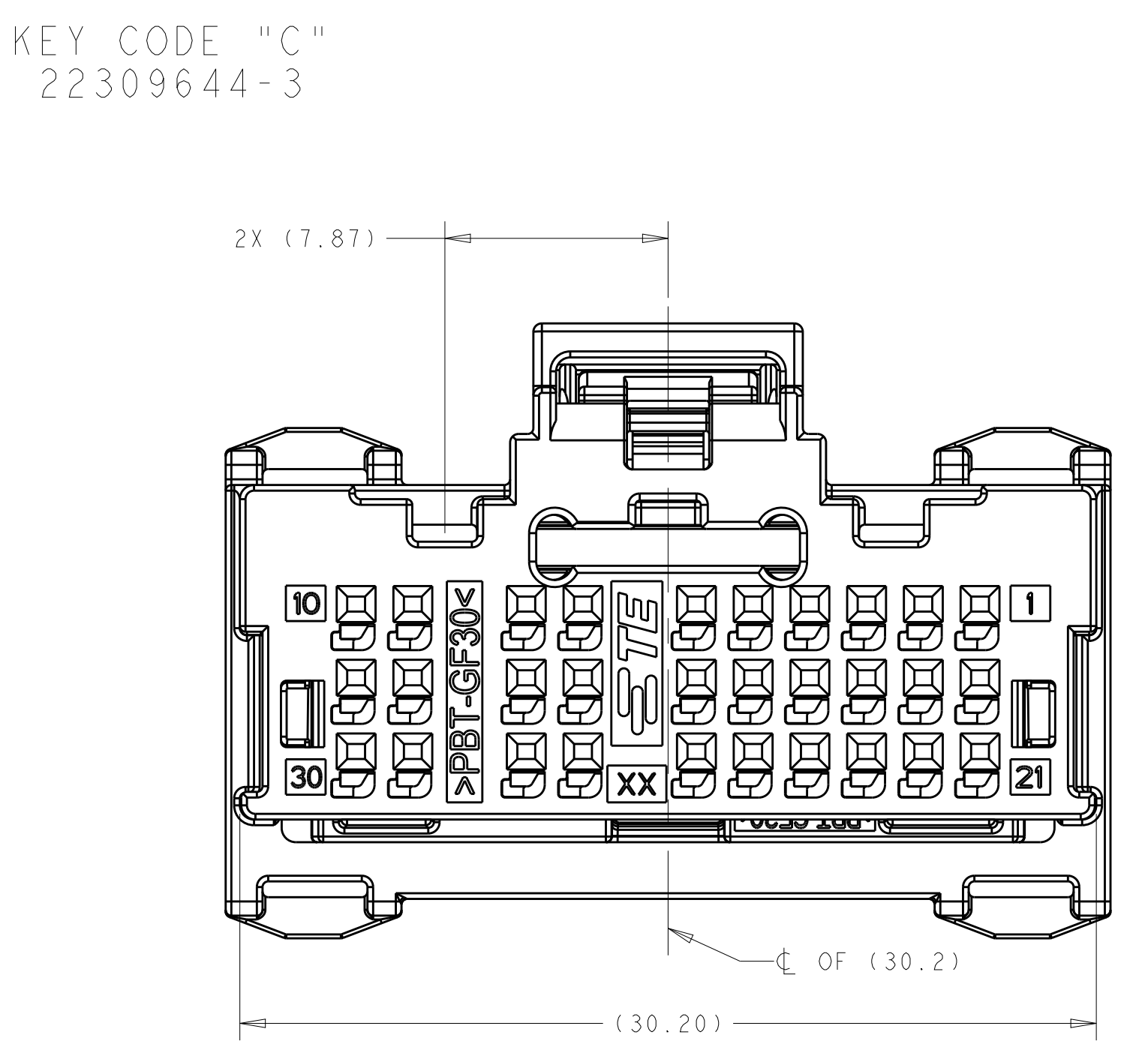
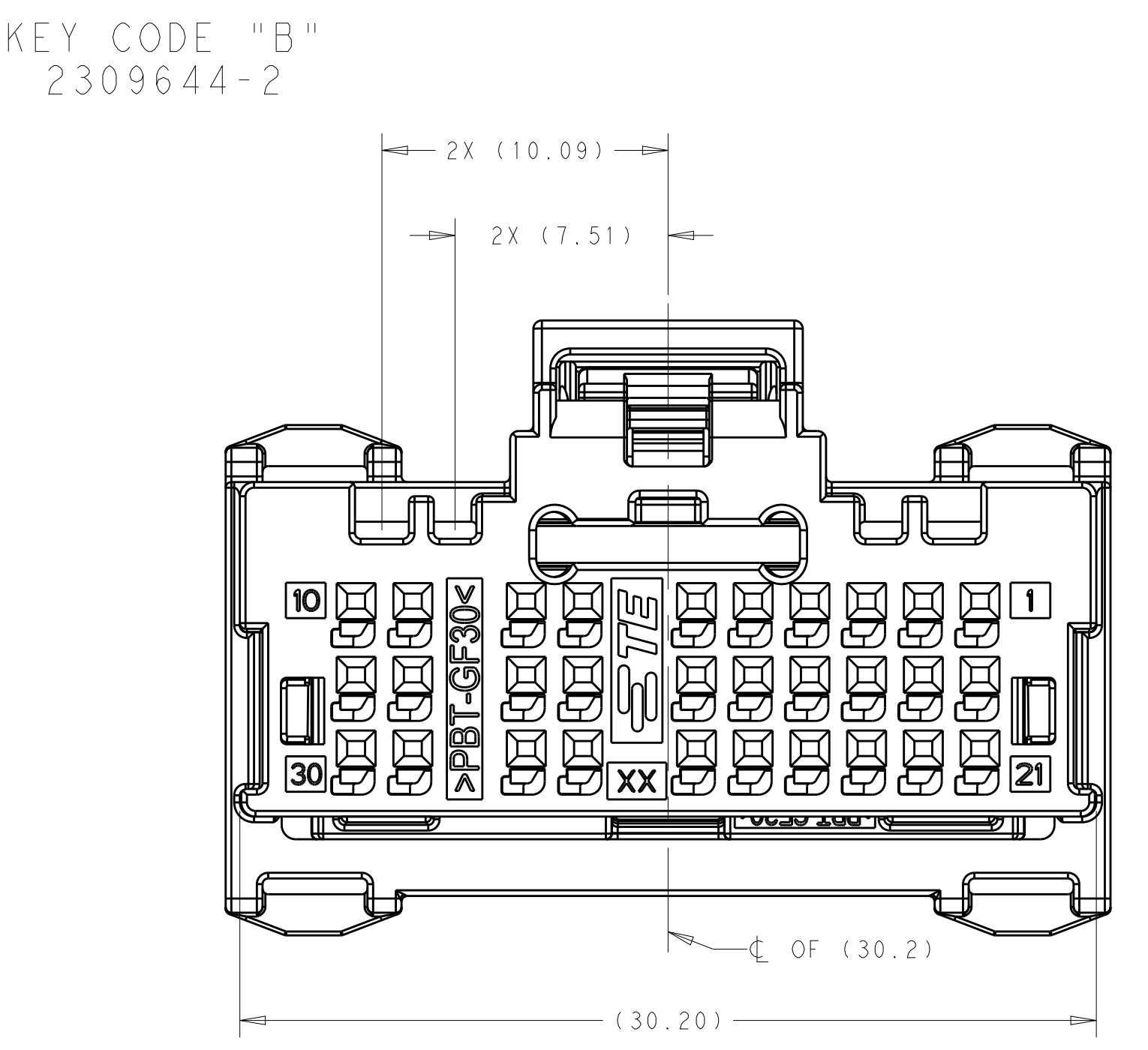
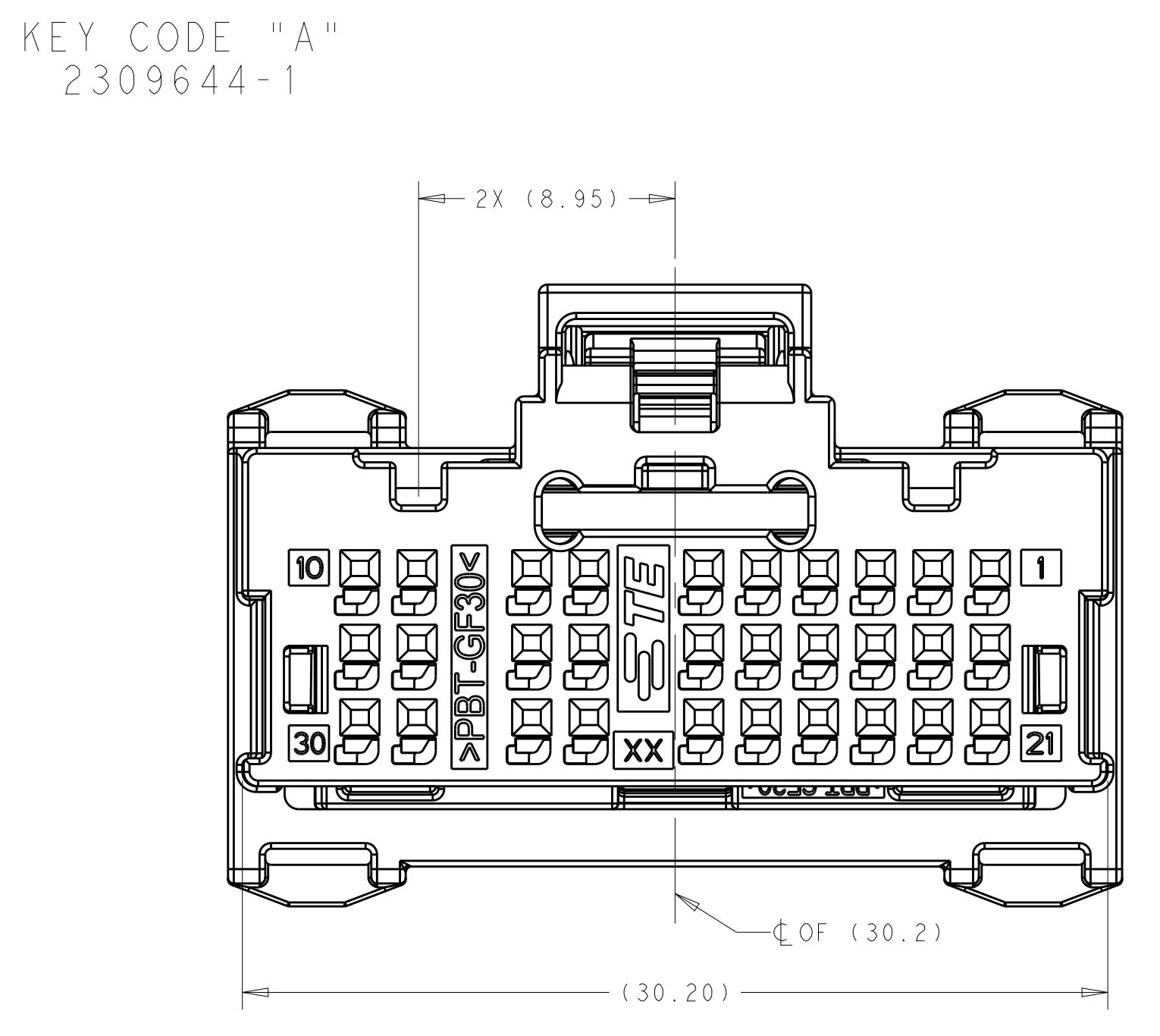
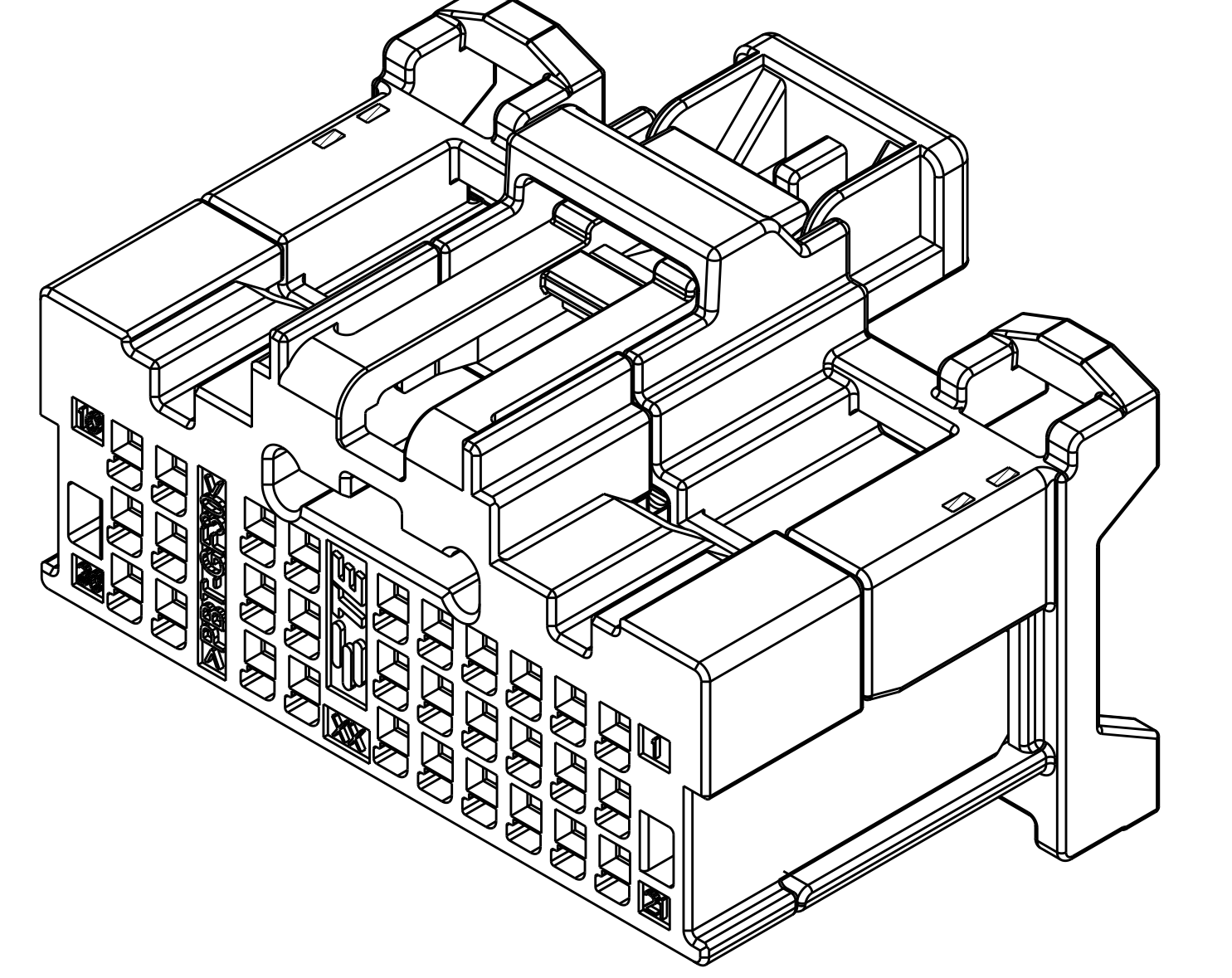
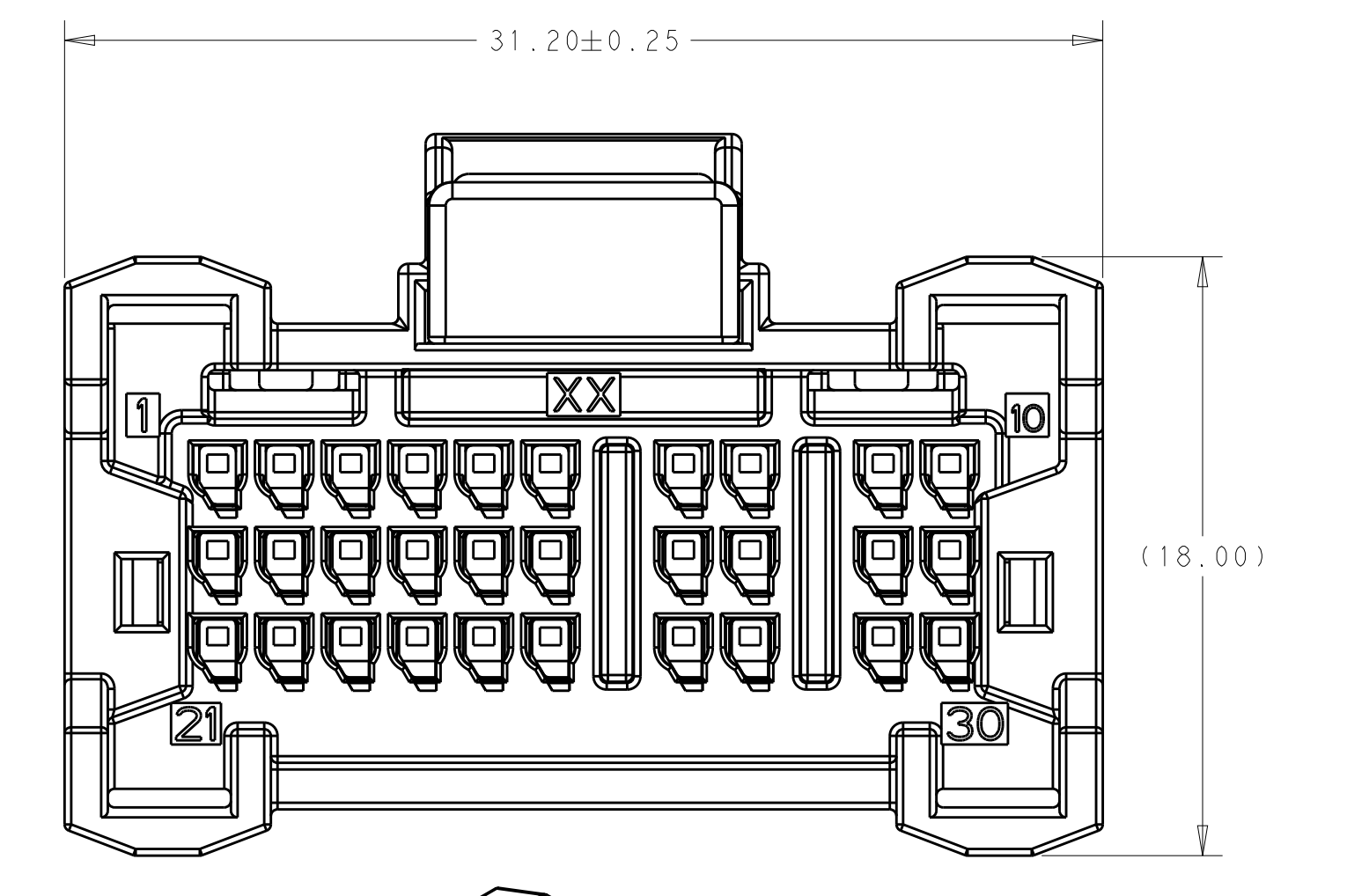
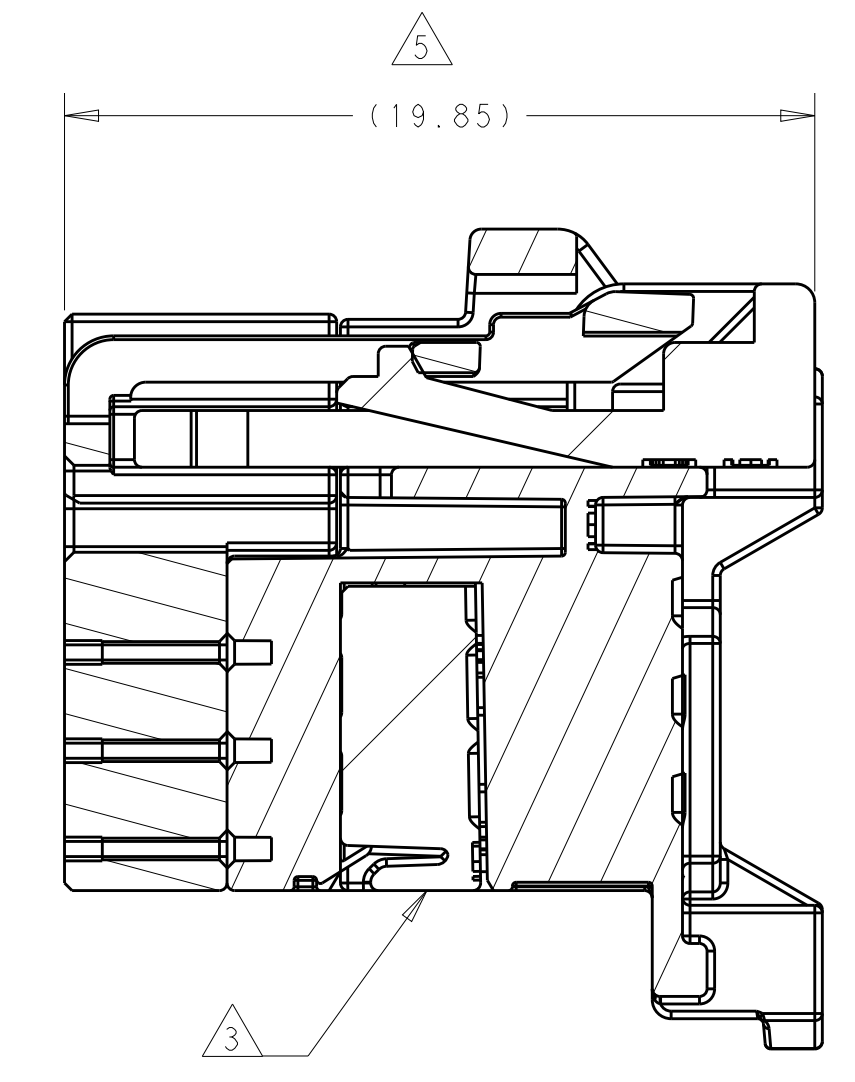
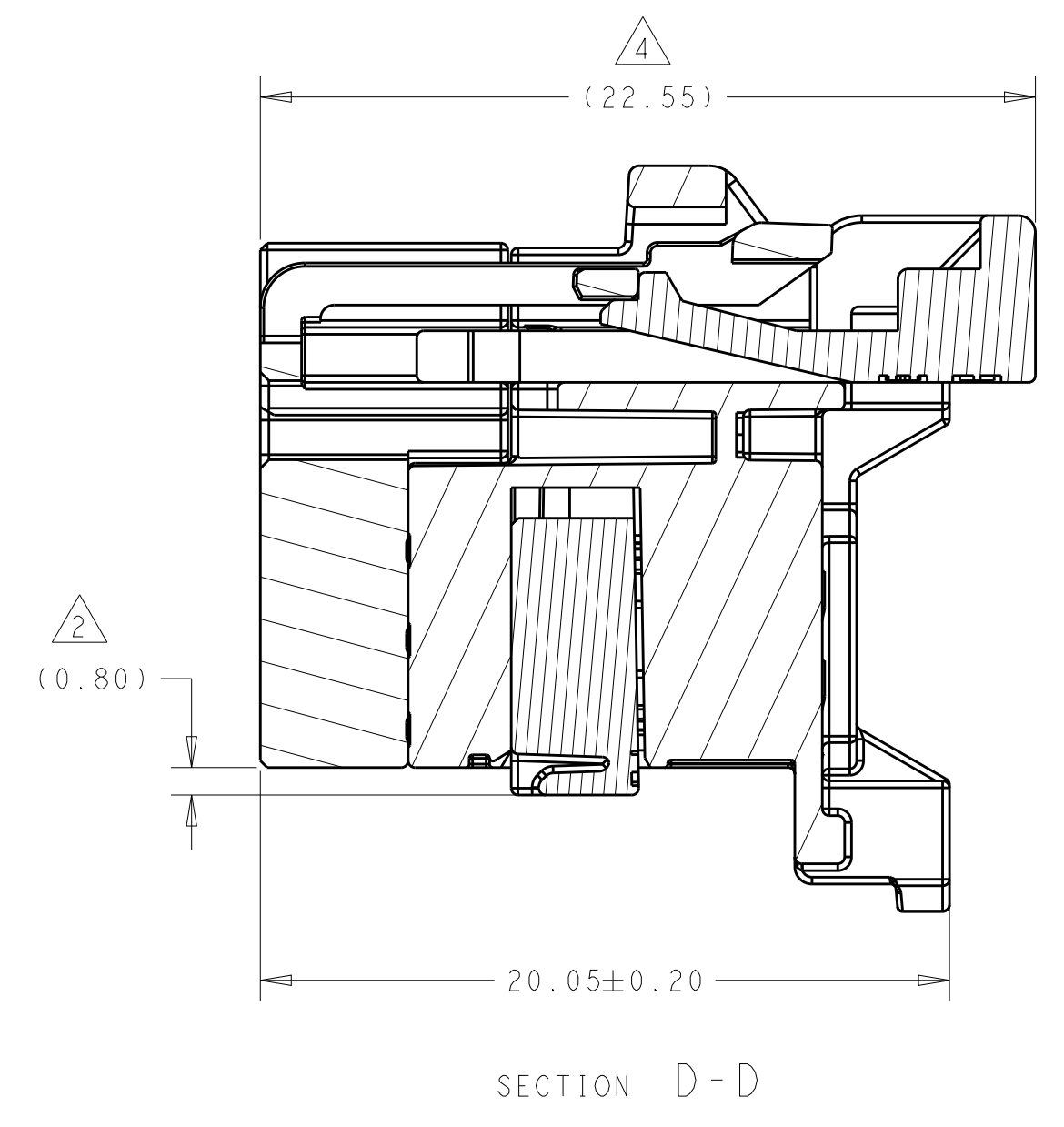
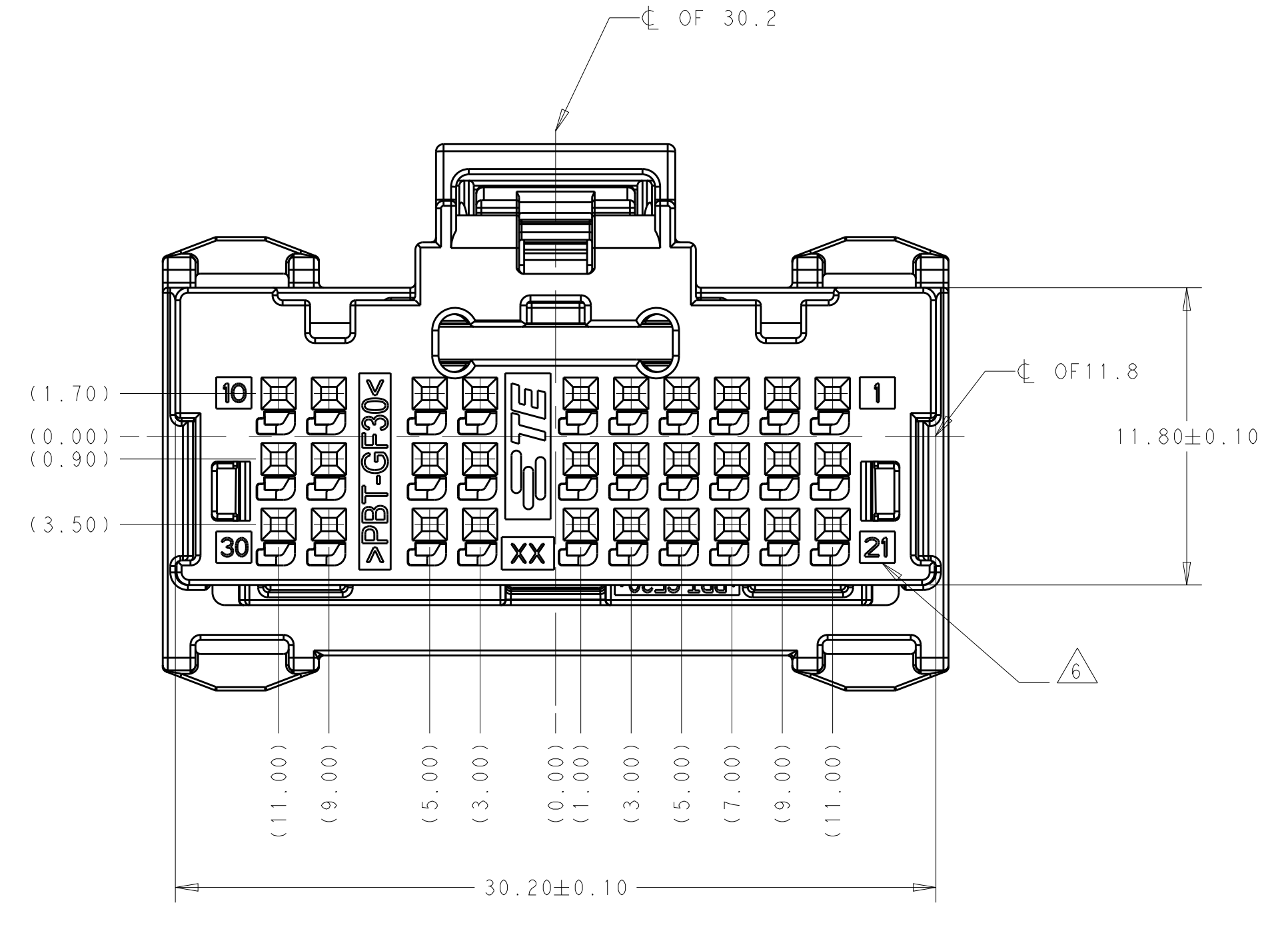


EXPLODED VIEW

REVISIONS				
P	LTN	DESCRIPTION	DATE	APPD
A		RELEASED PER ECO-17-012585	25AUG2017	KP RK
B		REVISED PER ECO-18-004174	16MAR2018	JMS RK



- 2309644 SHOWN. SEE PART LIST AND KEYING ARRANGEMENT VIEWS TABLE.
- △ SECONDARY LOCK IN THE PRE-LOCKED POSITION. IF SECONDARY LOCK CLOSES DURING SHIPPING, RESET TO PRE-LOCK POSITION.
- △ SECONDARY LOCK IN THE LOCKED POSITION.
- △ CPA IN THE UNLOCKED POSITION.
- △ CPA IN LOCKED POSITION.
- △ CIRCUIT I D.
- TO BE USED WITH TE TERMINAL PART NUMBER 2272196, SOLD SEPARATELY.
- OPTIONAL REVERSIBLE WIRE COVER AVAILABLE:
P/N 2300772-1 (TOP EXIT)
P/N 2300842-1 (SIDE EXIT)
- FOR INFORMATION ON USAGE REFERENCE INSTRUCTION SHEET 408-32188
- PN 2300772-1 AND 2300842-1 WIRE DRESS COVERS ARE TO BE USED AS PER USCAR-25 RECOMMENDATION, FOR ADDITIONAL APPLICATION INFORMATION PLEASE CONTACT TE CONNECTIVITY.



QTY	REQD	PER	ASSY	DESCRIPTION	ITEM NO.
1	1	1	1	CPA	4
1	1	1	1	SECONDARY LOCK	3
1	1	1	1	BACK HOUSING	2
1	-	-	-	FRONT HOUSING CODE D	1
-	1	-	-	FRONT HOUSING CODE C	1
-	-	1	-	FRONT HOUSING CODE B	1
-	-	-	1	FRONT HOUSING CODE A	1
2309644-4	2309644-3	2309644-2	2309644-1	DESCRIPTION	ITEM NO.

THIS DRAWING IS A CONTROLLED DOCUMENT. DATE: 15 APR 2017. TISHA MINGO. CHK: GALEN MARIN. DATE: 15 APR 2017. DATE: 15 APR 2017. GALEN MARIN. DATE: 15 APR 2017. GALEN MARIN. DATE: 15 APR 2017.

TE Connectivity
STE
 30P NANOMOS/050LL CONNECTOR WITH CPA

SCALE: 5:1
 SHEET: 1 OF 1
 REV: 0