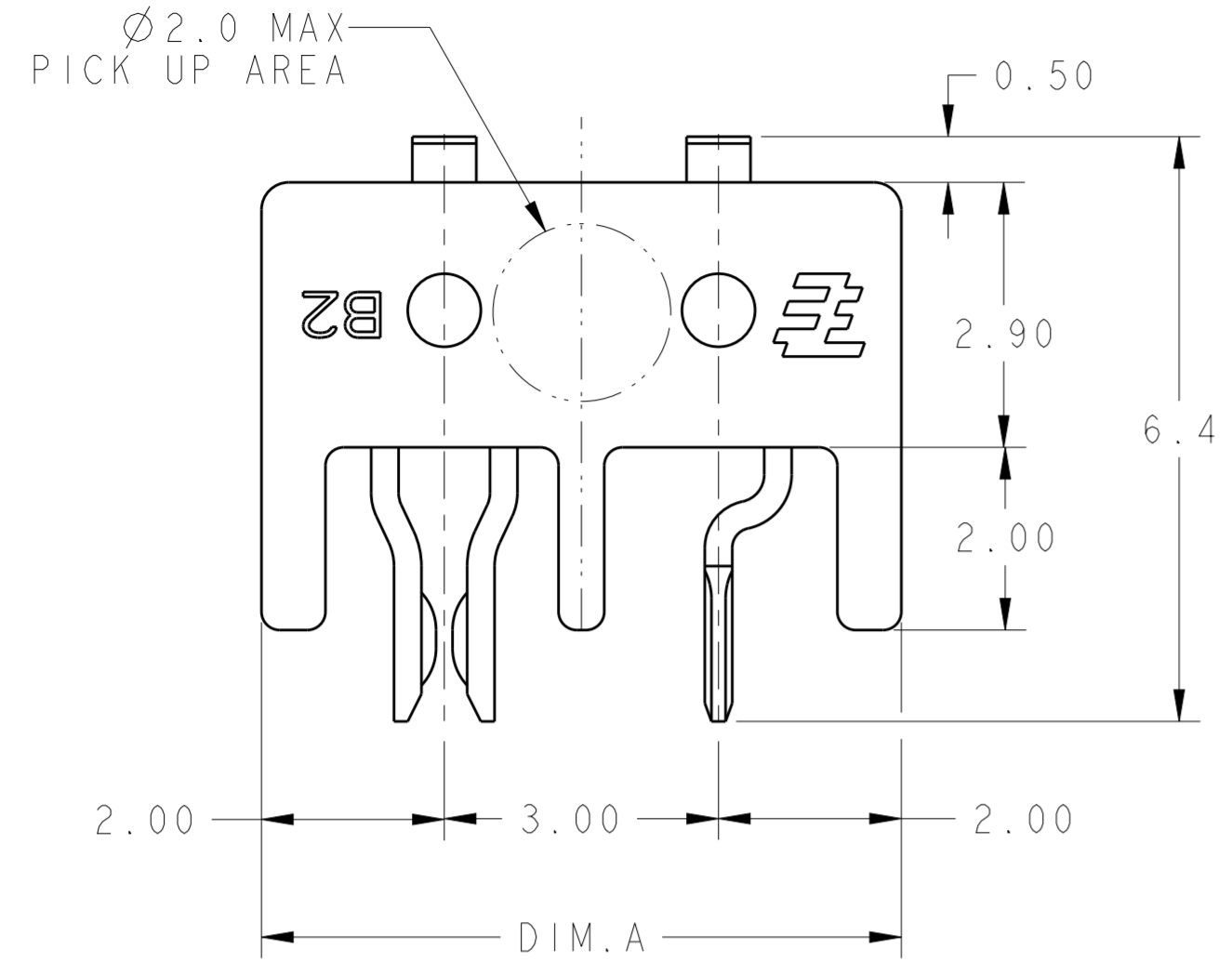


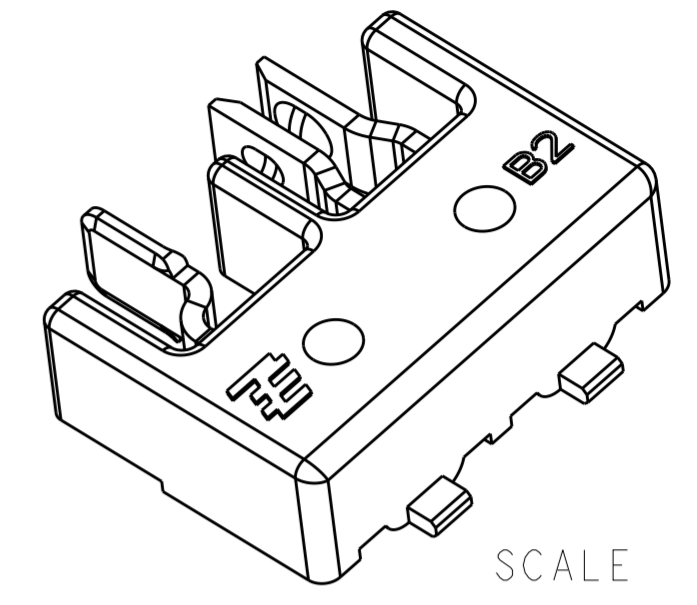
THIS DRAWING IS UNPUBLISHED. RELEASED FOR PUBLICATION 20
 © COPYRIGHT 20 BY - ALL RIGHTS RESERVED.

REVISIONS					
P	LTR	DESCRIPTION	DATE	DWN	APVD
A		REVISED PER ECR-16-009478	01JUL2016	RS	PO

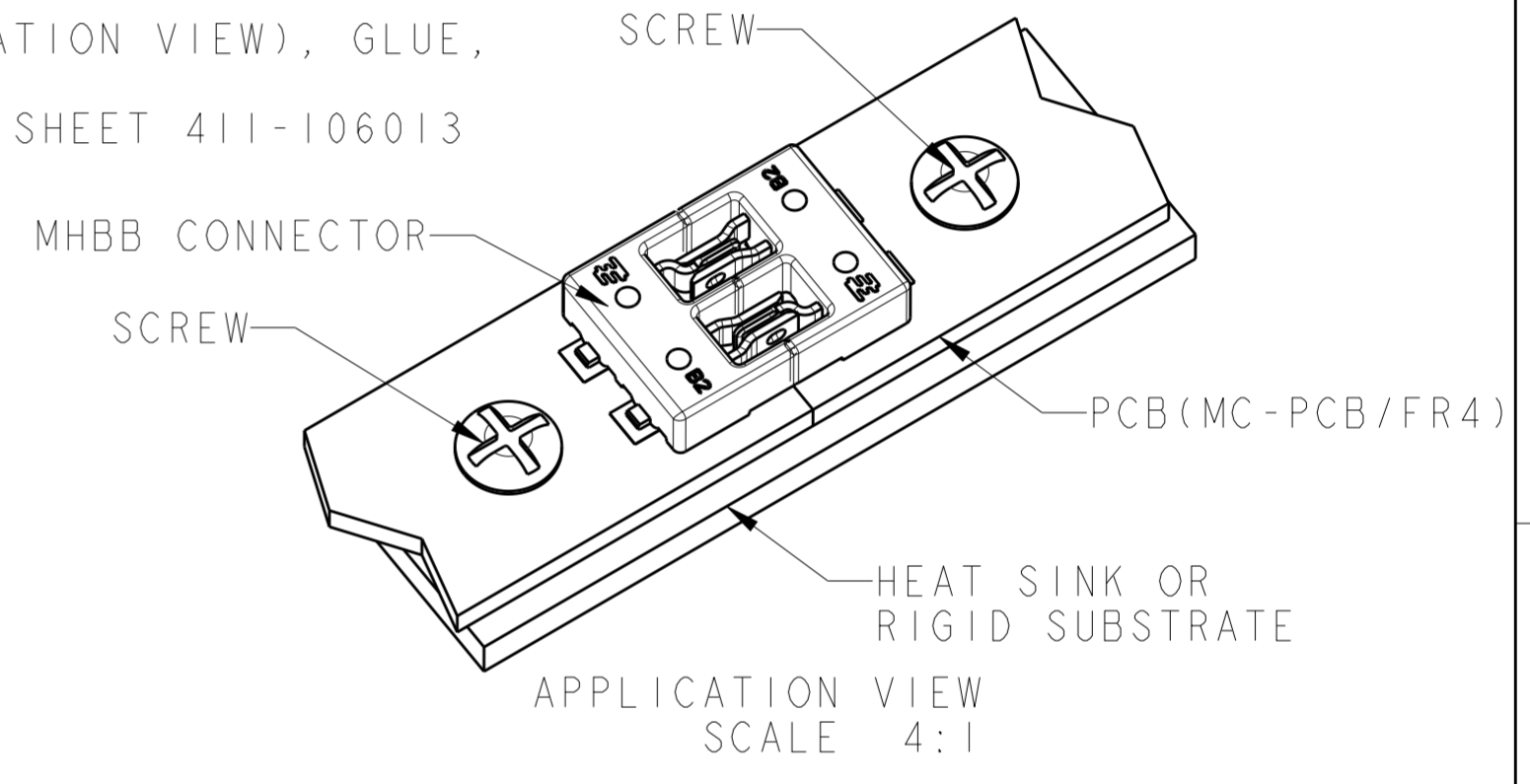
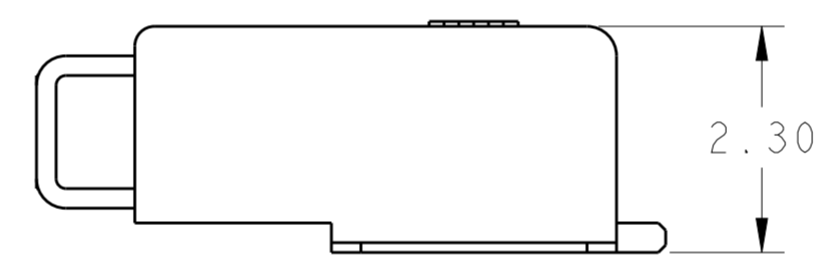
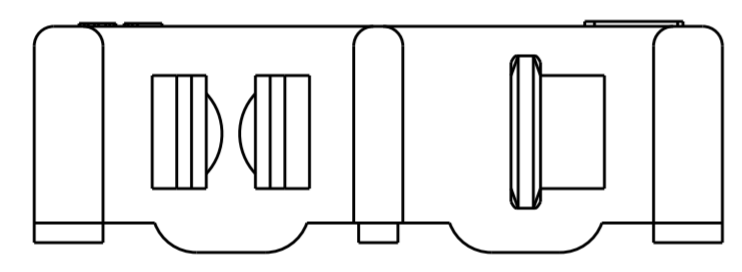


NOTES:

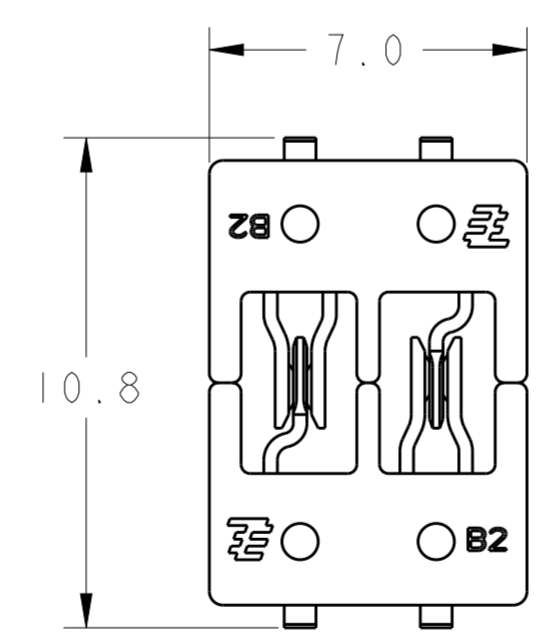
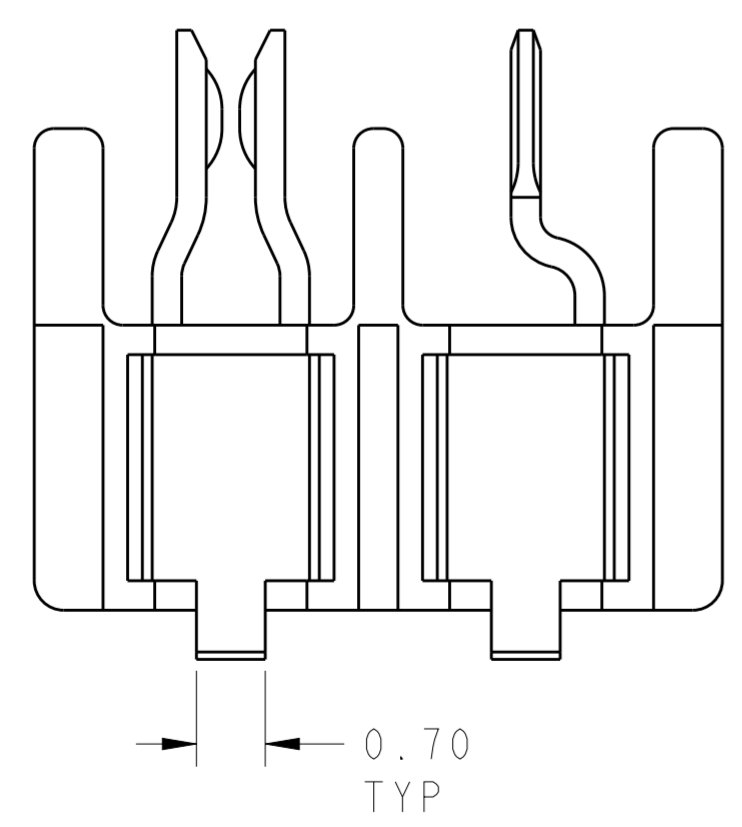
1. PACKAGED IN TAPE AND REEL PER EIA-481 SPECIFICATIONS.
2. MATERIAL AND FINISH:
 -HOUSING: THERMAL PLASTIC
 -PIN CONTACT:BRASS
 -SOCKET CONTACT:COPPER ALLOY
 -FINISH:SELECT GOLD OVER NICKEL.
3. SUITABLE FOR SMT PROCESS.
4. TO ENSURE THE FUNCTION OF THE MINIATURE HERMAPHRODITIC B-B CONNECTORS, THE PCB WITH MINIATURE HERMAPHRODITIC B-B CONNECTORS SHOULD BE FIXED ON THE HEAT SINK OR SOME OTHER RIGID SUBSTRATE.
 CUSTOMER CAN USE SCREW (SHOW AS APPLICATION VIEW), GLUE, OR SOME OTHER METHOD TO FIX THE PCBs.
 FOR DETAIL PLEASE REFER TO INSTRUCTION SHEET 411-106013



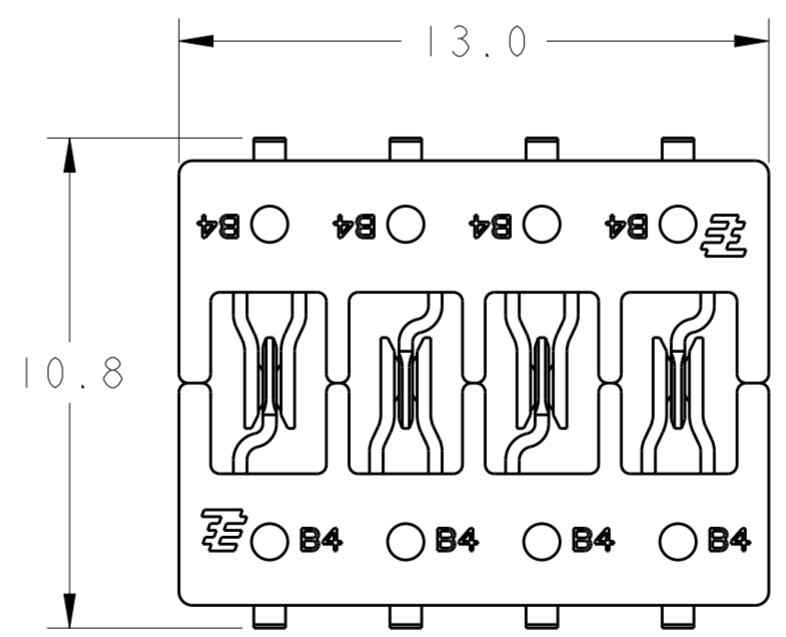
SCALE 10:1



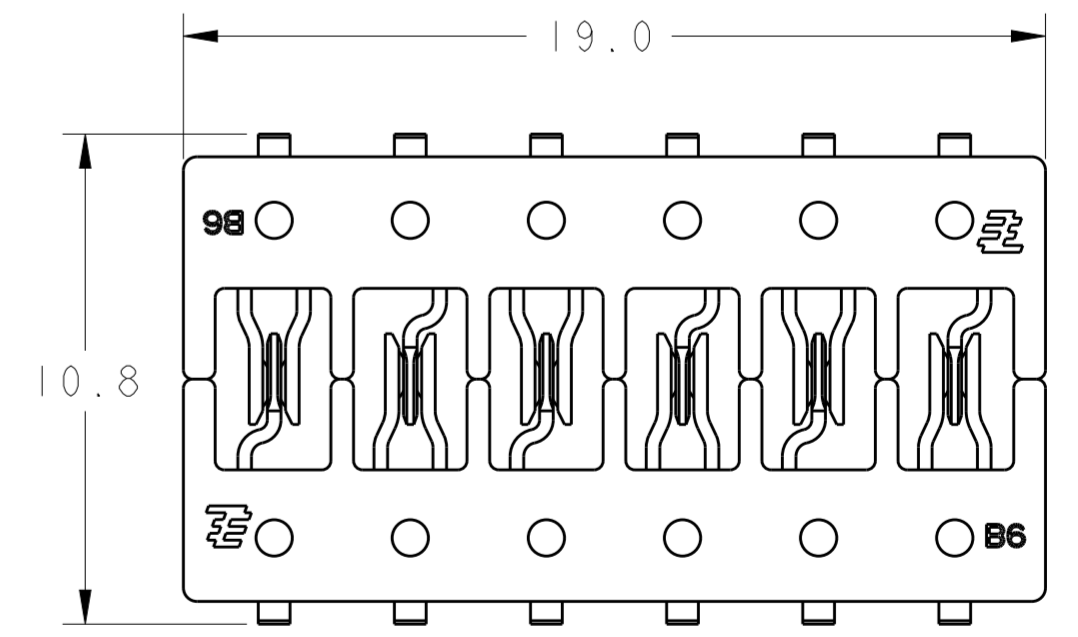
APPLICATION VIEW
SCALE 4:1



2306038-1(2 MATING PARTS)
SCALE 6:1



2306038-2(2 MATING PARTS)
SCALE 6:1



2306038-3(2 MATING PARTS)
SCALE 6:1

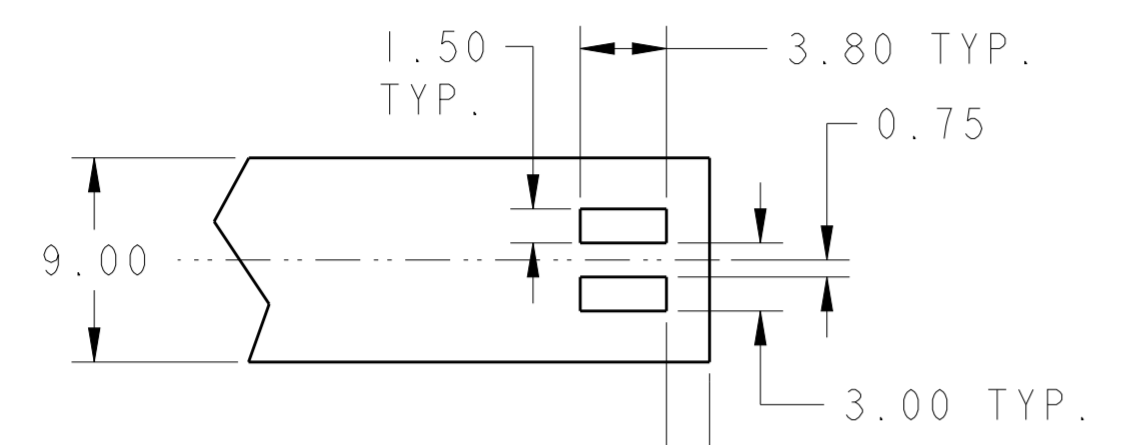
NATURAL	6P	19.0	2306038-3
NATURAL	4P	13.0	2306038-2
NATURAL	2P	7.0	2306038-1
COLOR	POSITION	DIM A	PART NO

THIS DRAWING IS A CONTROLLED DOCUMENT.

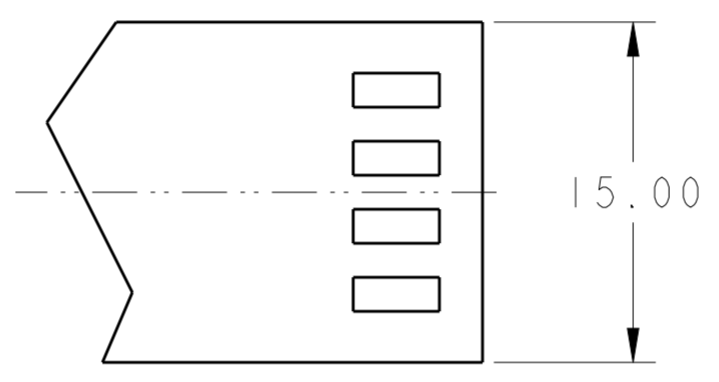
DIMENSIONS: mm	TOLERANCES UNLESS OTHERWISE SPECIFIED: 0 PLC ± 1 PLC ±0.2 2 PLC ±0.13 3 PLC ±0.013 4 PLC ±0.0001 ANGLES ± FINISH	DWN RAVLS 26 JUN 2016 CHK OTT PETER 26 JUN 2016 APVD OTT PETER 26 JUN 2016	TE Connectivity	
MATERIAL		PRODUCT SPEC 108-106050 APPLICATION SPEC 114-106050	NAME MINIATURE HERMAPHRODITIC BOARD TO BOARD CONNECTOR	
		WEIGHT -	SIZE A2	CAGE CODE 00779
		CUSTOMER DRAWING	DRAWING NO C-2306038	RESTRICTED TO -
			SCALE 13:1	SHEET 1 OF 2 REV A

THIS DRAWING IS UNPUBLISHED. RELEASED FOR PUBLICATION 20
 © COPYRIGHT 20 BY - ALL RIGHTS RESERVED.

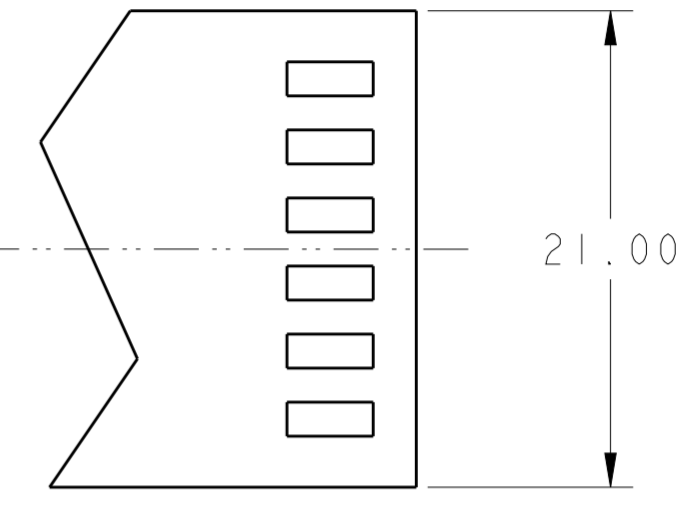
LOC		DIST		REVISIONS			
P	LTR	DESCRIPTION	DATE	DWN	APVD		
-	-	SEE SHEET 1	-	-	-		



(TYPE 1: HORIZONTALLY MATED ONLY)
 (TYPE 2: CAN BE BOTH VERTICALLY AND HORIZONTALLY MATED)
 RECOMMENDED PCB LAYOUT FOR 2306038-1 (±0.10mm)
 SCALE 3:1

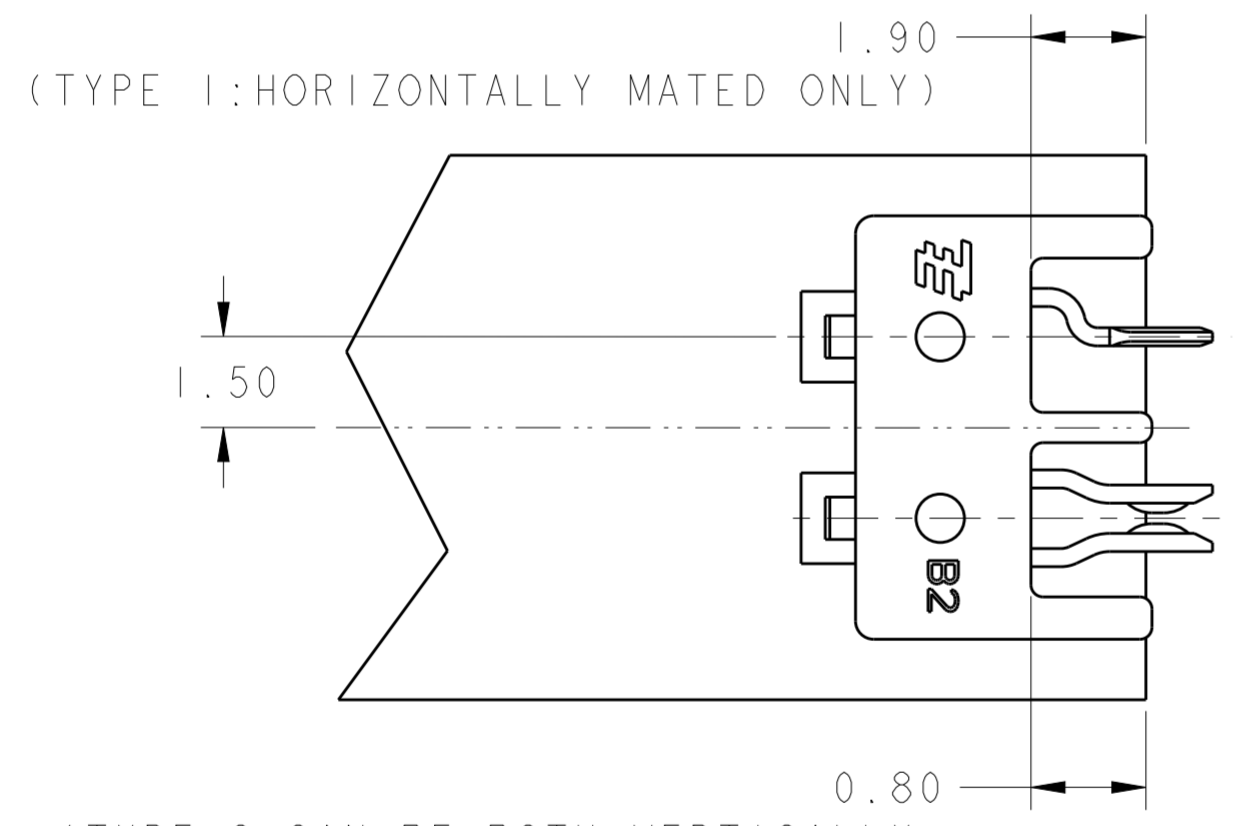


RECOMMENDED PCB LAYOUT FOR 2306038-2 (±0.10mm)
 SCALE 3:1

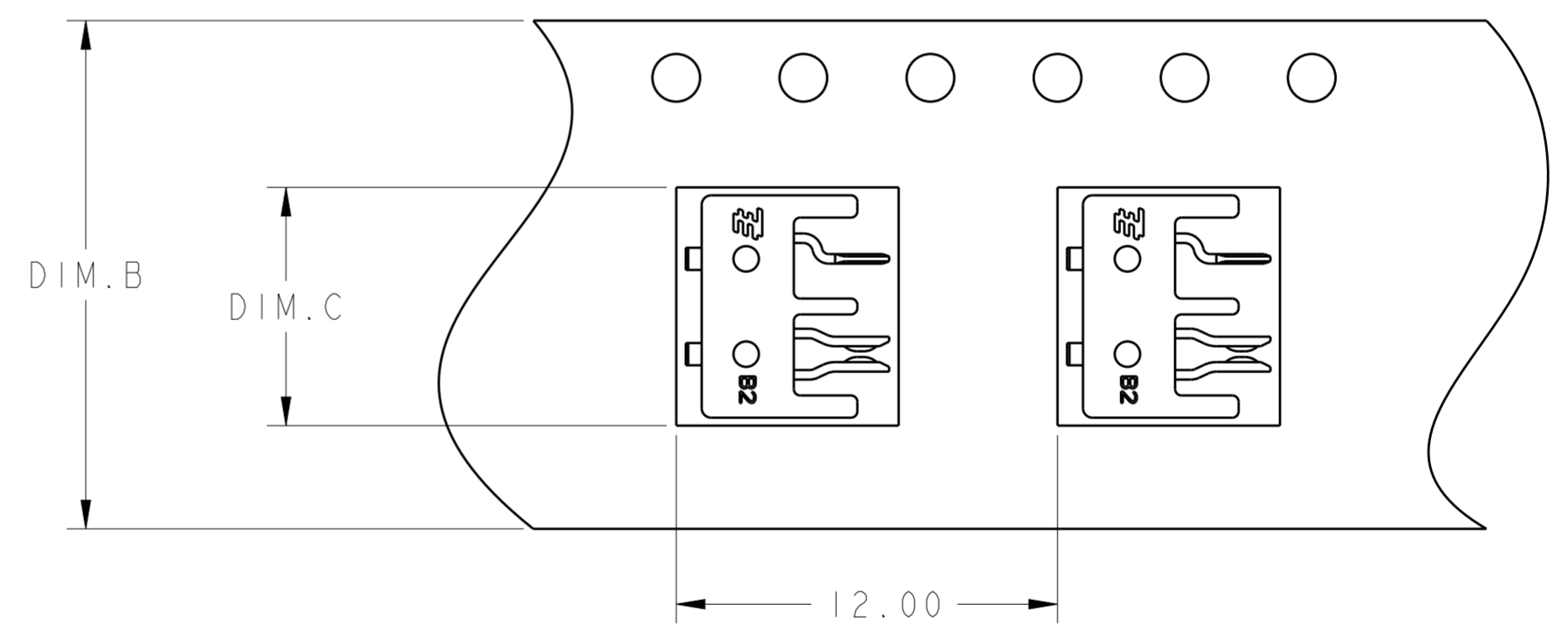


RECOMMENDED PCB LAYOUT FOR 2306038-3 (±0.10mm)
 SCALE 3:1

ALL FEATURES AND DIMENSIONS OF PCB LAYOUT FOR 2306038-2, 2306038-3 ARE THE SAME AS PCB LAYOUT FOR 2306038-1 EXCEPT AS SHOWN



(TYPE 1: HORIZONTALLY MATED ONLY)
 (TYPE 2: CAN BE BOTH VERTICALLY AND HORIZONTALLY MATED)
 SOLDERING LAYOUT (±0.10mm)
 SCALE 8:1



TO BE PACKAGED AS SHOWN (±0.10mm)
 SCALE 5:1

6P	19.30	32.00	2306038-3
4P	13.30	24.00	2306038-2
2P	7.30	16.00	2306038-1
POSITION	DIM.C	DIM.B	FOR P/N

THIS DRAWING IS A CONTROLLED DOCUMENT.		DWN RAVI.S 26 JUN 2016	TE Connectivity
DIMENSIONS: mm		CHK OIT PETER 26 JUN 2016	
TOLERANCES UNLESS OTHERWISE SPECIFIED: 0 PLC ± 1 PLC ±0.5 2 PLC ±0.13 3 PLC ±0.013 4 PLC ±0.0001 ANGLES ± FINISH -		APVD OIT PETER 26 JUN 2016	
MATERIAL -		PRODUCT SPEC 108-106050	NAME MINIATURE HERMAPHRODITIC BOARD TO BOARD CONNECTOR
		APPLICATION SPEC 114-106050	SIZE CAGE CODE DRAWING NO RESTRICTED TO
		WEIGHT -	A200779 C-2306038
		CUSTOMER DRAWING	SCALE 3:1 SHEET 2 OF 2 REV A