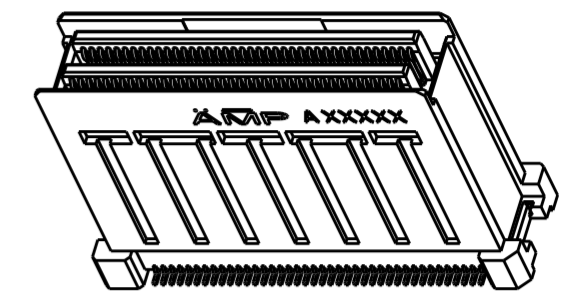
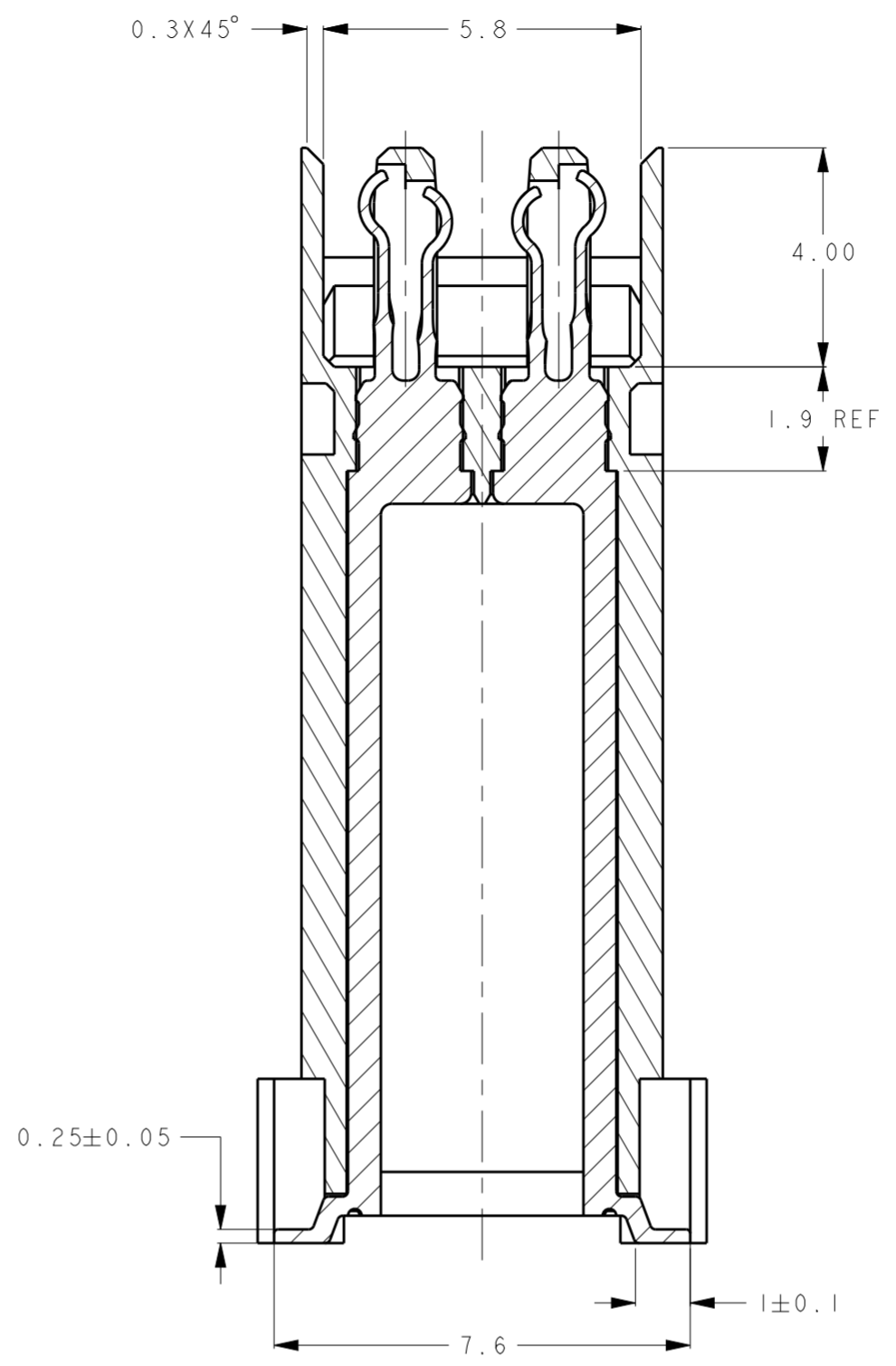
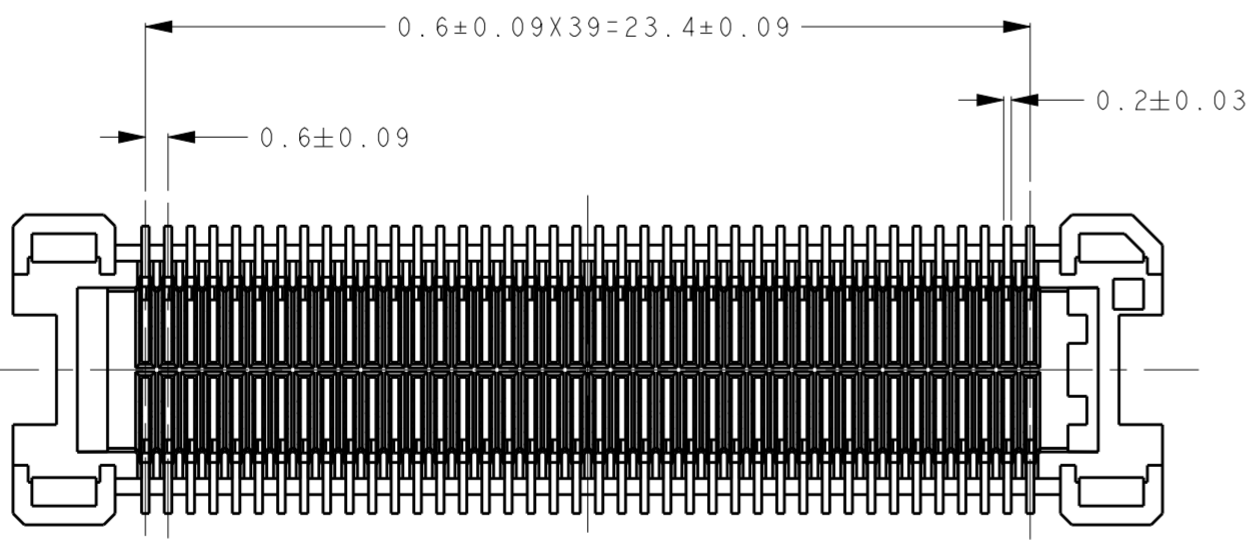
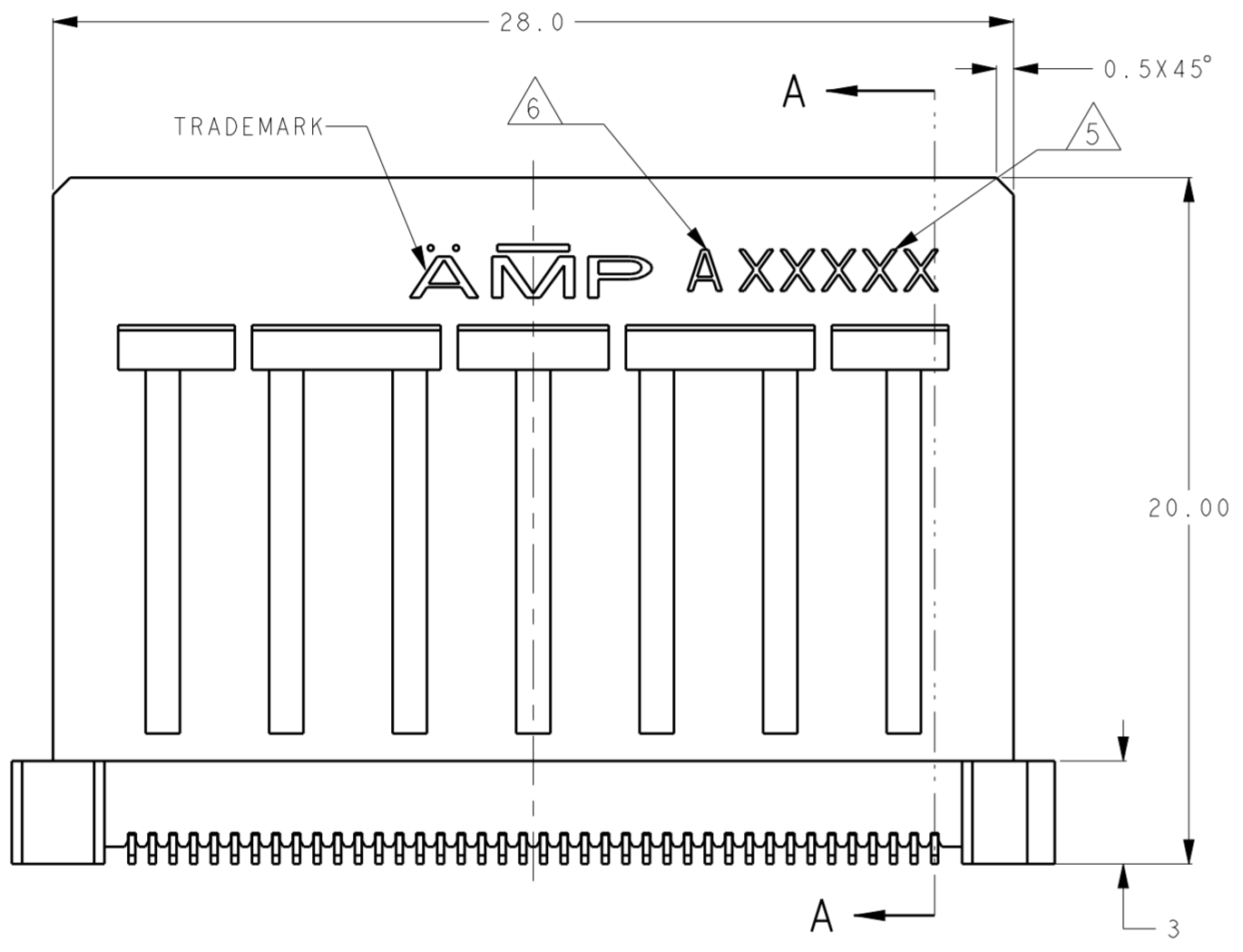
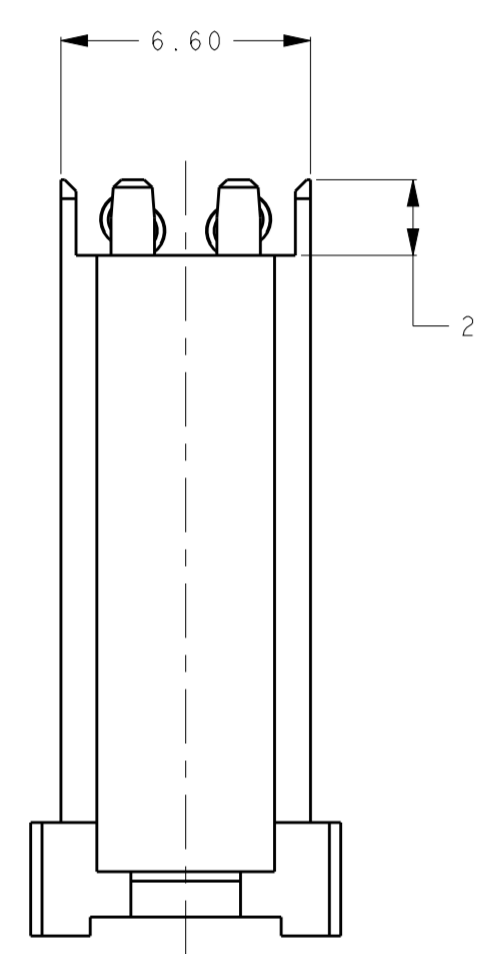
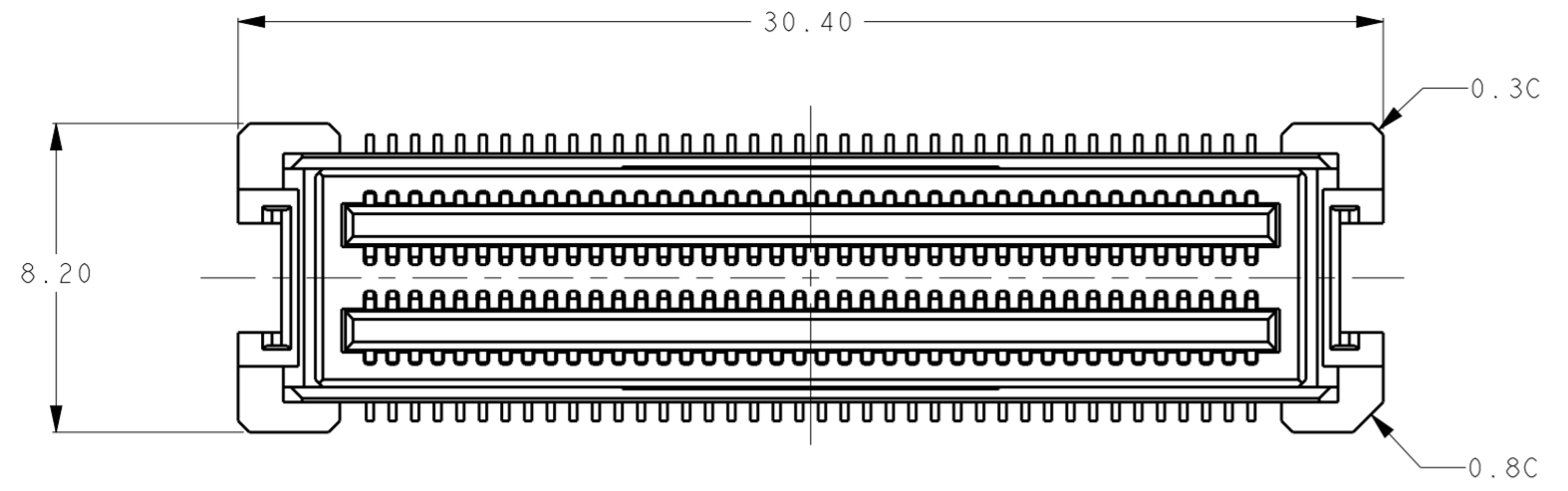
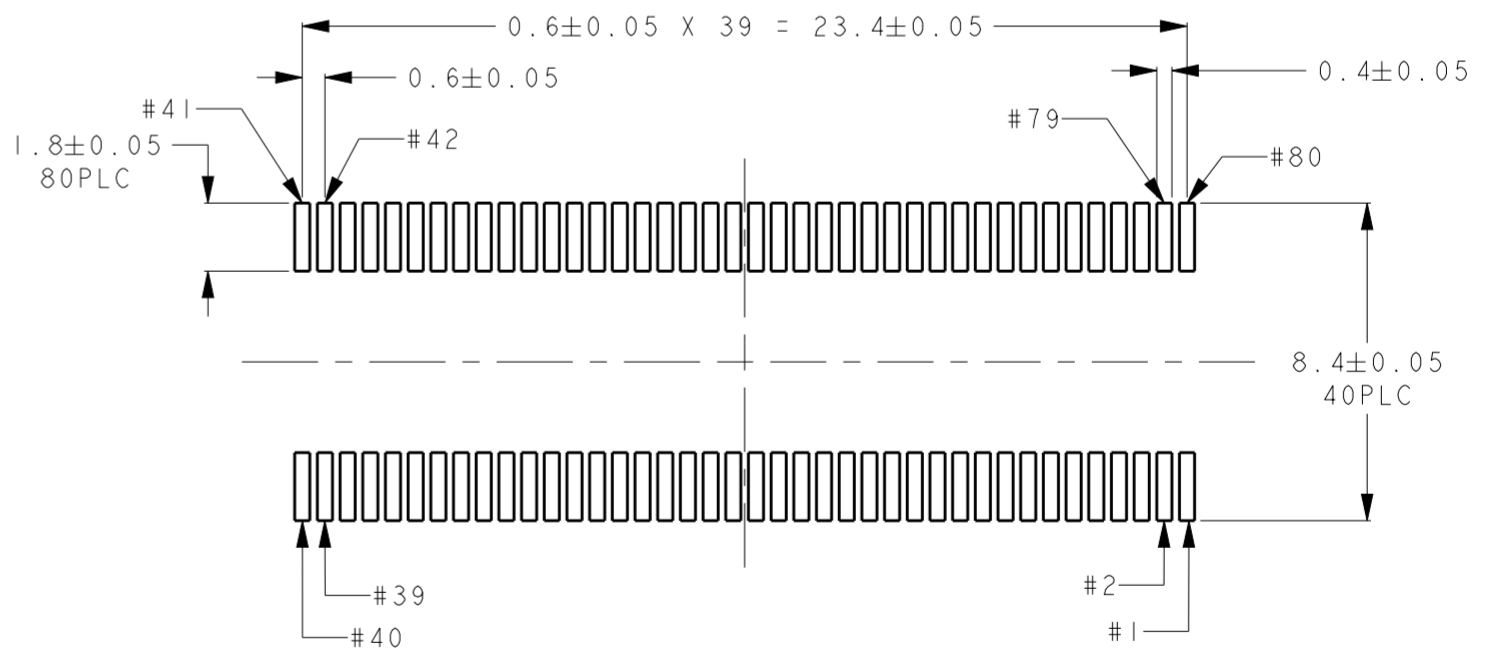


THIS DRAWING IS UNPUBLISHED. RELEASED FOR PUBLICATION 20
 © COPYRIGHT 20 BY - ALL RIGHTS RESERVED.

REVISIONS				
P	LTR	DESCRIPTION	DATE	APVD
A		RELEASED	25OCT2016	T.G N.Y



SCALE 2:1



推奨基板取付寸法
 RECOMMENDED PCB LAYOUT

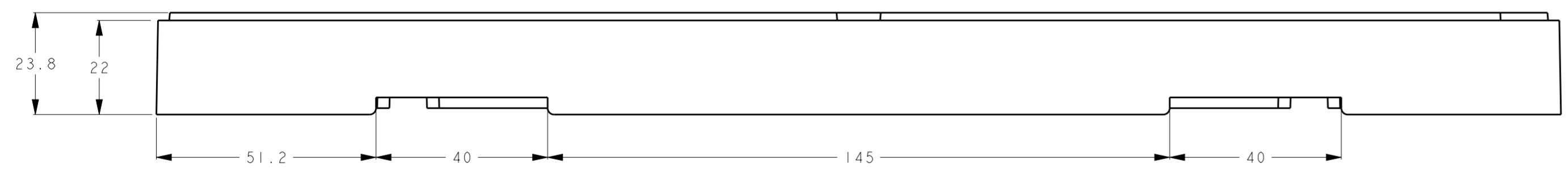
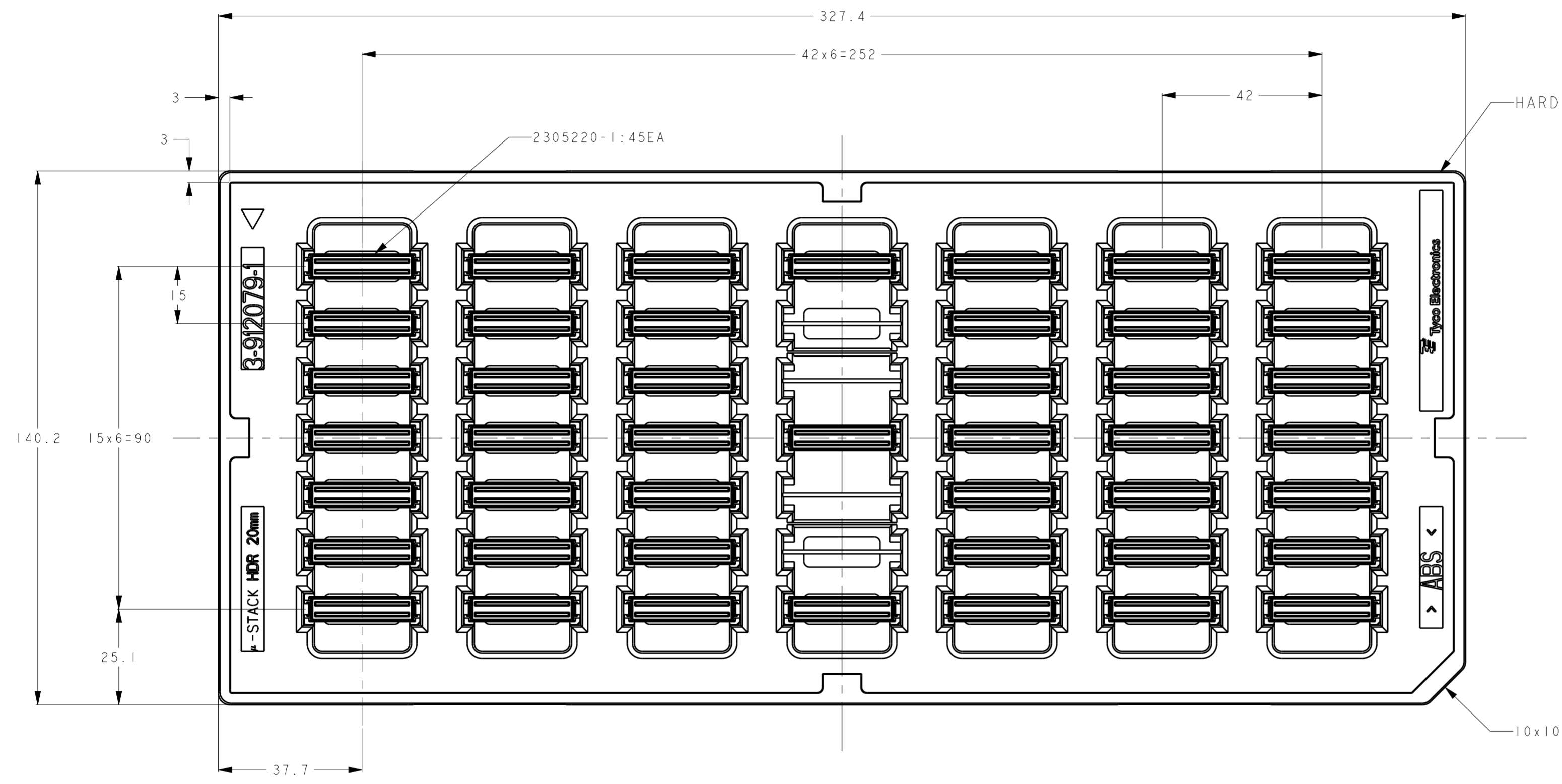
- 1 MATERIAL : HOUSING; LCP
- 2 FINISH : CONTACT; COPPER ALLOY
 : UNDER Ni PL. 0.8μmMIN
 CONTACT AREA: Au PL. 0.1μmMIN
 SOLDERING AREA: Au FLASH
- 3. COPLANARITY 0.1MAX.
- 4. SHOULD BE PUT 45 CONNECTORS IN HARD TRAY. (SEE SHEET 2)
- 5 MARKED THE DATE CODE IN THE SHOWN AREA.
 MARKED ON EITHER FRONT SIDE OR BACK SIDE.
- 6 IDENTIFIER FOR 0.1μm GOLD PLATING

- 1 材料:ハウジング : 液晶ポリマー
 コンタクト : 銅合金
- 2 仕上げ : 全面ニッケル下地 0.8μmMIN
 接点部 金メッキ 0.1μmMIN
 半田付部 金フラッシュ
- 3. コプラナリティー 0.1MAX
- 4. 梱包形態は、ハードトレイに45個入りとする。(シート2参照)
- 5 テートコードの印字箇所
 ただし、ハウジングの表裏は問わない。
- 6 金メッキ 0.1μm製品の識別記号

THIS DRAWING IS A CONTROLLED DOCUMENT.		DWN T. GOIO 29 JUL 2016	TE Connectivity		2305220-1 PART NO		
DIMENSIONS: 単位: 桁 mm		CHK Y. OKADA 29 JUL 2016			NAME N. YAMASAKI		HDR ASSEMBLY 20mm HEIGHT 0.6mm PITCH 80P MICRO STACK CONNECTOR
TOLERANCES UNLESS OTHERWISE SPECIFIED: 一般公差 0 PLC ±0.3 1 PLC ±0.25 2 PLC ±0.2 3 PLC ± 4 PLC ± ANGLES ±3°		APVD N. YAMASAKI 29 JUL 2016	PRODUCT SPEC 製品規格 108-140125-1		SIZE A2	CAGE CODE 07779	DRAWING NO C-2305220
MATERIAL 材料		WEIGHT 3.86g	APPLICATION SPEC 取付適用規格		RESTRICTED TO		
FINISH 仕上		CUSTOMER DRAWING		SCALE 5:1	SHEET 1	OF 2	

THIS DRAWING IS UNPUBLISHED. RELEASED FOR PUBLICATION 20
 © COPYRIGHT 20 BY - ALL RIGHTS RESERVED.

REVISIONS				
P	LTR	DESCRIPTION	DATE	APVD
-		SEE SHEET 1	-	-



HARD TRAY PACKING SPEC

45	BLACK
CONN QTY	HARD TRAY COLOR

THIS DRAWING IS A CONTROLLED DOCUMENT.

DWN	I. GOITO	29 JUL 2016
CHK	Y. OKADA	29 JUL 2016
APVD	N. YAMASAKI	29 JUL 2016

TE Connectivity

NAME: HDR ASSEMBLY 20mm HEIGHT
 0.6mm PITCH 80P
 MICRO STACK CONNECTOR

SIZE: A2
 CAGE CODE: 0779
 DRAWING NO: C-2305220

RESTRICTED TO: -

WEIGHT: 3.86g

CUSTOMER DRAWING

SCALE: 1:1 SHEET 2 OF 2 REV A