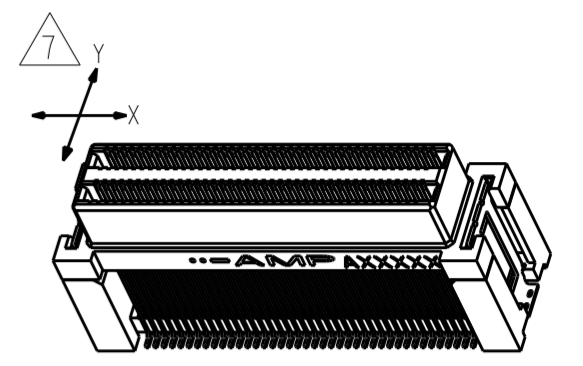
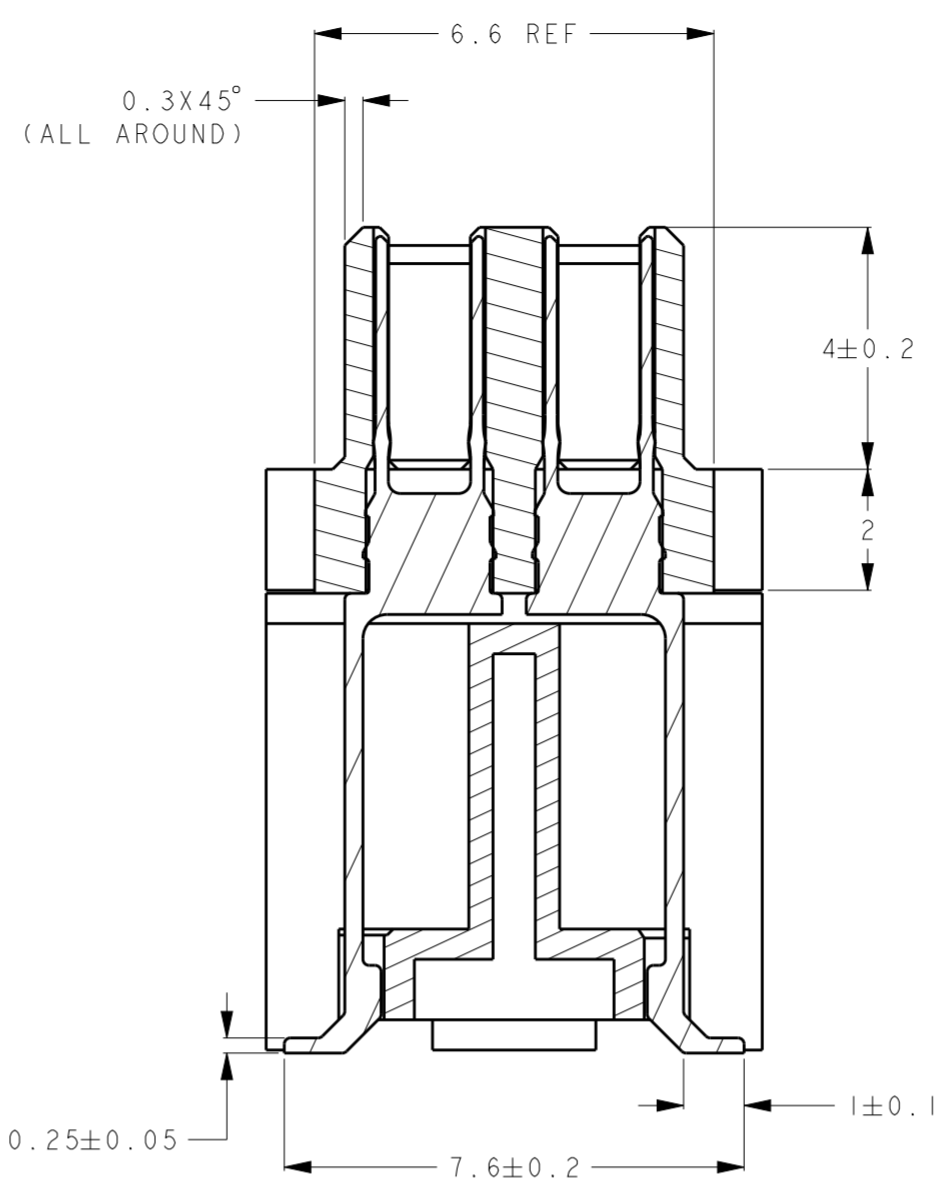
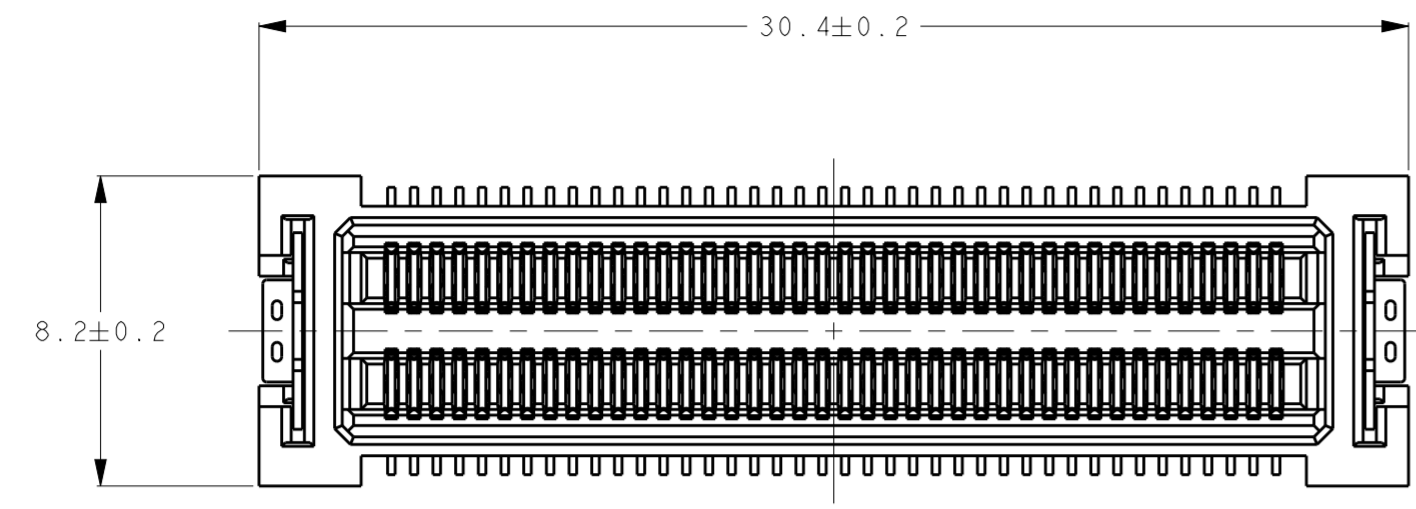
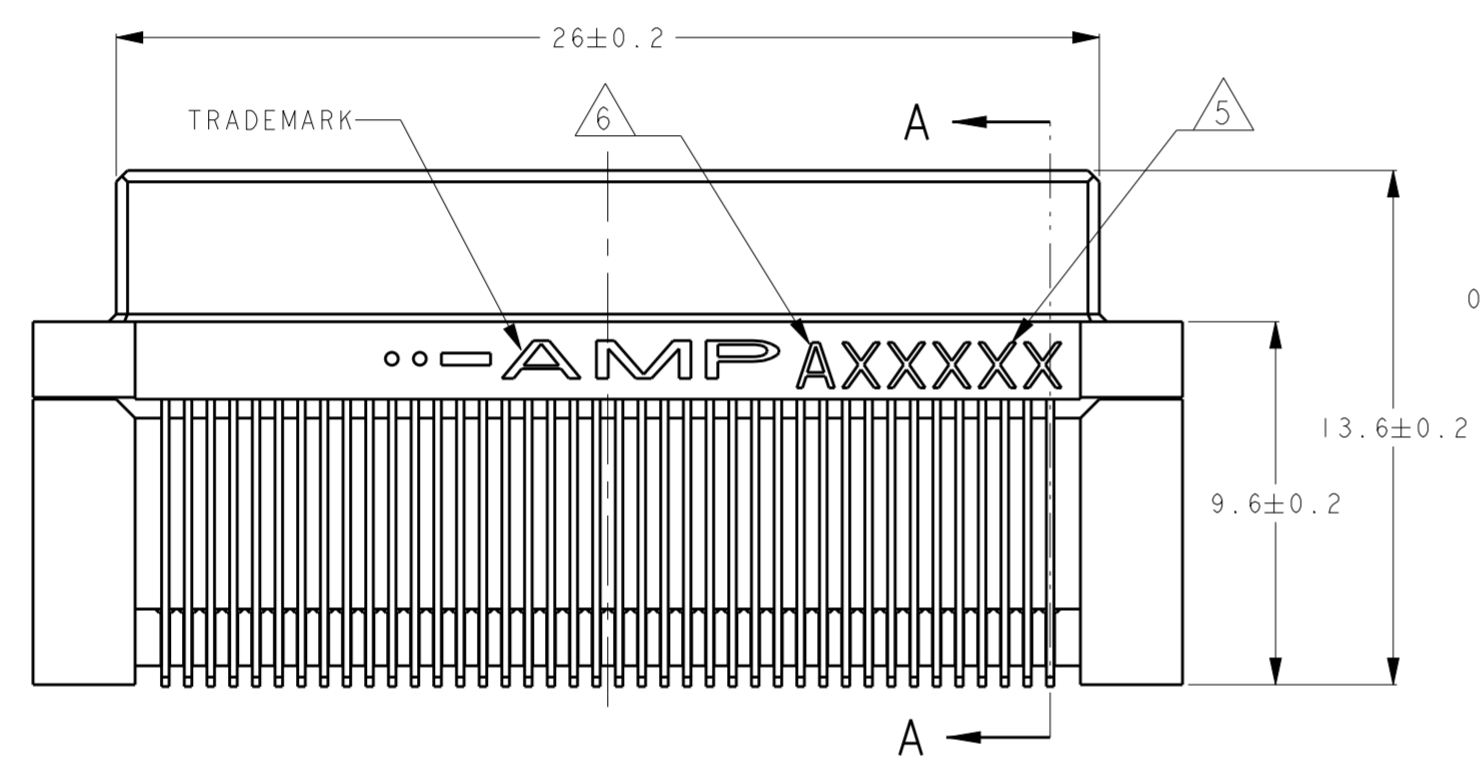
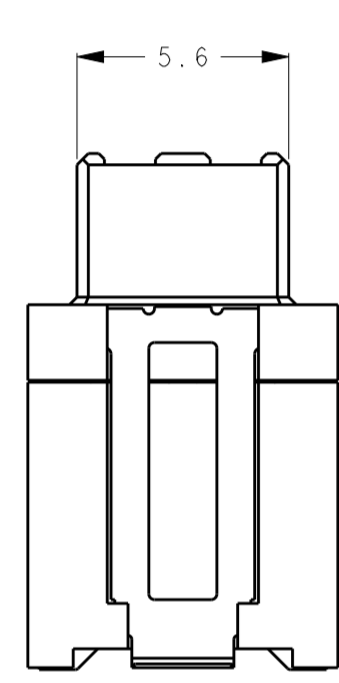


THIS DRAWING IS UNPUBLISHED. RELEASED FOR PUBLICATION 20
 © COPYRIGHT 20 BY - ALL RIGHTS RESERVED.

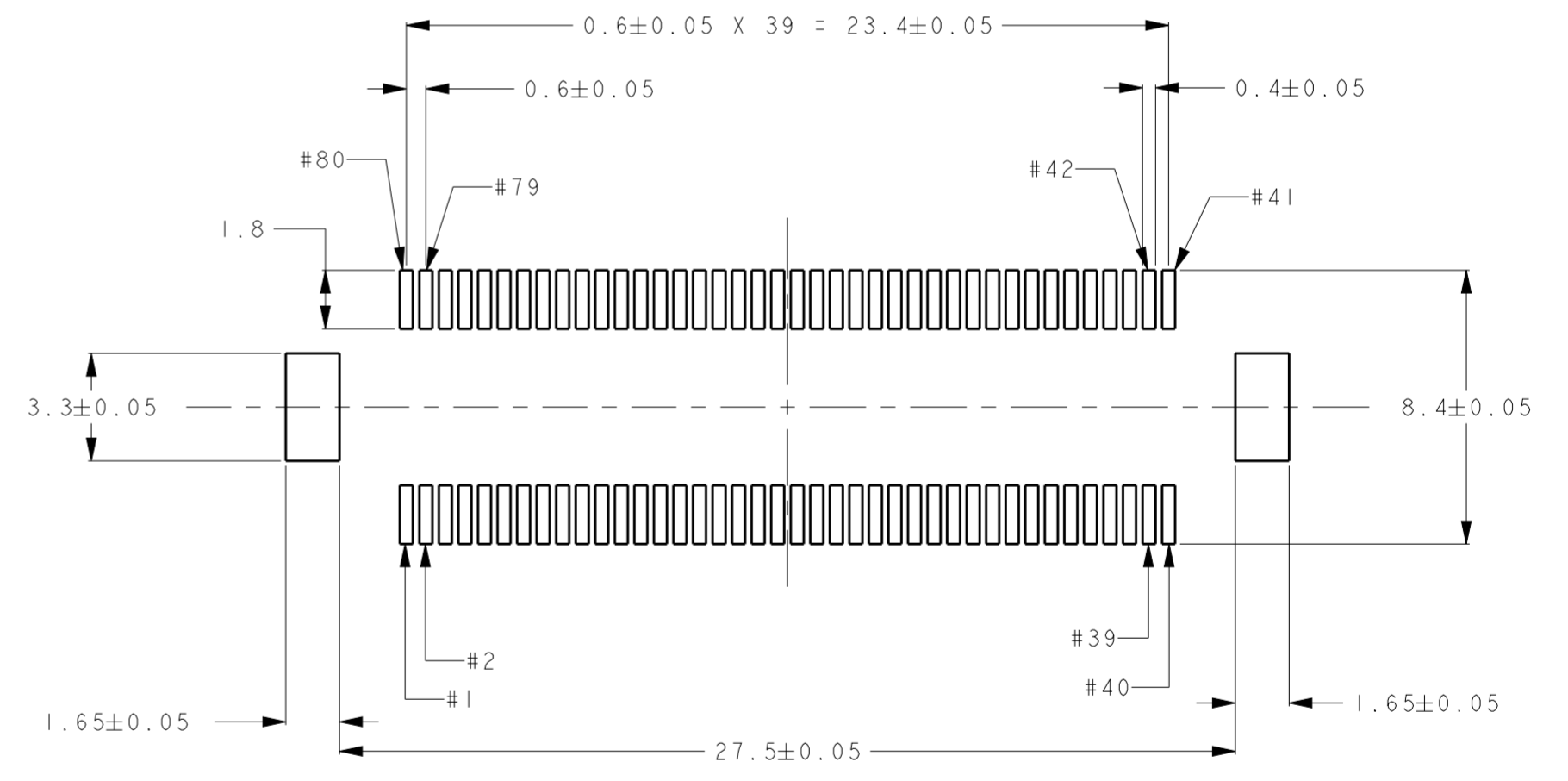
REVISIONS					
P	LTR	DESCRIPTION	DATE	DWN	APVD
A		RELEASED	25OCT2016	T.G	N.Y
B		REVISED PER ECR-17-013826	20SEP2017	T.S	E.T



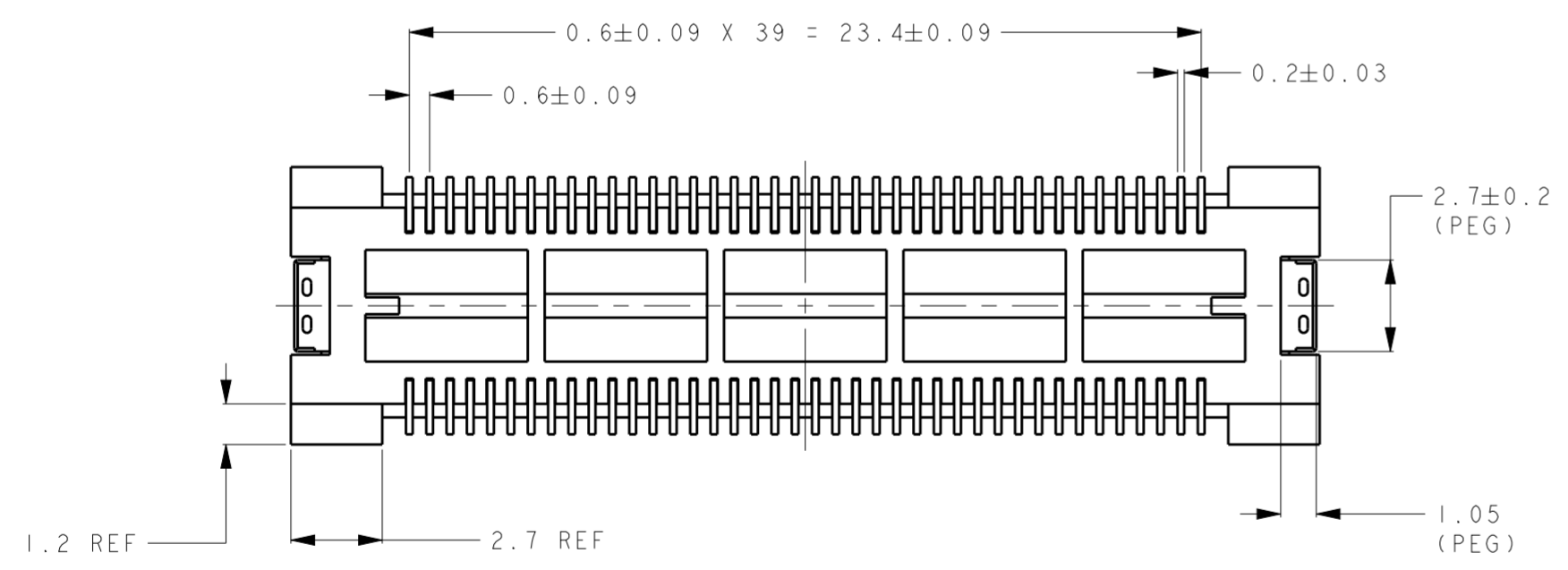
SCALE 2:1



A - A
SCALE 8:1



RECOMMENDED PCB LAYOUT



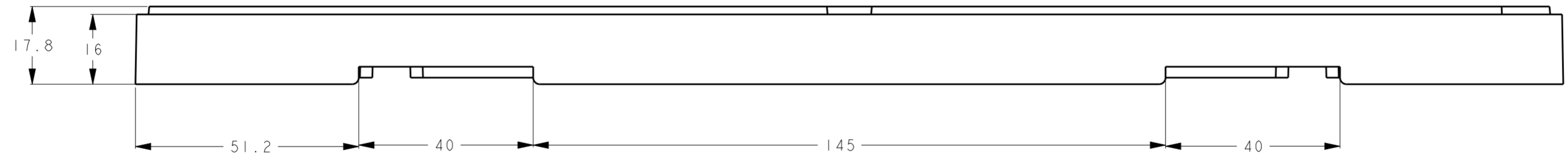
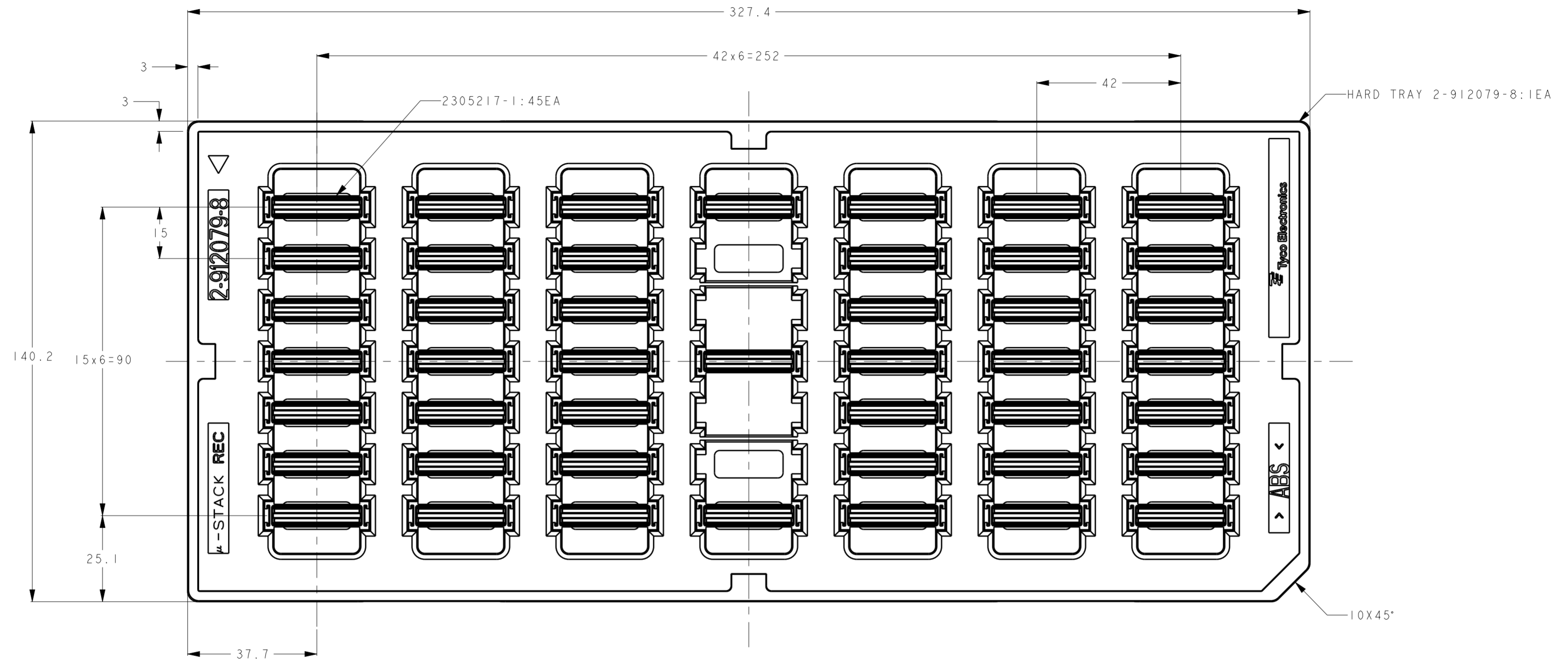
- 1 MATERIAL : HOUSING; LCP
; CONTACT; COPPER ALLOY
- 2 FINISH : UNDER Ni PL. 0.8µmMIN
CONTACT AREA: Au PL. 0.1µmMIN
SOLDERING AREA: Au FLASH
- 3. COPLANARITY 0.1MAX.
- 4. SHOULD BE PUT 45 CONNECTORS IN HARD TRAY, (SEE SHEET 2)
- 5 MARKING THE DATE CODE IN THE SHOWN AREA.
MARK ON EITHER FRONT SIDE OR BACK SIDE.
- 6 IDENTIFIER FOR 0.1µm GOLD PLATING
- 7 FLOATING AMOUNT X, Y DIRECTION ±0.3mm MAX.

2305217-1
PART NO

THIS DRAWING IS A CONTROLLED DOCUMENT.		DWN T. GOTO 01AUG2016	TE Connectivity	
DIMENSIONS: mm		CHK Y. OKADA 01AUG2016		
TOLERANCES UNLESS OTHERWISE SPECIFIED:		APVD N. YAMASAKI 01AUG2016	NAME REC ASSEMBLY 0.6mm PITCH 80P MICRO STACK CONNECTOR	
0 PLC ±0.3 1 PLC ±0.25 2 PLC ±0.2 3 PLC ± 4 PLC ± ANGLES ±3° FINISH		PRODUCT SPEC 108-140125	SIZE A2b0779	
MATERIAL		APPLICATION SPEC	DRAWING NO C-2305217	
1		WEIGHT 3.0g	RESTRICTED TO	
2		CUSTOMER DRAWING	SCALE 5:1 SHEET 1 OF 2 REV B	


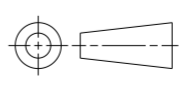
THIS DRAWING IS UNPUBLISHED. RELEASED FOR PUBLICATION 20
 © COPYRIGHT 20 BY - ALL RIGHTS RESERVED.

REVISIONS				
P	LTR	DESCRIPTION	DATE	APVD
-	-	SEE SHEET 1	-	-



HARD TRAY PACKING SPEC

45	BLACK
CONN QTY	HARD TRAY COLOR

THIS DRAWING IS A CONTROLLED DOCUMENT.		DWN I. GOIO	01AUG2016	 TE Connectivity
DIMENSIONS: mm		CHK Y. OKADA	01AUG2016	
		APVD N. YAMASAKI	01AUG2016	
TOLERANCES UNLESS OTHERWISE SPECIFIED:		PRODUCT SPEC	108-140125	
0-PLC ±1 1-PLC ±0.3 2-PLC ±0.25 3-PLC ±0.2 4-PLC ± ANGLES ±3° FINISH -		APPLICATION SPEC	-	NAME REC ASSEMBLY 0.6mm PITCH 80P MICRO STACK CONNECTOR
MATERIAL		WEIGHT	3.0g	SIZE CAGE CODE DRAWING NO A20779G-2305217
-		CUSTOMER DRAWING	SCALE 5:1	RESTRICTED TO SHEET 2 OF 2 REV B