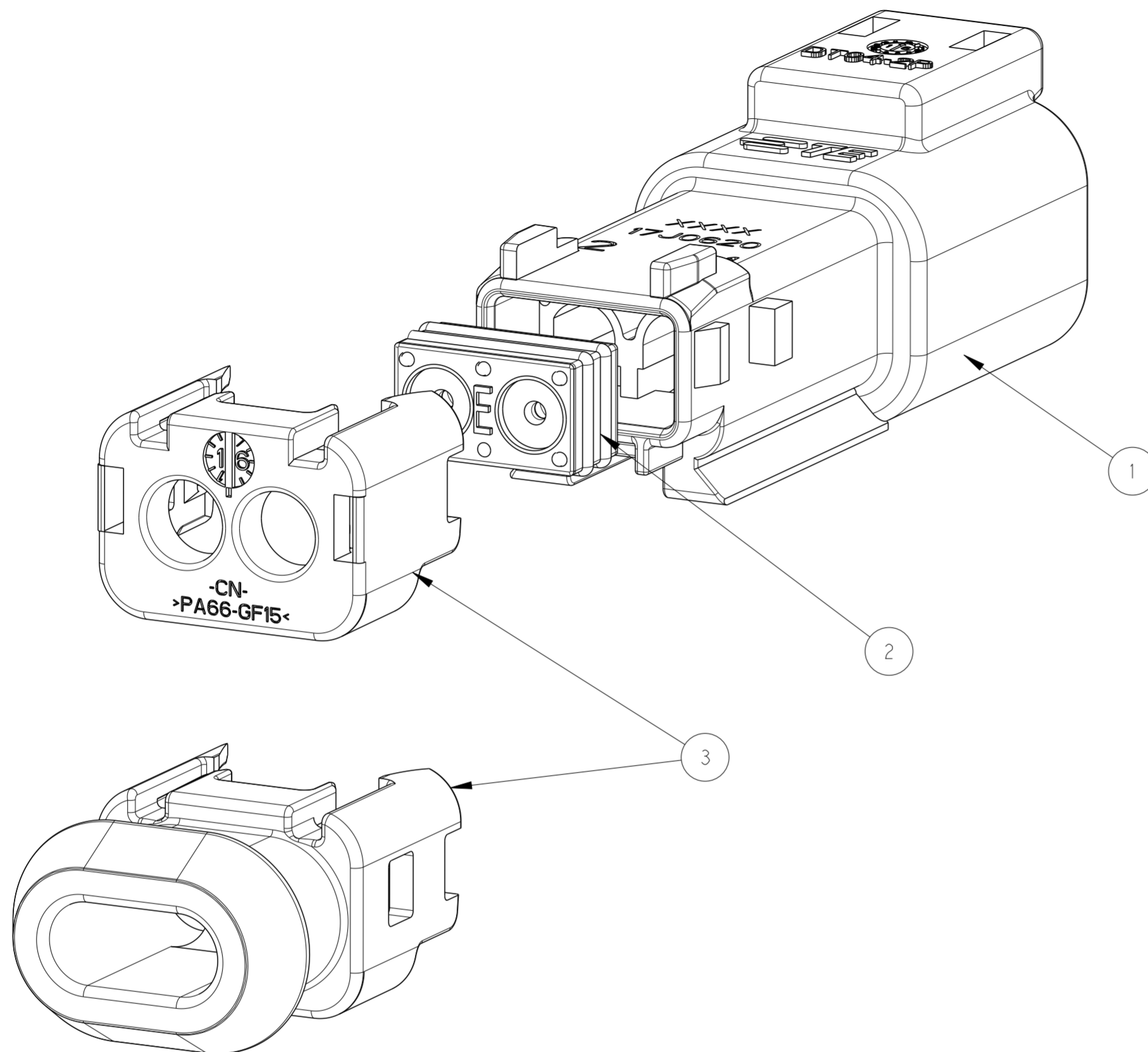


THIS DRAWING IS UNPUBLISHED. RELEASED FOR PUBLICATION 20
 © COPYRIGHT 20 BY - ALL RIGHTS RESERVED.

REVISIONS				
P	LTR	DESCRIPTION	DATE	APVD
A		INITIAL RELEASE	07AUG2017	C.W I.Y
B		REVISED PER PCN E-19-014633	15FEB2019	AK NS



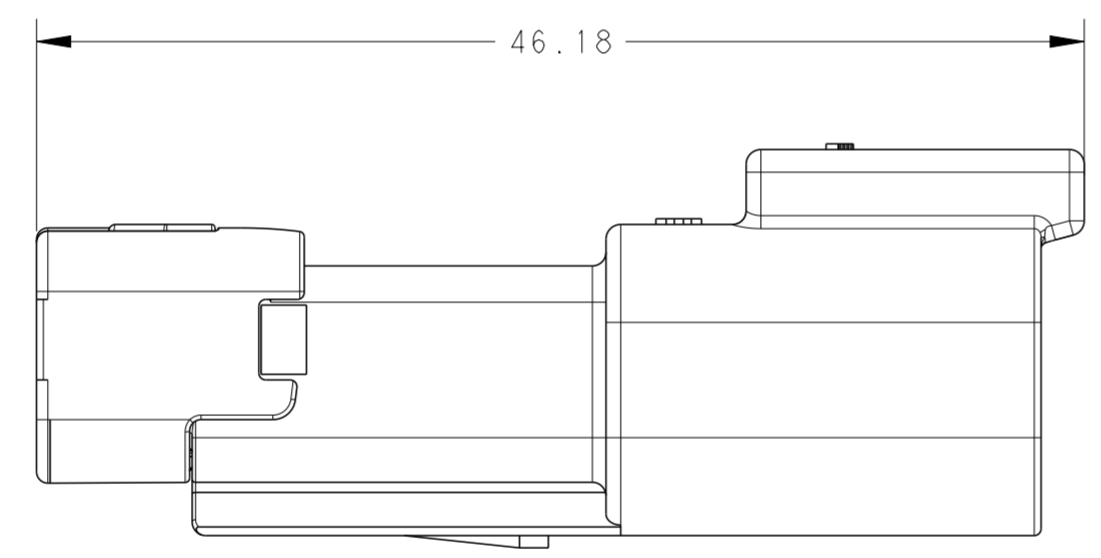
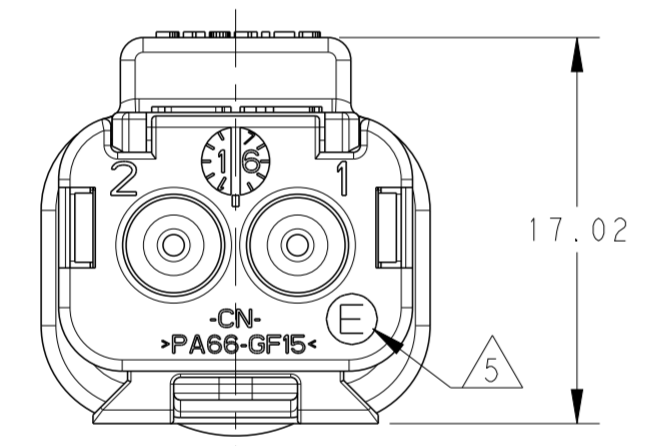
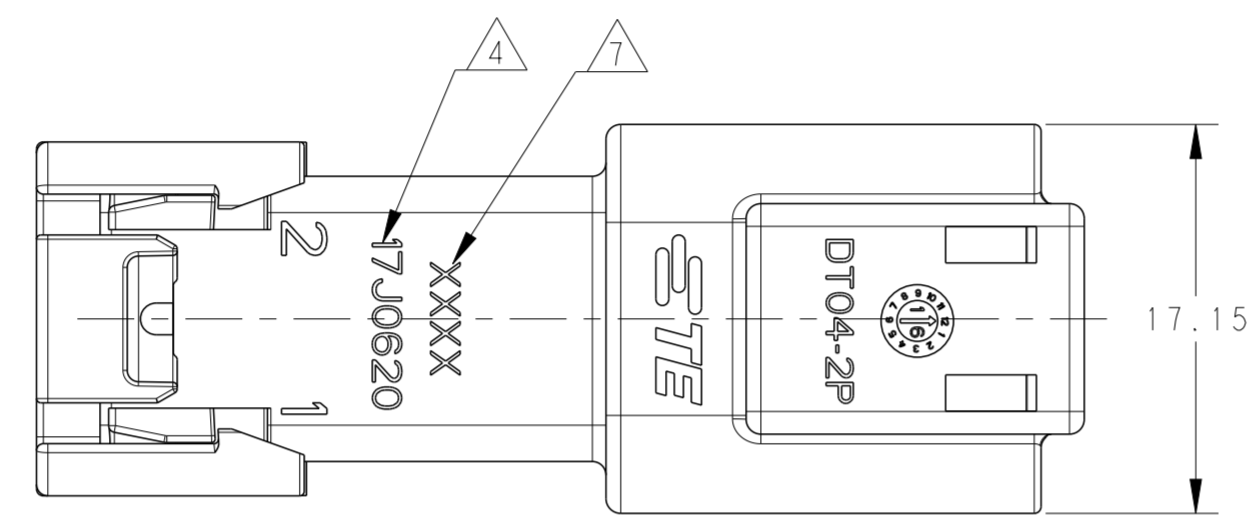
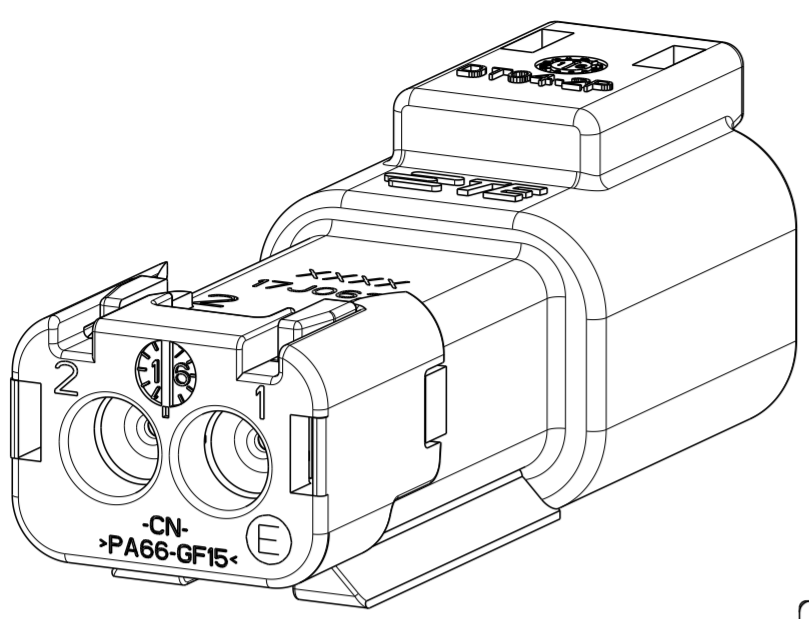
NOTES:

1. SECONDARY WEDGE LOCK SOLD SEPARATELY: W2PX-XXXX.
(X = A,B,C,D KEY, XXXX = ALL MODIFICATIONS)
2. THIS RECEPTACLE MATES WITH DT06-2S-XXXX PLUG.
(XXXX = ALL MODIFICATIONS)
3. MATERIAL: HOUSING: PA66 GF15, SEE TABLE FOR COLOR
GROMMET: VMQ SEE TABLE FOR COLOR
4. DATE CODE: IDENTIFIES THE YEAR, MONTH, DAY AND HOUR OF ASSEMBLY.
YEAR: FIRST AND SECOND DIGITS. (17 = 2017)
MONTH: THIRD DIGIT, EXCLUDING I. A = JAN, B = FEB,
C = MARCH ... (K = OCTOBER)
DAY: FOURTH AND FIFTH DIGITS (14 = 14th DAY)
HOUR: SIXTH AND SEVENTH DIGITS (11 = 11AM)
5. "E" IDENTIFIES E-SEAL.
6. FOR CONTACTS AND WIRE PERFORMANCE AND APPLICATION CHARACTERISTICS SEE CUSTOMER DRAWING 0425-015-0000.
7. XXXX IDENTIFIES THE MODIFICATION NUMBER, IF APPLICABLE. EXAMPLE: "TB31" FOR DT04-2P-TB31,

CONTACT SIZE	WIRE RANGE	SEALING RANGE	SEAL IDENTIFICATION
#16	14-20AWG (2.5-0.5mm ²)	.088-.145 [2.23-3.68]	STANDARD SEAL N-SEAL
		.053-.120 [1.35-3.05]	EXTRA THIN SEAL E-SEAL

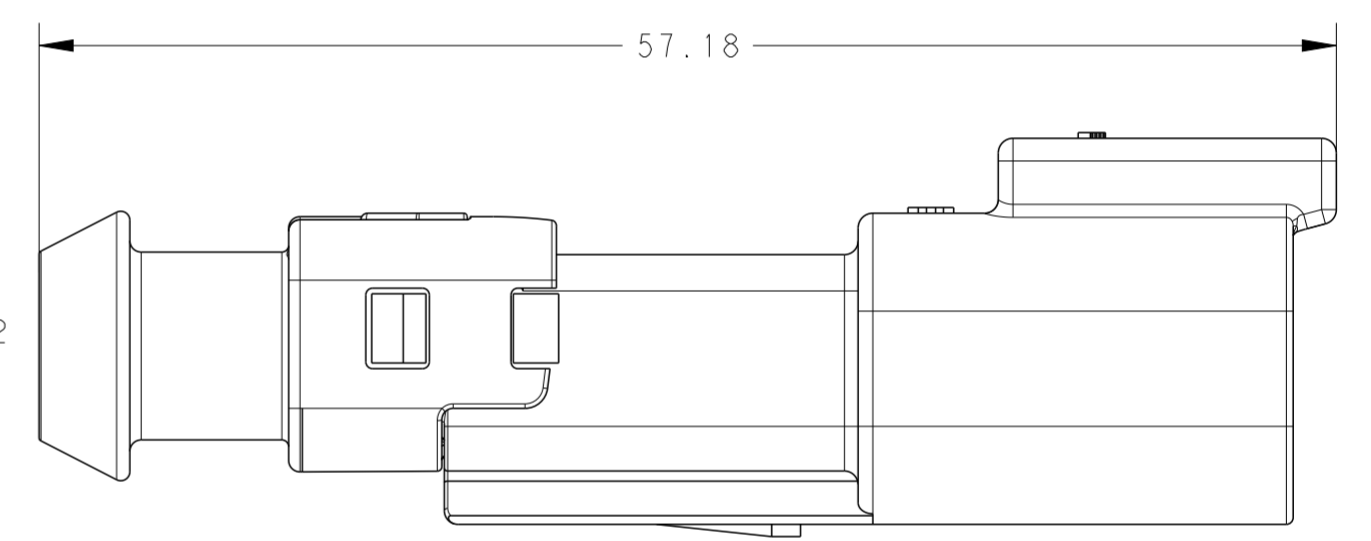
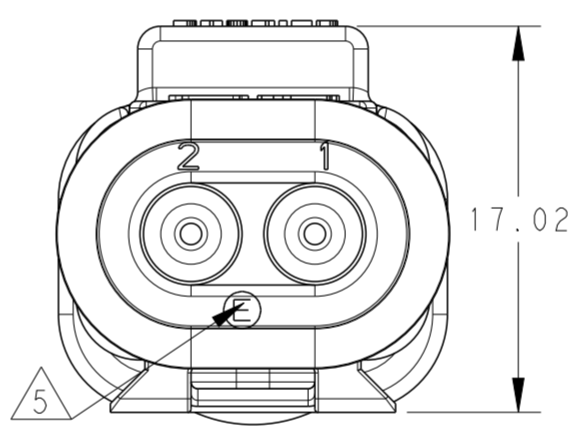
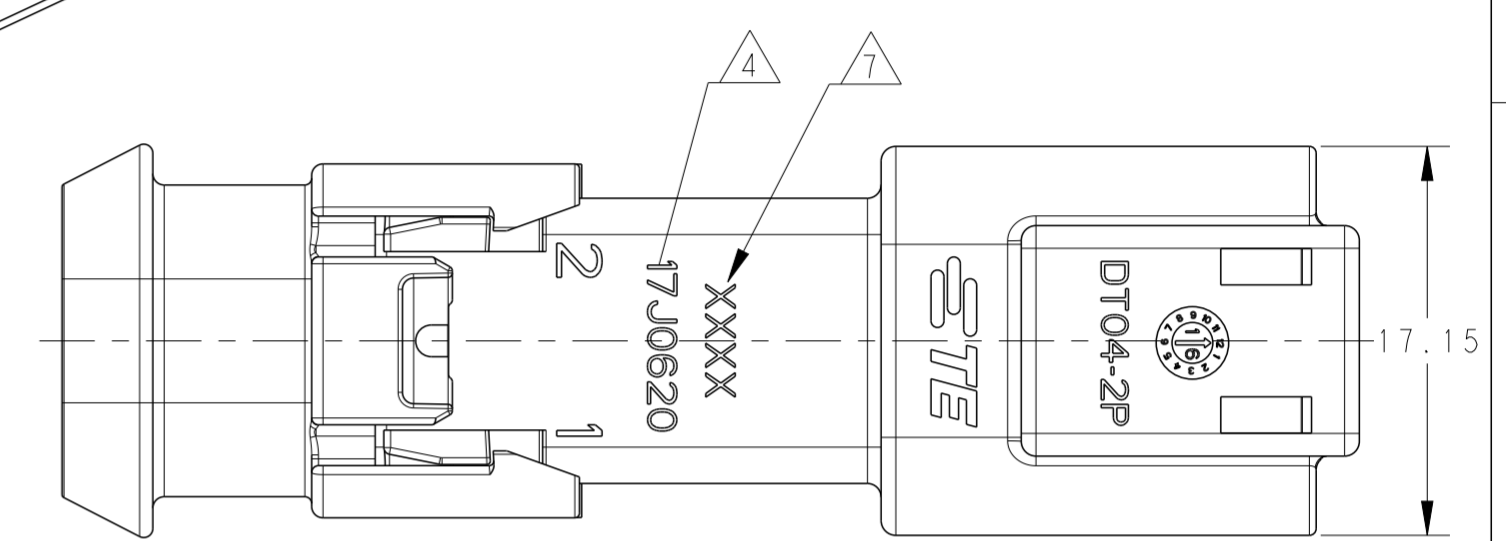
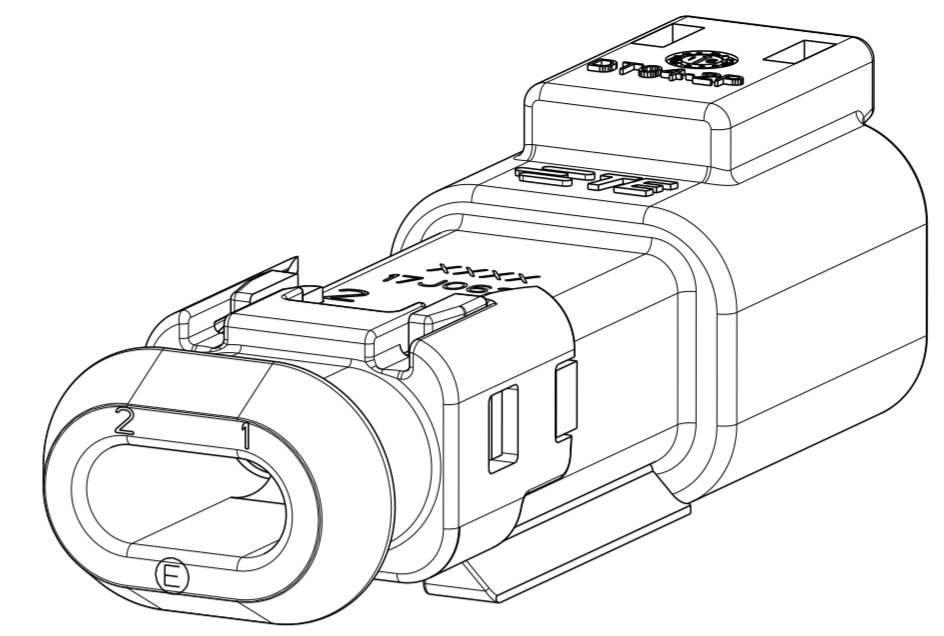
THIS DRAWING IS A CONTROLLED DOCUMENT.		DWN C. WAN	15OCT2017	STE TE Connectivity	
DIMENSIONS: mm		CHK E. JIANG	15OCT2017		
TOLERANCES UNLESS OTHERWISE SPECIFIED:		APVD I. YIN	15OCT2017	NAME	
0 PLC ±-		PRODUCT SPEC		DT SERIES, SNAP CAPS	
1 PLC ±-		108-151009		2 WAY RECEPTACLE, DT04-2P-TXXX	
2 PLC ±0.64		APPLICATION SPEC		SIZE	CAGE CODE
3 PLC ±0.64		114-151009		DRAWING NO	RESTRICTED TO
4 PLC ±-		WEIGHT		A200779	C-2303812
ANGLES ±-		SEE TABLES		SCALE 2:1 SHEET 1 OF 2 REV B	
FINISH		CUSTOMER DRAWING			

THIS DRAWING IS UNPUBLISHED. RELEASED FOR PUBLICATION 20
COPYRIGHT 20 BY - ALL RIGHTS RESERVED.



5				5				ITEM NO
1	1	1	1	COLOUR	MATERIAL	DESCRIPTION		
1	1		1	GREY	PA66-GF15	STD CAP	3	
				BLACK	PA66-GF15	STD CAP		
1			1	BURNT RED	VMQ	GROMMET,E-SEAL	2	
	1	1		ORANGE-RED	VMQ	GROMMET,N-SEAL		
		1	1	GREY	PA66-GF15	HOUSING	1	
1	1			BLACK	PA66-GF15	HOUSING		
				WEIGHT OF EACH ASSY NO. (g)				
				REVISION OF EACH ASSY NO.				
DT04-2P-TE32	DT04-2P-TN32	DT04-2P-TN31	DT04-2P-TE31	DEUTSCH PN				
1--4	1--3	1--2	1--1	TE PN				
DT04-2P-CE03	DT04-2P-E005	DT04-2P-E003-EP04	DT04-2P-CE01	COMPARABLE PART				

REVISIONS					
P	LTR	DESCRIPTION	DATE	DWN	APVD
-	-	SEE SHEET 1	-	-	-



5				5				ITEM NO
1	1	1	1	QTY. REQUEST PER ASSY	COLOR	MATERIAL	DESCRIPTION	
					GREY	PA66-GF15	LONG CAP	3
					BLACK	PA66-GF15	LONG CAP	
					BURNT RED	VMQ	GROMMET,E-SEAL	2
					ORANGE	VMQ	GROMMET,N-SEAL	
					GREY	PA66-GF15	HOUSING	1
					BLACK	PA66-GF15	HOUSING	
				WEIGHT OF EACH ASSY NO. (g)				
				REVISION OF EACH ASSY NO.				
DT04-2P-TE82	DT04-2P-TN82	DT04-2P-TN81	DT04-2P-TE81	DEUTSCH PN				
2--4	2--3	2--2	2--1	TE PN				
DT04-2P-CE09	DT04-2P-EE01	DT04-2P-E008	DT04-2P-CE04	COMPARABLE PART				

THIS DRAWING IS A CONTROLLED DOCUMENT.

DIMENSIONS: mm

TOLERANCES UNLESS OTHERWISE SPECIFIED:

0 PLC	±
1 PLC	±
2 PLC	±0.64
3 PLC	±0.64
4 PLC	±

ANGLES ±

FINISH -

MATERIAL 3

NAME: C. WAN, E. JIANG, I. YIN

DATE: 150CT2017

PRODUCT SPEC: 108-151009

APPLICATION SPEC: 114-151009

WEIGHT: SEE TABLES

CUSTOMER DRAWING

SCALE: 3:1

SHEET: 2 OF 2

REV: B

RESTRICTED TO

DT SERIES, SNAP CAPS
2 WAY RECEPTACLE, DT04-2P-TXXX

STE TE Connectivity