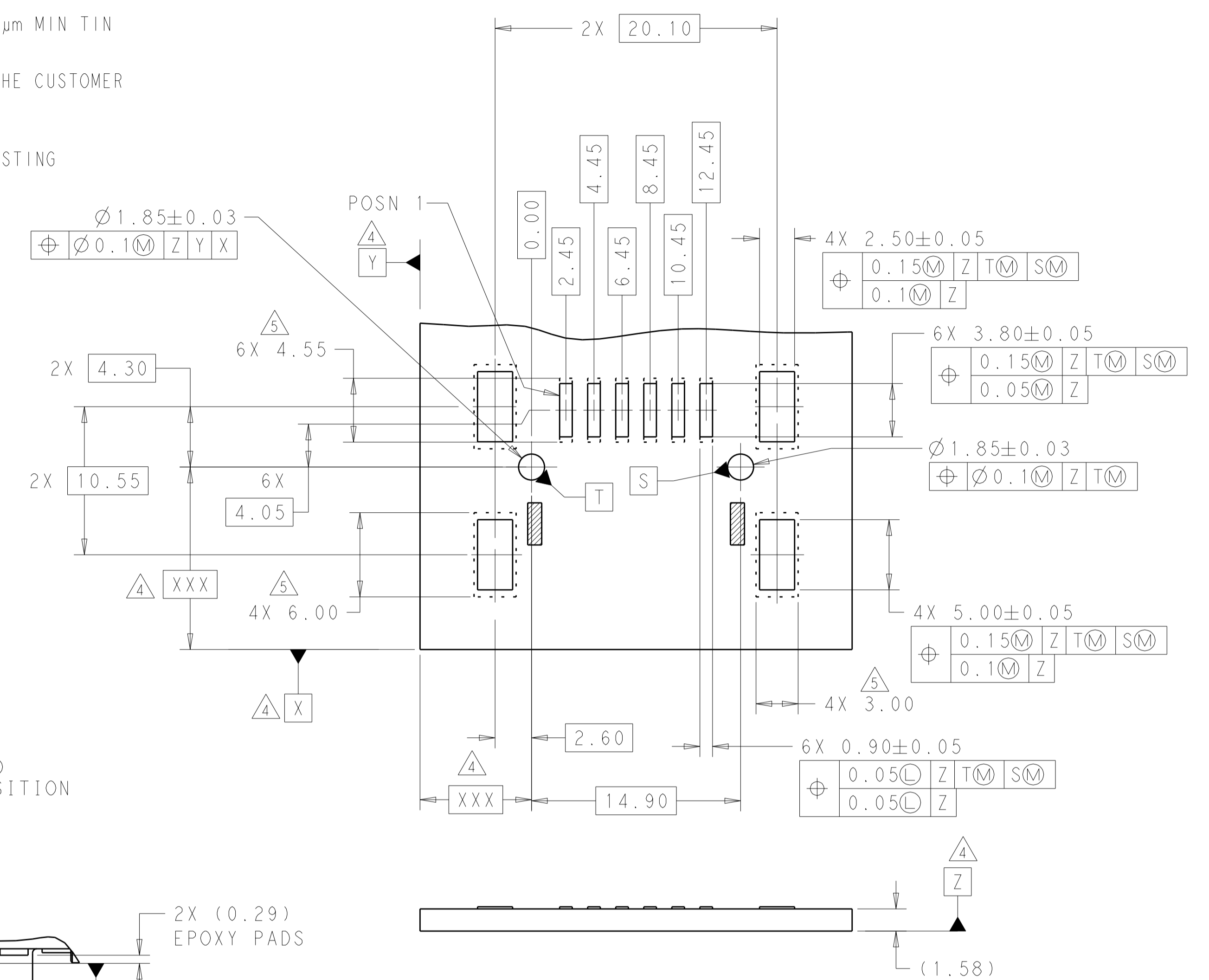
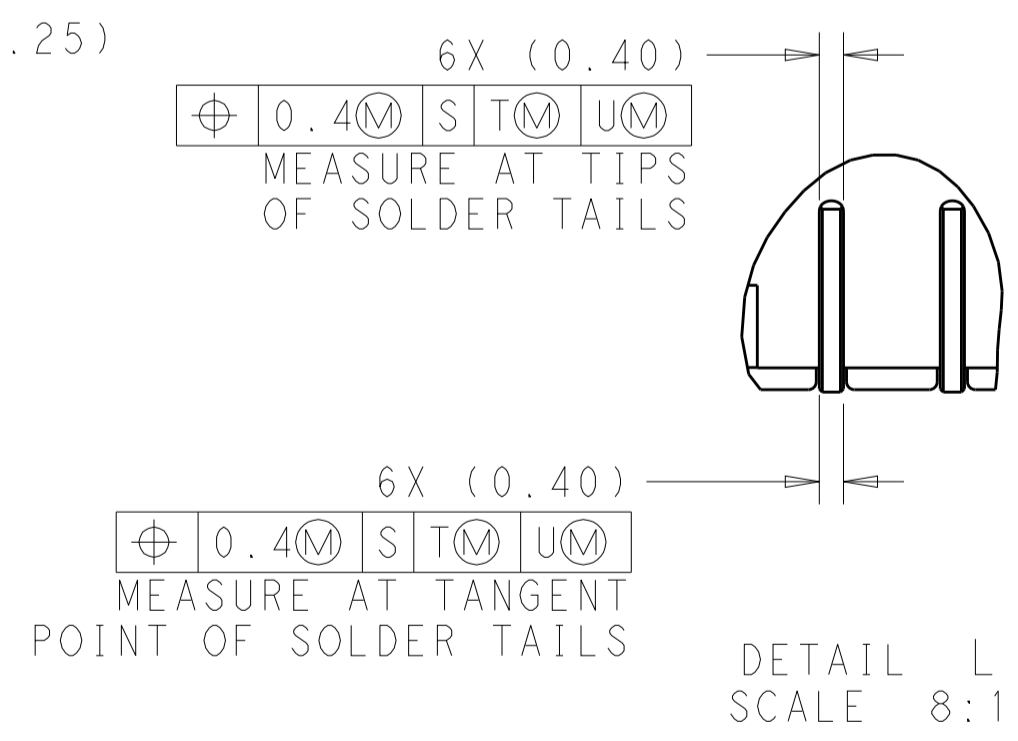
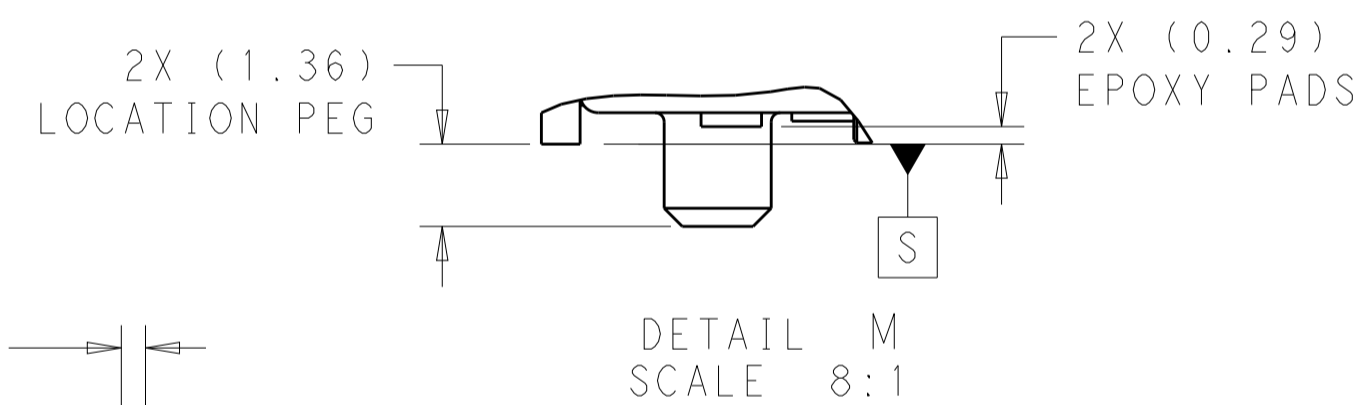
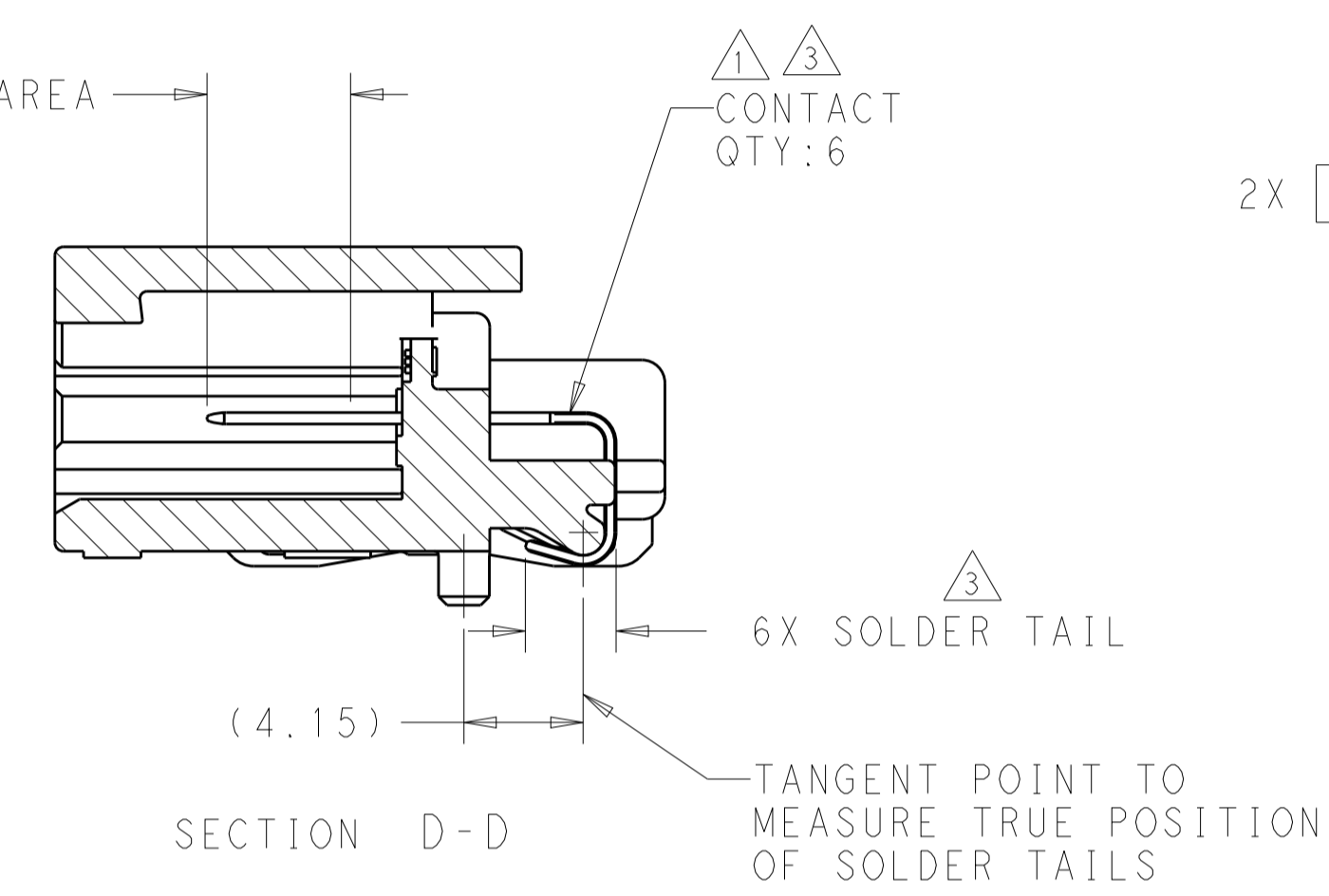
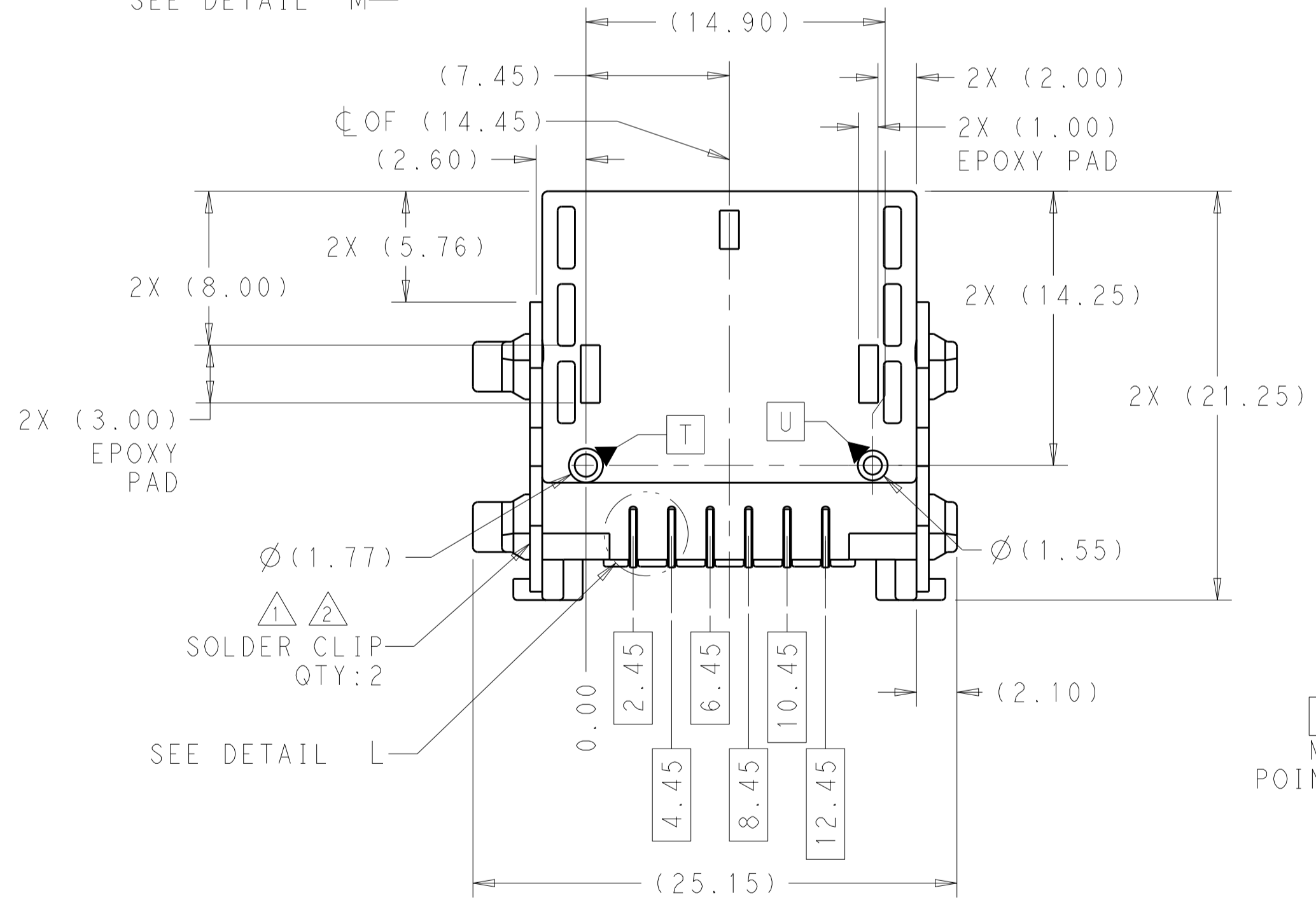
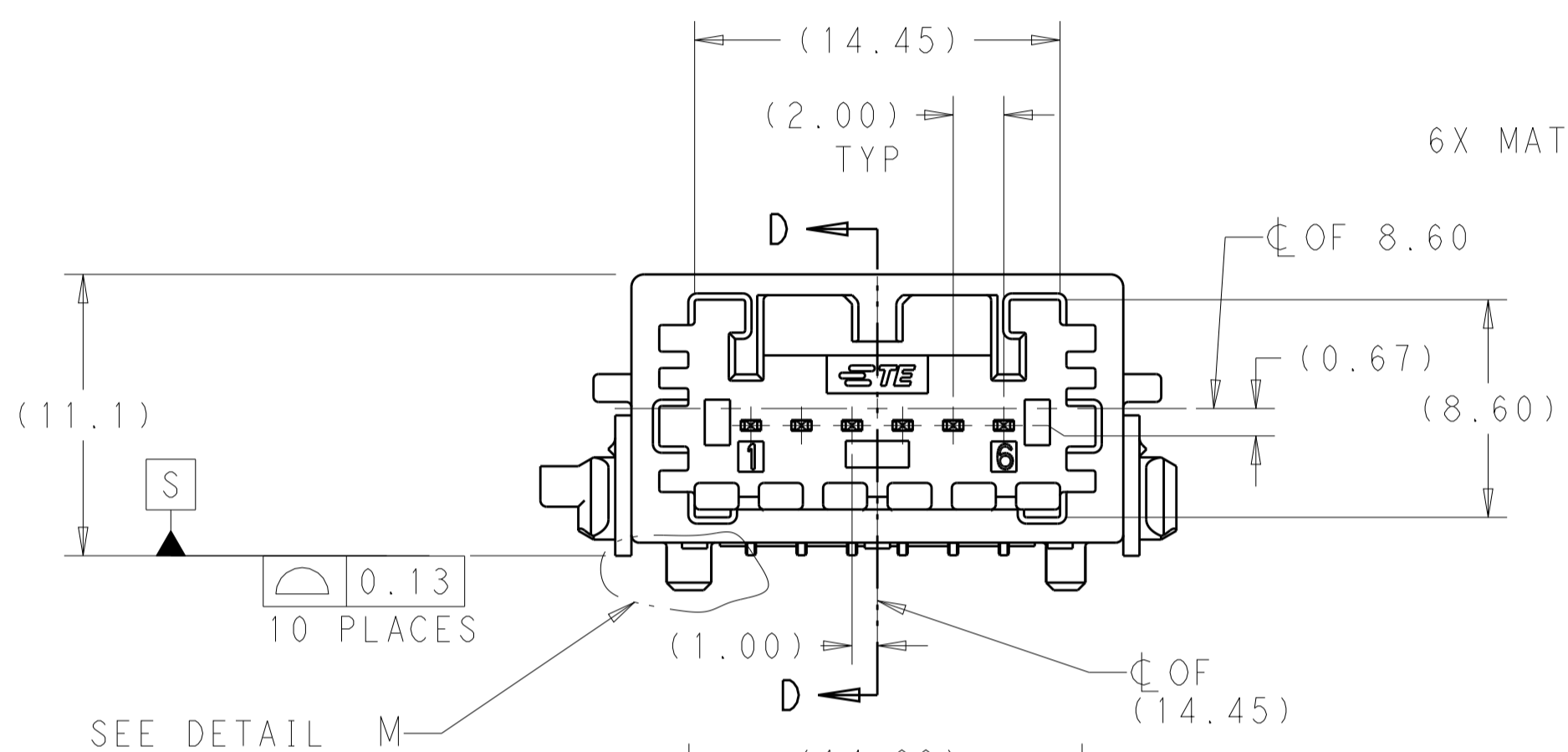
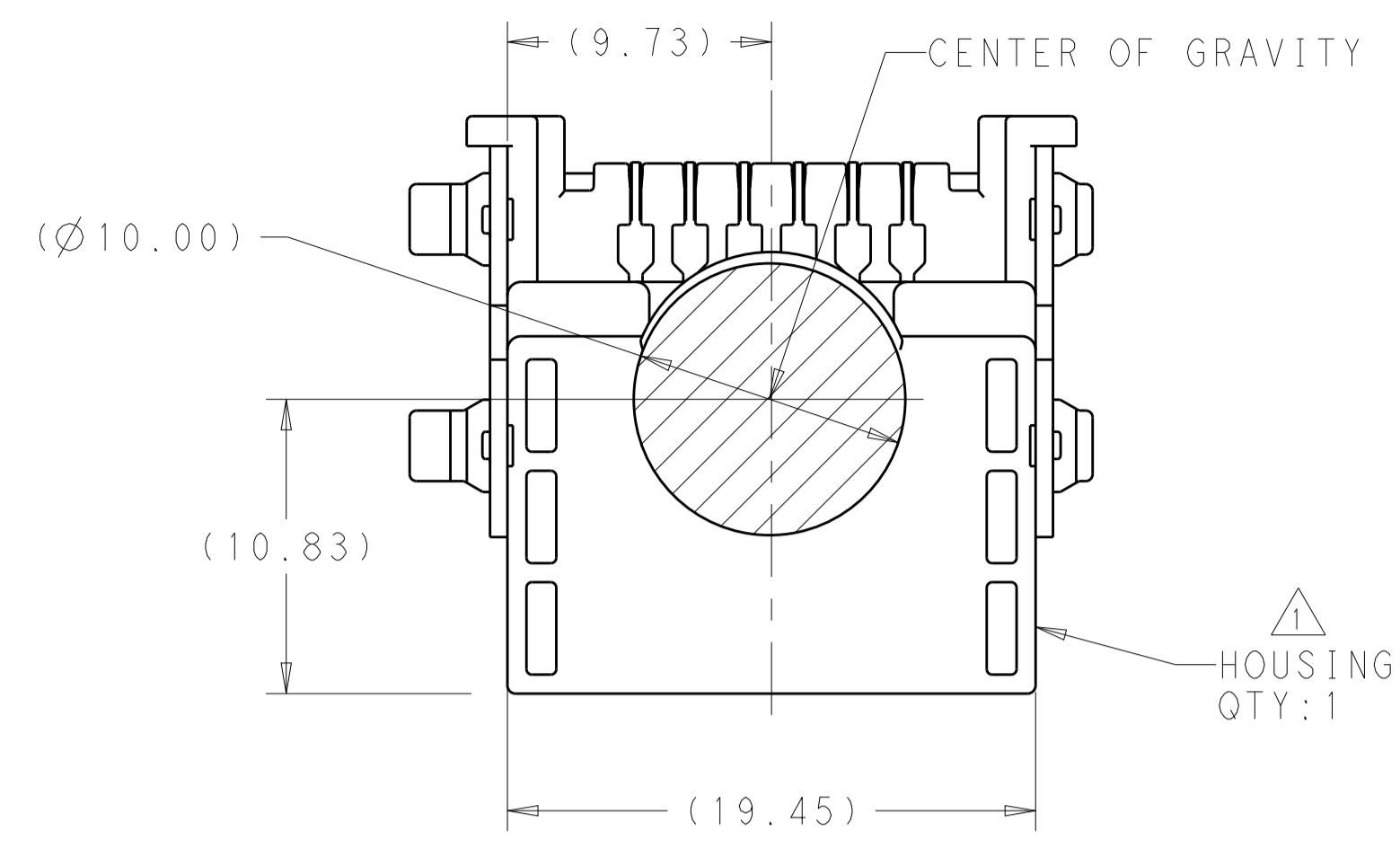


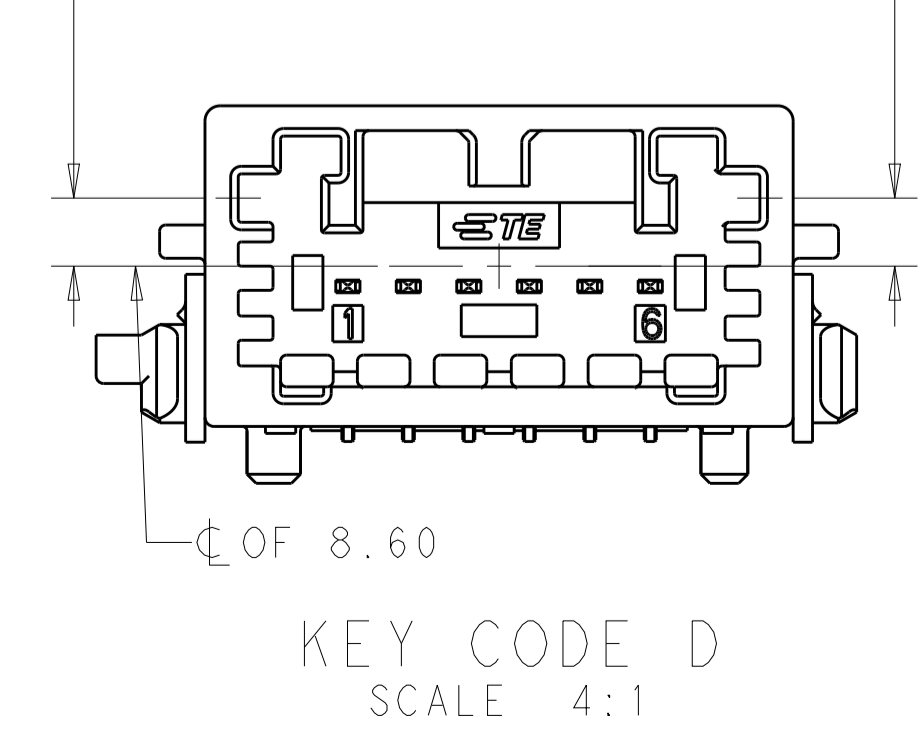
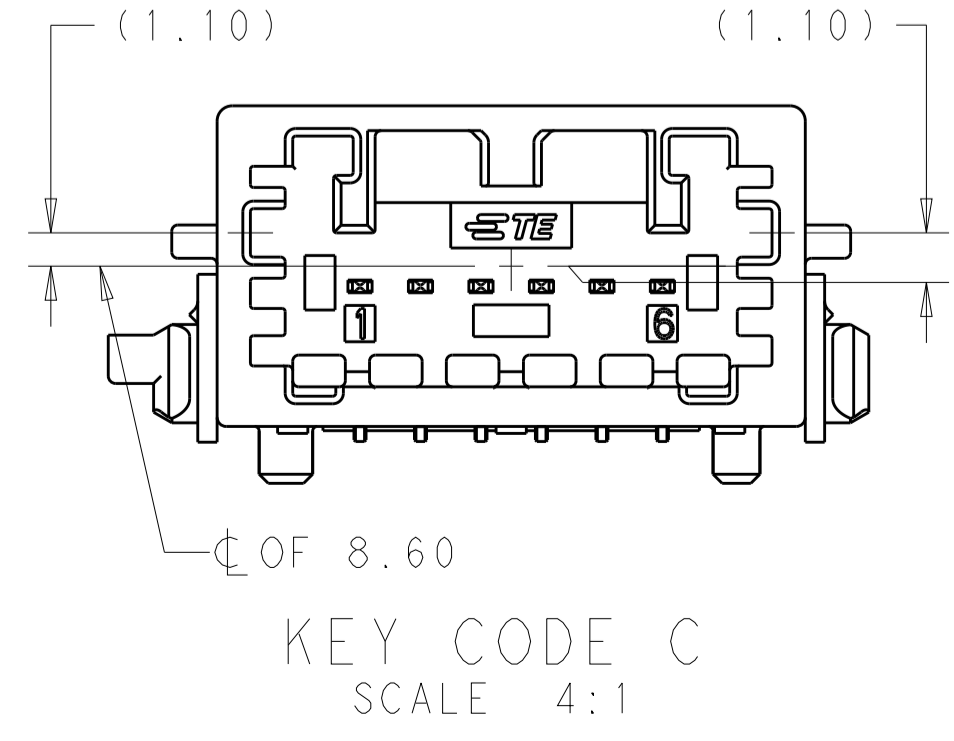
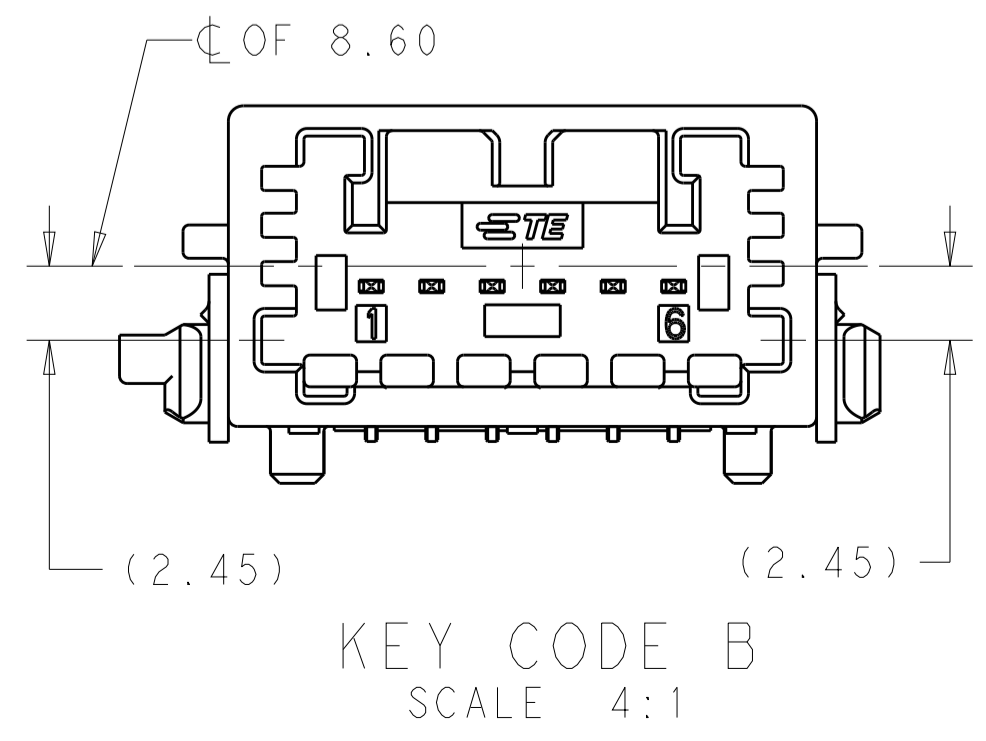
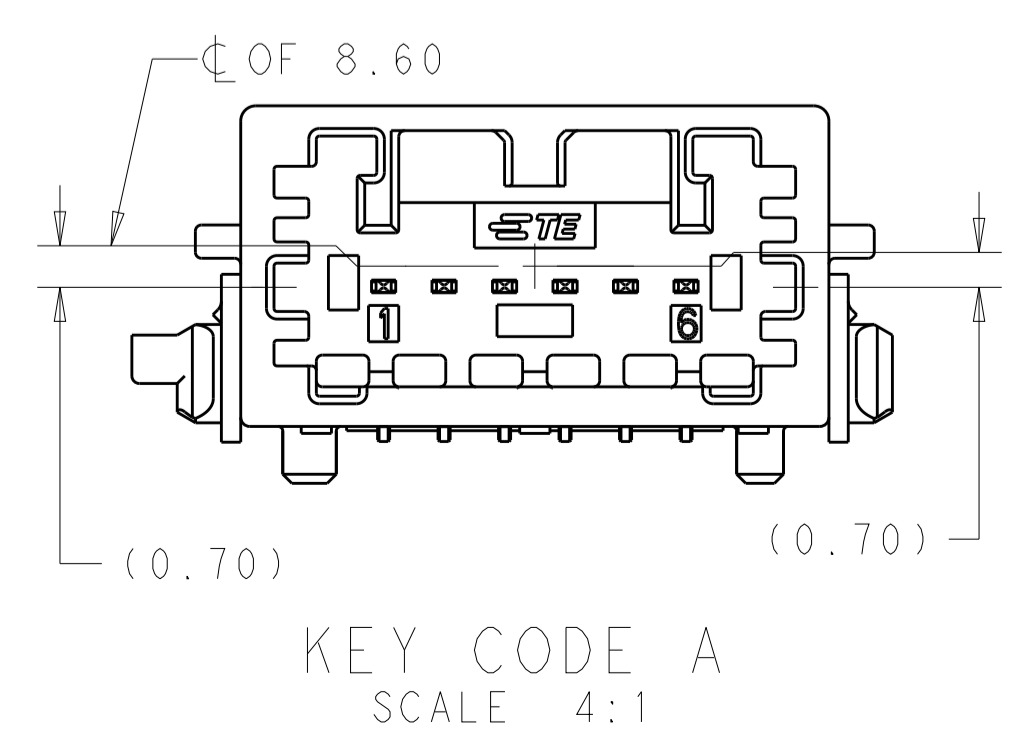
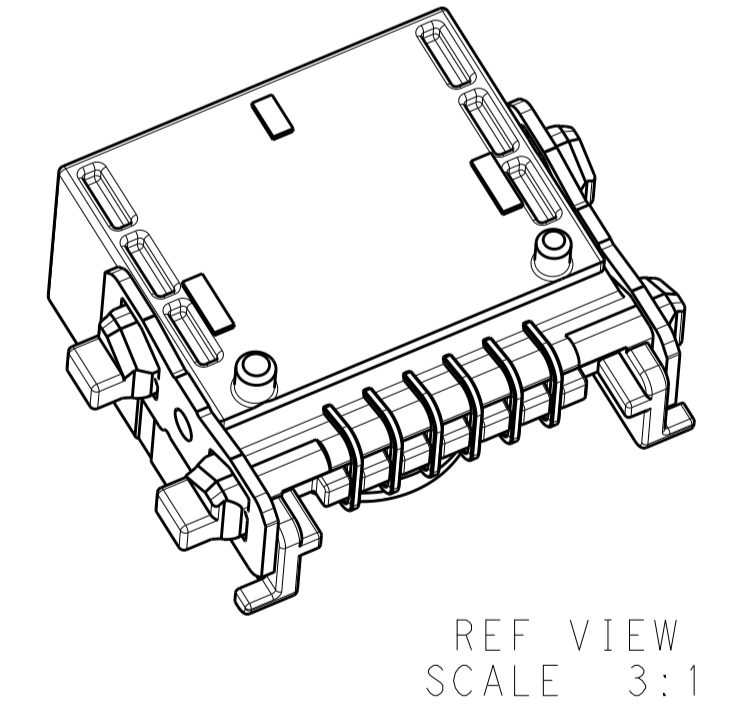
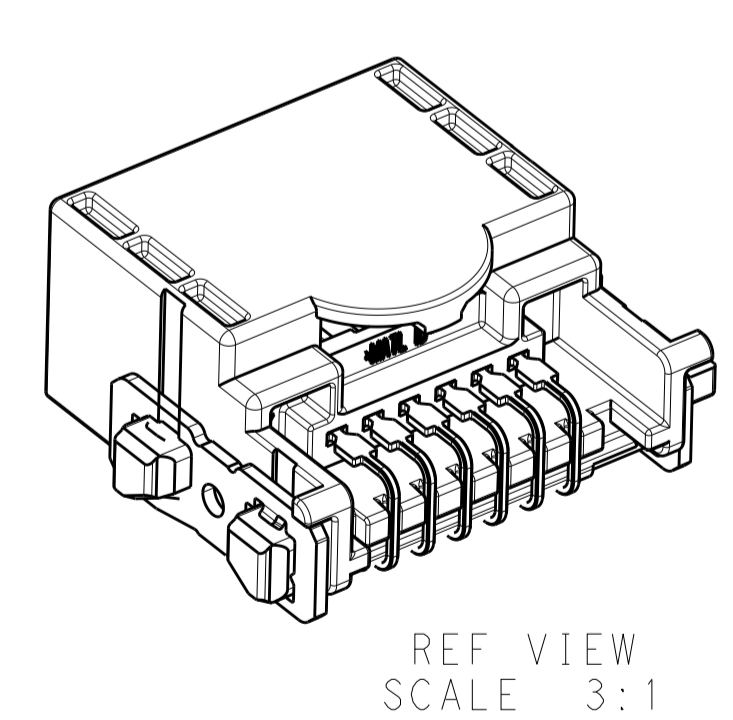
LOC		DIST		REVISIONS			
IN	00	P	LTN	DESCRIPTION	DATE	DWN	APVD
		1		PROPOSED	12MAY2015	HM	GM
		2		ADDED CENTER RIB	14FEB2018	DS	DS
		3		ADDED SIDE RIBS	3AUG2018	CJ	CJ

PRELIMINARY
 NOT RELEASED FOR PRODUCTION

- 1 HOUSING: PCT, COLOR - BLACK
- 2 CONTACTS: BRASS
- 3 SOLDER CLIP: BRASS
- 4 SOLDER CLIP: 3.8µm MIN TIN OVER 1.27µm MIN NICKEL
- 5 CONTACT: 0.8µm MIN TIN IN MATING AREA AND 2.5µm MIN TIN IN SOLDER TAIL ALL OVER 2.00µm MIN NICKEL
- 6 DATUMS AND BASIC DIMENSIONS ESTABLISHED BY THE CUSTOMER
- 7 ALLOW FOR OVER PRINTING ON PC BOARD
- 8 THIS PRODUCT HAS NOT COMPLETED VALIDATION TESTING
- 9 PRELIMINARY - NOT FOR PRODUCTION



RECOMMENDED PC BOARD LAYOUT
 CONNECTOR SIDE OF BOARD
 SCALE 4:1



KEY CODE D	2292894-4
KEY CODE C	2292894-3
KEY CODE B	2292894-2
KEY CODE A	2292894-1
KEY CODE	PART NUMBER

THIS DRAWING IS A CONTROLLED DOCUMENT.		DWN: H. MOLL 12MAY2015	NAME: HEADER ASSEMBLY, 1x6, 2.00 CENTERLINE, SMT, UNSEALED, US 050 LL
DIMENSIONS: mm		CHK: G. MARTIN 12MAY2015	
TOLERANCES UNLESS OTHERWISE SPECIFIED:		APVD: G. MARTIN 12MAY2015	PRODUCT SPEC
0 PLC ±		APPLICATION SPEC	
1 PLC ±0.10		SIZE: CAGE CODE DRAWING NO	
2 PLC ±		RESTRICTED TO	
3 PLC ±		WEIGHT: 3.2 g	
4 PLC ±		A100779C=2292894	
ANGLES ±		CUSTOMER DRAWING	
FINISH: 1, 2, 3		SCALE: 4:1 SHEET 1 OF 1 REV 3	