



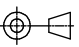


# CODE 75 - HEAT SHRINK BOOT BACKSHELL

**228M722-19C-D**

SERIES \_\_\_\_\_  
 SHELL SIZE (TABLE 1) \_\_\_\_\_  
 MATERIAL \_\_\_\_\_  
 REFER TO CH00-0250-004  
 FINISH \_\_\_\_\_  
 REFER TO CH00-0250-004  
 MODIFICATION CODE \_\_\_\_\_  
 SEE CH00-0250-004 FOR OPTIONS

## NOTES:

1. THIS PRODUCT IS DESIGNED TO TERMINATE A HEAT SHRINKABLE LIPPED BOOT TO A CONNECTOR.
  2. FOR ADDITIONAL DIMENSIONS, ORDERING INFORMATION AND MODIFICATION, SEE CH00-0250-004.
  3. BACKSHELL TO BE PERMANENTLY MARKED/BAGGED AND LABELLED WITH CODE IDENTIFICATION NUMBER AND PART NUMBER. (e.g. 06090-228M712-19B).
  4. KNURL INSIDE BOOT GROOVE MAY BE SUPPLIED AT MANUFACTURER'S OPTION.
- ⑤ BACKSHELL MATES TO BS9522 F0032 (PATT 121) CONNECTORS; SB-MS SERIES MANUFACTURED BY AB CONNECTORS LTD. SEALING IS ONLY ACHIEVED WHEN USING GROMMETS SB-\*\*-\*\*-G, SUPPLIED BY AB CONNECTORS.

<b>DRAWN</b>	K.WINCZURA	DATE	01/05/2015	 3RD ANGLE PROJECTION NOT TO SCALE  <small>UNLESS OTHERWISE SPECIFIED ALL DIMENSIONS IN MILLIMETRES</small> <b>GENERAL TOL</b> LINEAR +/-0.25MM ANGULAR +/- 1°	<b>TITLE:</b>	 <b>HEAT SHRINK BOOT BACKSHELL</b>		
<b>CHECKED</b>		01/05/2015						
<b>APPROVED</b>	K.SHEPPARD	11/05/2015						
<b>APPROVED</b>	D.JONES	14/06/2016						
<b>REVISIONS</b>					<b>ASSY USED ON:</b>	 <b>BS9522 F0032 (PATT 121) SB-MS SERIES CONNECTORS</b>		
<b>LTR</b>	<b>DESCRIPTION</b>	<b>DATE</b>	<b>APPROVED</b>					
<b>B</b>	REVISED PER ECN AD93032							
<b>C</b>	REVISED PER ECO-16-008955	14/06/2016	D.JONES					
TE CAGE CODE: 06090 POLAMCO/TE CAGE CODE: U5792					<small>TE CONNECTIVITY - POLAMCO LTD RESERVES THE RIGHT TO AMEND THIS DRAWING AND THE INFORMATION SET FORTH HEREON AT ANY TIME. USERS SHOULD INDEPENDENTLY EVALUATE THE SUITABILITY OF THE PRODUCT FOR THEIR APPLICATION.</small>			
					<b>DRAWING NO:</b>	<b>DRAWING REV:</b>	<b>SHT</b>	
					<b>228M7XX</b>	<b>C</b>	<b>1</b>	

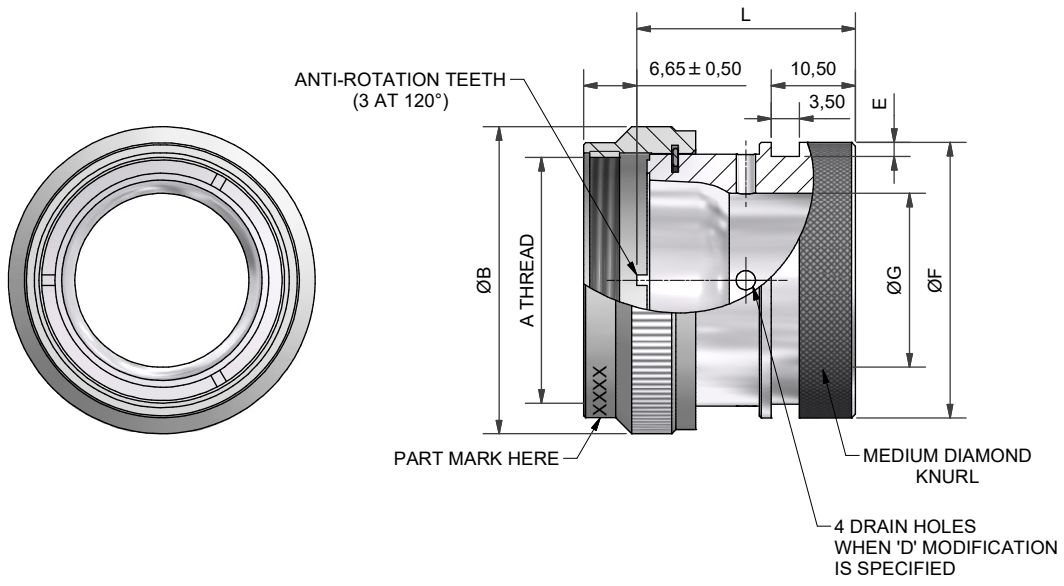


TABLE 1

BASE PART NUMBER	SHELL SIZE (5)	A THREAD	ØB MAX	E +0,20/-0,00	ØG MIN	ØF MAX	L
228M712	10SL	5/8-24UNEF	21,7	1,12	7,50	15,60	24,30
228M714	14S	3/4-20UNEF	24,8	1,12	10,20	19,70	24,30
228M716	16	7/8-20UNEF	28,8	1,12	12,90	21,30	24,30
228M718	18	1-20UNEF	32,0	1,12	15,00	24,50	27,30
228M720	20	1 1/8-18UNEF	35,0	1,75	17,90	30,90	27,30
228M722	22	1 1/4-18UNEF	38,3	1,75	21,50	34,40	27,30
228M724	24	1 3/8-18UNEF	41,5	1,75	25,00	36,70	27,30
228M728	28	1 5/8-18UNEF	48,0	2,20	30,20	43,40	27,30
228M732	32	1 7/8-16UN	54,5	2,20	36,30	48,80	27,30
228M736	36	2 1/16-16UNS	62,3	2,20	40,74	55,09	27,30

<b>DRAWN</b>	K.WINCZURA	DATE	01/05/2015	 3RD ANGLE PROJECTION NOT TO SCALE  UNLESS OTHERWISE SPECIFIED ALL DIMENSIONS IN MILLIMETRES <b>GENERAL TOL</b> LINEAR +/-0,25MM ANGULAR +/- 1°
<b>CHECKED</b>		DATE	01/05/2015	
<b>APPROVED</b>	K.SHEPPARD	DATE	11/05/2015	
<b>APPROVED</b>	D.JONES	DATE	14/06/2016	

**TITLE:**  
HEAT SHRINK BOOT BACKSHELL

**ASSY USED ON:**  
BS9522 F0032 (PATT 121) SB-MS SERIES CONNECTORS



REVISIONS			
LTR	DESCRIPTION	DATE	APPROVED
B	REVISED PER ECN AD93032		
C	REVISED PER ECO-16-008955	14/06/2016	D.JONES

TE CAGE CODE: 06090  
POLAMCO/TE CAGE CODE: U5792