

THIS DRAWING IS UNPUBLISHED.

RELEASED FOR PUBLICATION

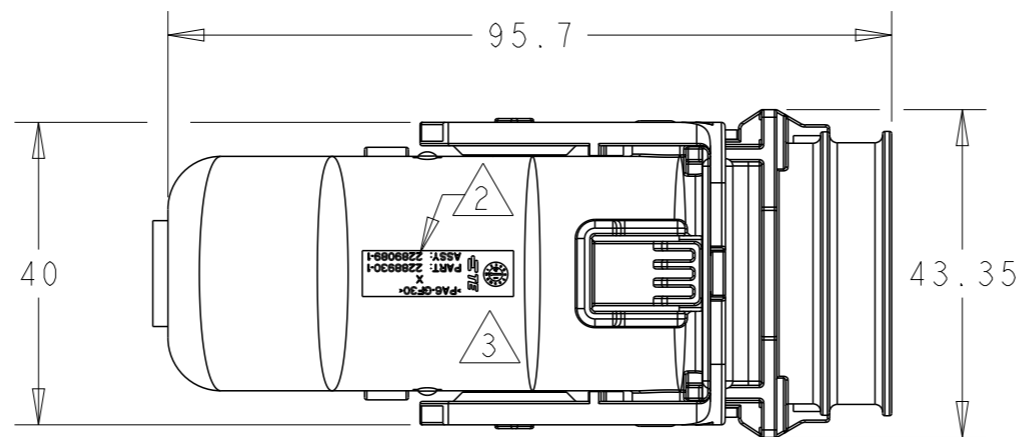
2015

© COPYRIGHT 2015 BY -TE Connectivity

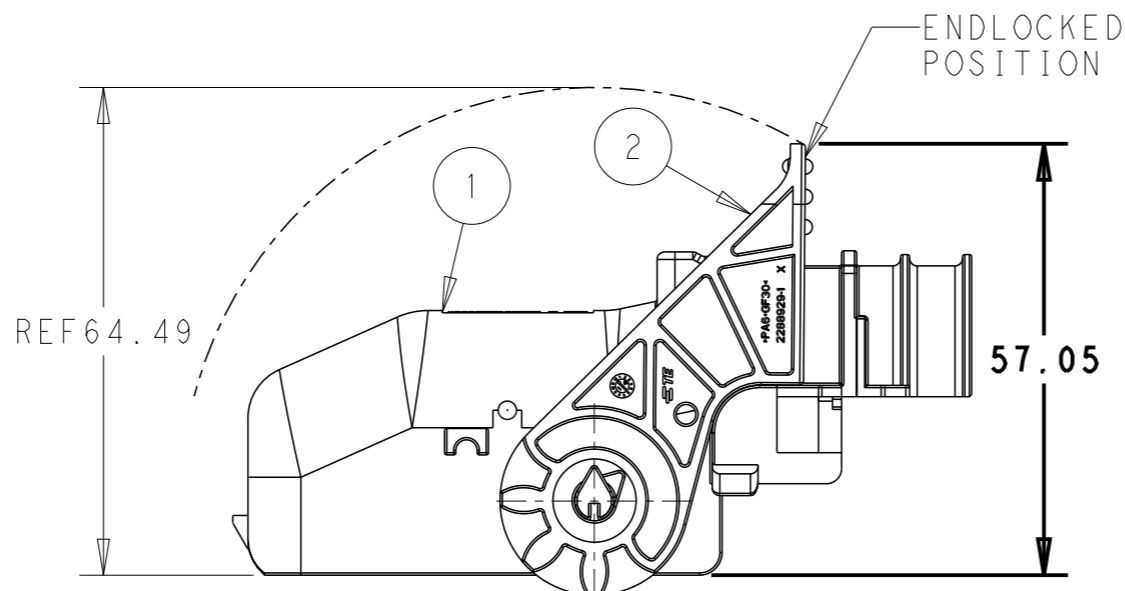
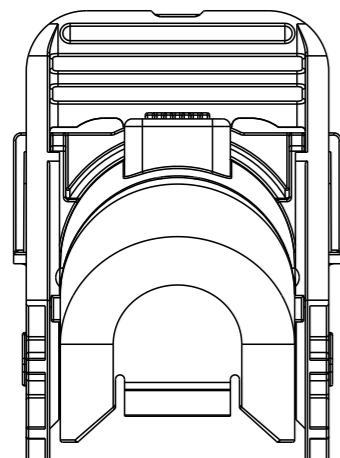
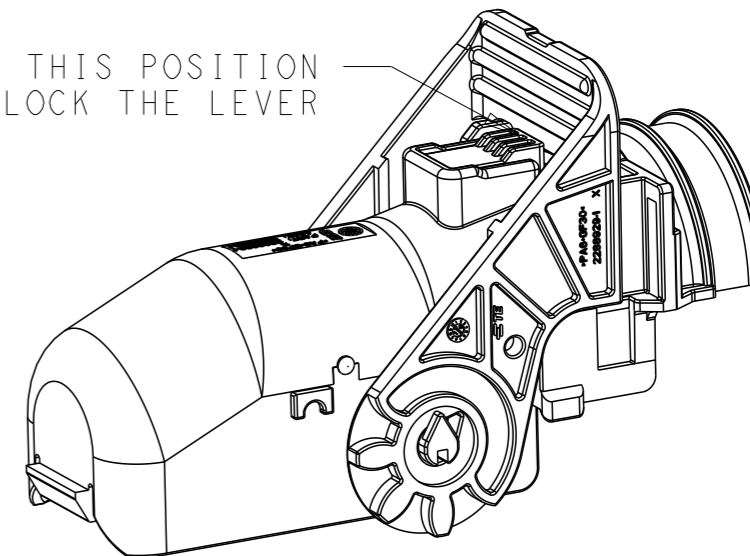
ALL RIGHTS RESERVED.

REVISIONS

P	LTR	DESCRIPTION	DATE	DWN	APVD
A		RELEASED.	06MAY2015	R.P	S.W
B		ECN-22-158611	13JUN2022	S.Y	Z.Z



PRESS THIS POSITION TO UNLOCK THE LEVER



NOTES:

1 ASSEMBLY DELIVERED WITH LEVER IN ENDLOCKED POSITION.

2 TE PART AND ASSEMBLY PART NO.

3 MATERIAL IDENTIFICATION.



MATED WITH		1452931, 1452995 2137768					
QTY REQD PER ASSY		PART NO	DESCRIPTION	MATERIAL	COLOUR	ITEM NO	
1	1	2288929-1	76POS, LEVER	PA6-GF30	BLACK	2	
1	-	2288930-2	76POS, COVER	PA6-GF30	YELLOW(RAL 1018)	1	
-	1	2288930-1	76POS, COVER	PA6-GF30	BLACK	1	
29.22	29.22	WEIGHT OF EACH ASSEMBLY NO (g)					
2289089-2	2289089-1	ASSEMBLY PART NUMBER					

THIS DRAWING IS A CONTROLLED DOCUMENT.

DIMENSIONS:	TOLERANCES UNLESS OTHERWISE SPECIFIED:
mm	
	0 PLC ±0.5
	1 PLC ±0.5
	2 PLC ±0.5
	3 PLC ±
	4 PLC ±
	ANGLES ±1°
MATERIAL	FINISH
-	-
-	-

DWN	R. PAN	06MAY2015
CHK	A. DANG	07MAY2015
APVD	S. WANG	07MAY2015
PRODUCT SPEC	-	
APPLICATION SPEC	-	
WEIGHT	29.22g	
Customer Drawing		



NAME 76 POS, COVER AND LEVER ASSEMBLY

SIZE	CAGE CODE	DRAWING NO	RESTRICTED TO
A3	-	C-2289089	-
SCALE	1:1	SHEET 1 OF 1	REV B