

THIS DRAWING IS UNPUBLISHED.

RELEASED FOR PUBLICATION

20

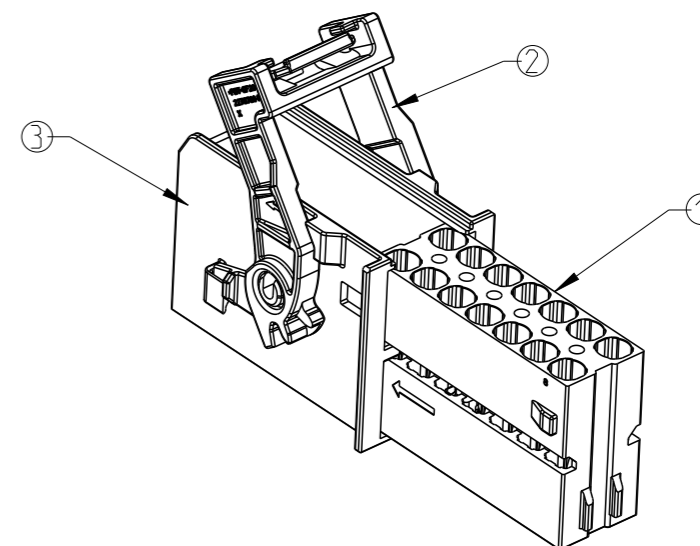
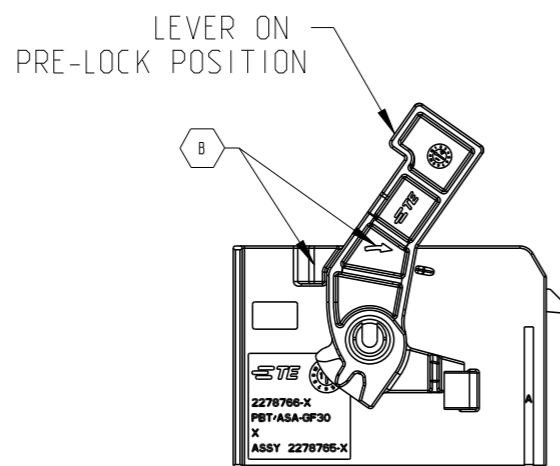
© COPYRIGHT 20 BY -

ALL RIGHTS RESERVED.

P/N 2278767-1 AS SHOWN

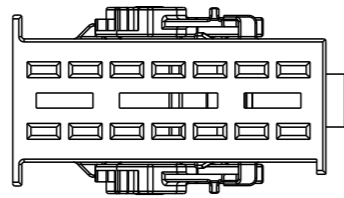
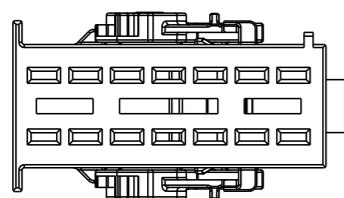
REVISIONS

P	LTR	DESCRIPTION	DATE	DWN	APVD
A		ASSEMBLY DRAWING	29DEC2014	R.T	SY.W
B		ECR-16-007965	02JUN2016	R.T	SY.W



NOTES:

- LEVER MUST BE ASSEMBLED ON PRE-LOCK POSITION FOR DELIVERY.
- ITEM ② AND ③ BE ASSEMBLED TOGETHER, ASSEMBLED PART AND ITEM ① ARE SUPPLIED IN KIT WITH EQUIVALENT QUANTITY IN A BOX
- TOLERANCE UNLESS OTHERWISE SPECIFIED ACC TO DIN 16901-120
- APPLICABLE MCP2.8 REC CONTACT SEE TABLE:
- APPLICABLE INTERFACE REFER TO 114-101038.



PART NUMBER: 2278767-1  
CODE A

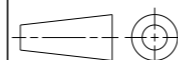
PART NUMBER: 2278767-2  
CODE B

TE ASSM PN	TE COMPONENT P/N	DESCRIPTION	MATERIAL	COLOR	QTY.	ITEM
2278765-2	2278767-2	2278766-2 COVER.CODE B	PBT/ASA-GF30	NATURAL	1	③
		2278768-1 LEVER	PBT-GF20	BLACK	1	②
2278765-1		2209893-1 14W SOCKET	PBT-GF10	BLACK	1	①
	2278767-1	2278766-1 COVER.CODE A	PBT/ASA-GF30	BLACK	1	③
			2278768-1 LEVER	PBT-GF20	BLACK	1
		2209893-1 14W SOCKET	PBT-GF10	BLACK	1	①

WIRE SIZE(MM2)	CONTACT PN	SURFACE
2.5~4.0	1-986653-3	SILVER PLATED
	1-968853-1	TIN PLATED
1.0~2.5	1-968851-3	SILVER PLATED
	1-968851-2	GOLD PLATED
0.5~1.0	1-968851-1	TIN PLATED
	1-968849-3	SILVER PLATED
	1-968849-2	GOLD PLATED
0.2~0.5	1-968849-1	TIN PLATED
	1-968880-3	SILVER PLATED
	1-968880-1	TIN PLATED

THIS DRAWING IS A CONTROLLED DOCUMENT.

DIMENSIONS:  
mm



TOLERANCES UNLESS OTHERWISE SPECIFIED:

0 PLC	±0.3
1 PLC	±0.3
2 PLC	±0.2
3 PLC	±0.1
4 PLC	±0.1
ANGLES	±

MATERIAL  
-  
BOM CHART

DWN R.TANG 29DEC2014

CHK A.DANG 29DEC2014

APVD SY.WANG 29DEC2014

PRODUCT SPEC

108-101368

APPLICATION SPEC

WEIGHT -

Customer Drawing



NAME  
14P MCP 2.8 PLUG ASSEMBLY

SIZE	CAGE CODE	DRAWING NO	RESTRICTED TO
------	-----------	------------	---------------

A3	-	©-2278765	-
----	---	-----------	---

SCALE 1:1	SHEET 1 OF 1	REV B
-----------	--------------	-------