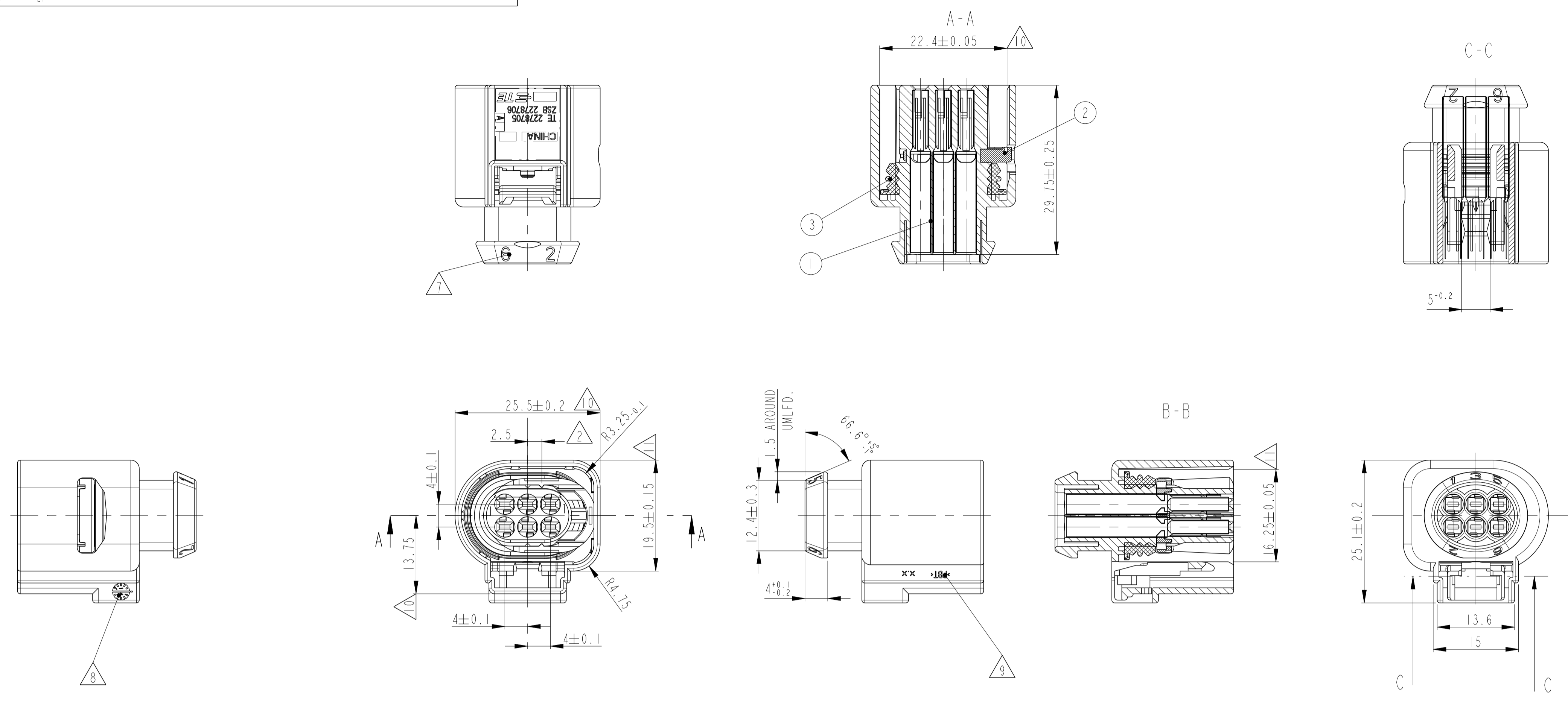
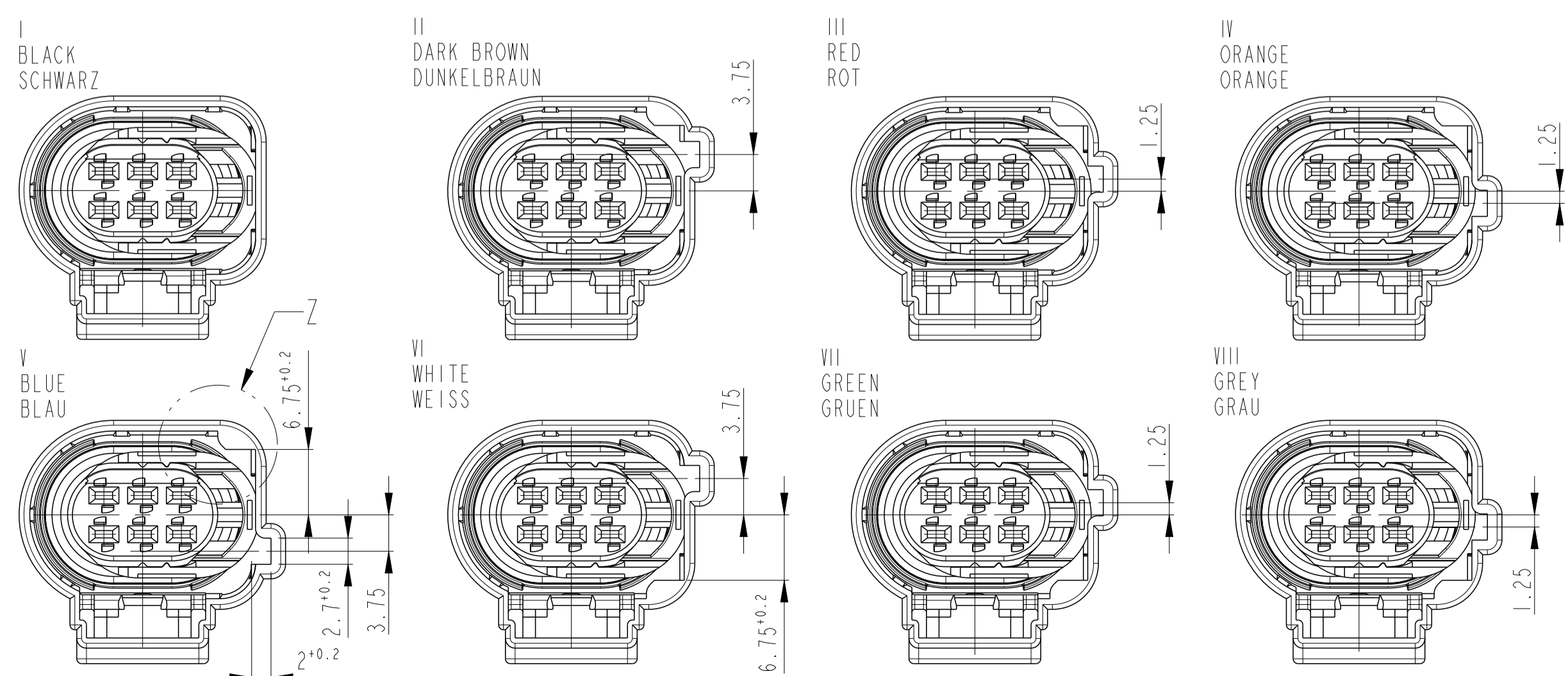


LOC		DIST		REVISIONS			
P	LTN	DESCRIPTION	DATE	OWN	APVD		
A5		ECR-22-159770	29NOV 22	S.X	J.Z		
A7		ECR-22-161631	19DEC 22	S.X	J.Z		
A8		ECR-23-172018	13APR 23	S.X	J.Z		
A9		ECN-24-270751	18JUN24	GSK	J.Z		

- NOTES
- 1 THE PART 2278706-1 ASSEMBLED F.E. WITH CONTACT 1241380-1, AND WIRE SEALING 964972-1
 - 2 CONDITION AS SUPPLIED: RETAINER IN PRE-LOCKED POSITION, AFTER CONTACT LOADING TO DRIFT IN THIS DIRECTION (2.5mm)
 - 3 BULK PACKAGED
 - 4 WITHOUT CPA (CONNECTOR POSITION ASSURANCE)
 - 5 WITH CPA
 - 7 CONTACT CAVITY NUMBER
 - 8 PRODUCTION-DATE
 - 9 MATERIAL MARKING ACC. TO VDA 260
 - 10 ALLOWED WARPAGE ±0.3
 - 11 ALLOWED WARPAGE +0.2/-0.8



CODINGS
KODIERUNGEN



LOC	DIST	P	LTN	MATERIAL	COLOR	RAL-NO	DESCRIPTION	VOLUME MM ³	ITEM NO
VIII	6-2278706-8	A	PBT-GF10	RED	3003	CPA	RETAINER	228	4
			MVO	NATURAL	-	RADIAL SEAL	513	3	
			PBT-GF10	VIOLET	4006	RETAINER	219	2	
VII	6-2278706-7	A	PBT	GREY	7036	6POS	RETAINER	5318	1
			PBT-GF10	RED	3003	CPA	228	4	
			MVO	NATURAL	-	RADIAL SEAL	513	3	
II	6-2278706-2	A	PBT-GF10	VIOLET	4006	RETAINER	219	2	
			PBT	GREEN	6018	6POS	RETAINER	5318	1
			PBT	DARK BROWN	8012	6POS	RETAINER	5318	1
I	6-2278706-1	A	MVO	NATURAL	-	RADIAL SEAL	513	3	
			PBT-GF10	VIOLET	4006	RETAINER	219	2	
			PBT	BLACK	9011	6POS	RETAINER	5146	1
VIII	1-2278706-8	A	MVO	NATURAL	-	RADIAL SEAL	513	3	
			PBT-GF10	VIOLET	4006	RETAINER	219	2	
			PBT	BLACK	9011	6POS	RETAINER	5318	1
VII	2278706-8	A	MVO	NATURAL	-	RADIAL SEAL	513	3	
			PBT	GREY	7036	6POS	RETAINER	5318	1
			MVO	NATURAL	-	RADIAL SEAL	513	3	
VII	2278706-7	A	PBT-GF10	VIOLET	4006	RETAINER	219	2	
			PBT	GREEN	6018	6POS	RETAINER	5318	1
			MVO	NATURAL	-	RADIAL SEAL	513	3	
VI	2278706-6	A	PBT-GF10	VIOLET	4006	RETAINER	219	2	
			PBT	WHITE	9010	6POS	RETAINER	5318	1
			MVO	NATURAL	-	RADIAL SEAL	513	3	
I	1-2278706-5	A	PBT-GF10	VIOLET	4006	RETAINER	219	2	
			PBT	BLACK	9011	6POS	RETAINER	5318	1
			MVO	NATURAL	-	RADIAL SEAL	513	3	
V	2278706-5	A	PBT	NATURAL	-	RADIAL SEAL	513	3	
			PBT-GF10	VIOLET	4006	RETAINER	219	2	
			PBT	BLUE	5012	6POS	RETAINER	5318	1
IV	2278706-4	A	MVO	NATURAL	-	RADIAL SEAL	513	3	
			PBT-GF10	VIOLET	4006	RETAINER	219	2	
			PBT	ORANGE	2003	6POS	RETAINER	5318	1
III	2278706-3	A	MVO	NATURAL	-	RADIAL SEAL	513	3	
			PBT-GF10	VIOLET	4006	RETAINER	219	2	
			PBT	RED	3003	6POS	RETAINER	5318	1
II	1-2278706-2	A	MVO	NATURAL	-	RADIAL SEAL	513	3	
			PBT-GF10	VIOLET	4006	RETAINER	219	2	
			PBT	BLACK	9011	6POS	RETAINER	5318	1
I	2278706-2	A	PBT-GF10	VIOLET	4006	RETAINER	219	2	
			PBT	DARK BROWN	8012	6POS	RETAINER	5318	1
			MVO	NATURAL	-	RADIAL SEAL	513	3	
I	2278706-1	A	PBT-GF10	VIOLET	4006	RETAINER	219	2	
			PBT	NATURAL	-	RADIAL SEAL	513	3	
			PBT	BLACK	9011	6POS	RETAINER	5146	1

THIS DRAWING IS A CONTROLLED DOCUMENT.

OWNER: CH. ZONG 18AUG 14
 CH. H. YE 18AUG 14
 APVD: S. WANG 18AUG 14

TE Connectivity
 NAME: 6POS, AMP MCPI.5K, REC HSG, ASSY

SIZE: A1
 CAGE CODE: -
 DRAWING NO: C=2278706

RESTRICTED TO: -
 SCALE: 2:1
 SHEET: 1 OF 1
 REV: A9