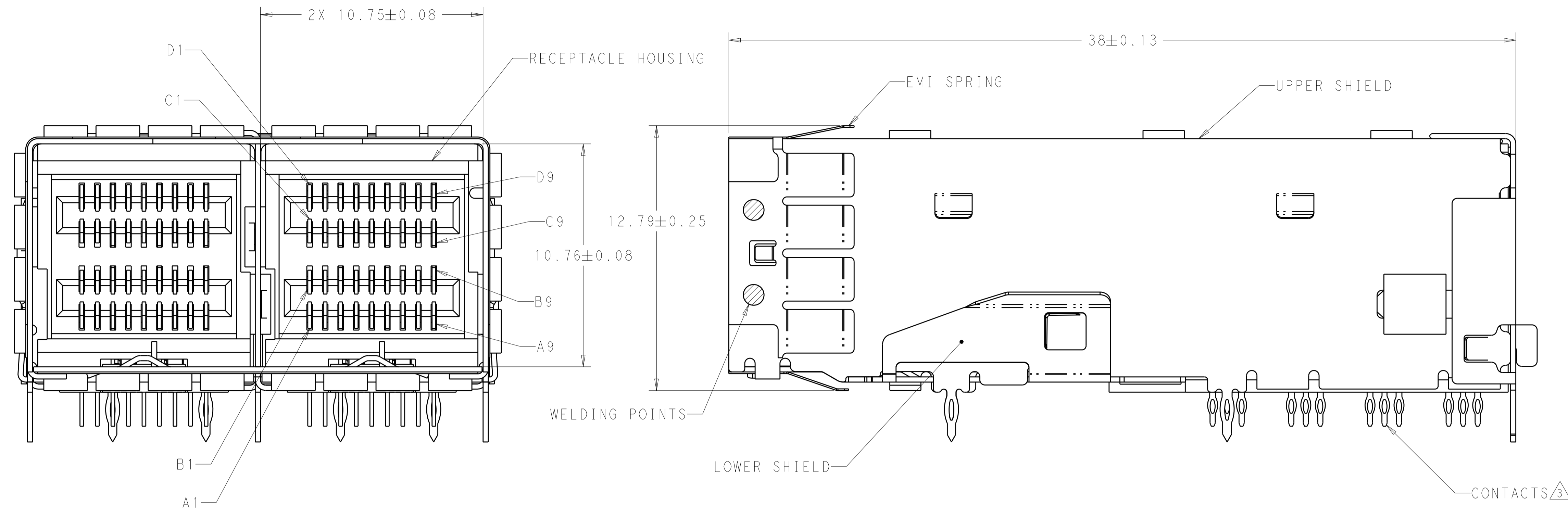
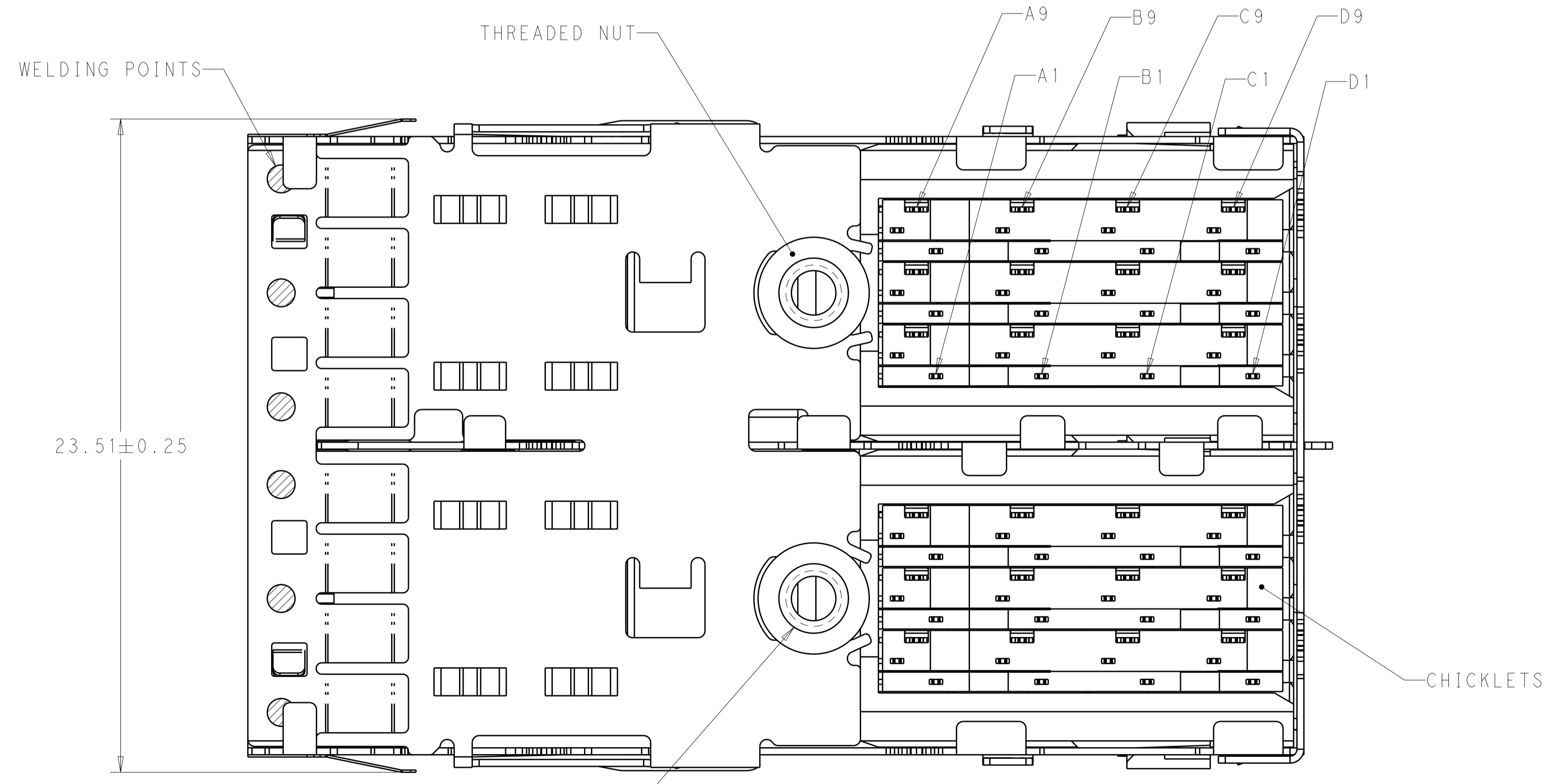


LOC	DIST	REVISIONS					
GP	00	P	LTN	DESCRIPTION	DATE	DWN	APVD
		A		REVISED PER ECO-14-018497	17DEC2013	AP	DG
		B		REVISED PER ECO-15-013876	16MAY2016	JY	SH



- MATERIALS
 RECEPTACLE HOUSING, LCP, BLACK, UL94V-0 RATED
 SHIELD ASSY: NICKEL SILVER COPPER ALLOY
 CONTACTS: COPPER ALLOY
 EMI SPRING: COPPER ALLOY
 THREADED NUT: BRASS
 CHICKLETS: LCP, BLACK, UL 94V-0 RATED
- FINISH
 EMI SPRING: TIN PLATE OVER NICKEL PLATE
 NON-PLATED EDGES PERMISSABLE
 THREADED NUT: NICKEL PLATE
- CONTACT FINISH: CONFORMS TO THE REQUIREMENTS OF TE PRODUCT SPECIFICATION, 108-2462. BASED ON EIA/ECA-364-1000.01A. (CONTROLLED ENVIRONMENT APPLICATIONS) ON MATING END. TIN PLATED ON PCB TAIL
- FASTENER THREAD LENGTH = PCB THICKNESS + 1.45 MAX
- RECOMMENDED TRACE KEEP OUT ZONE



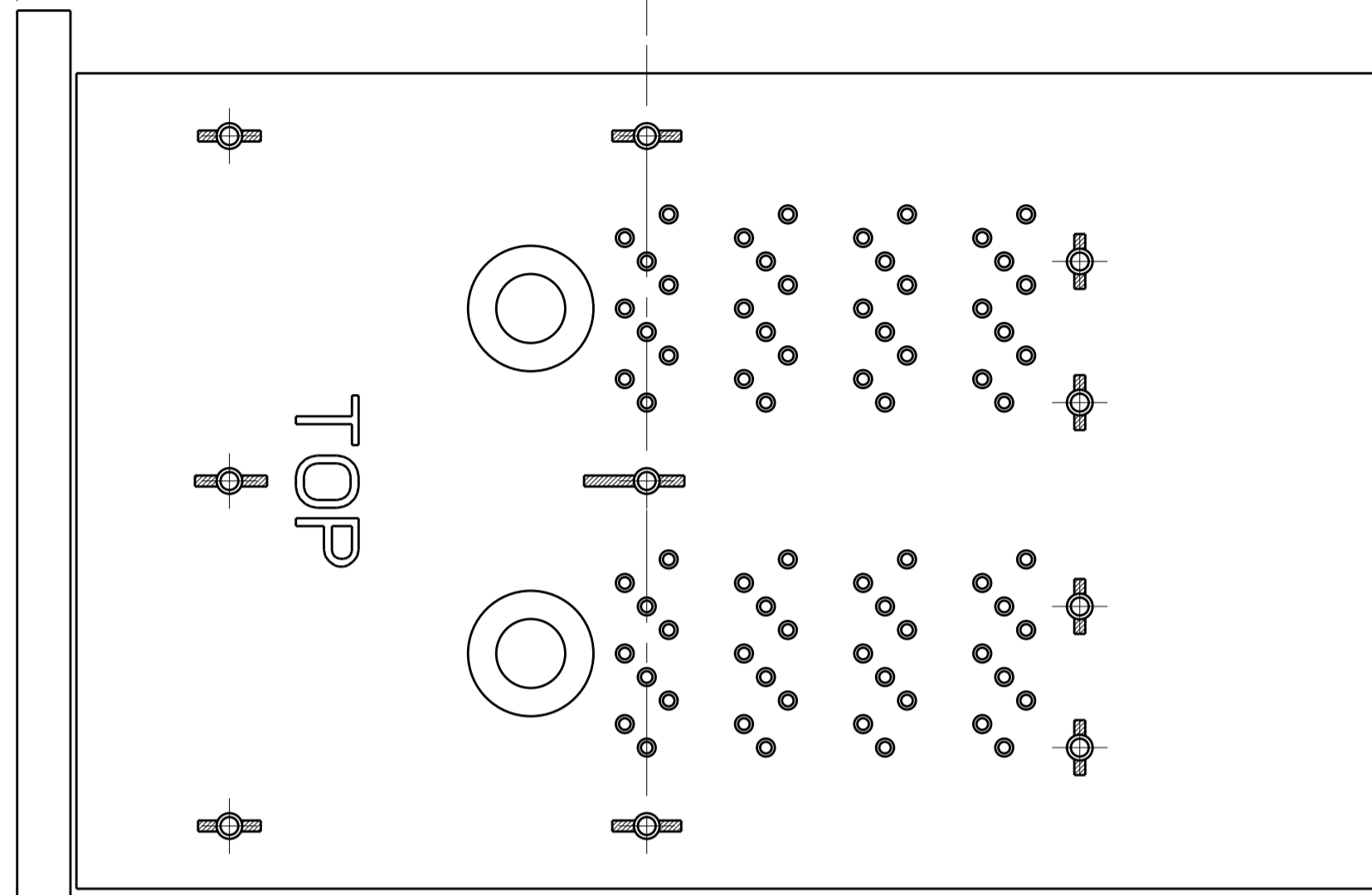
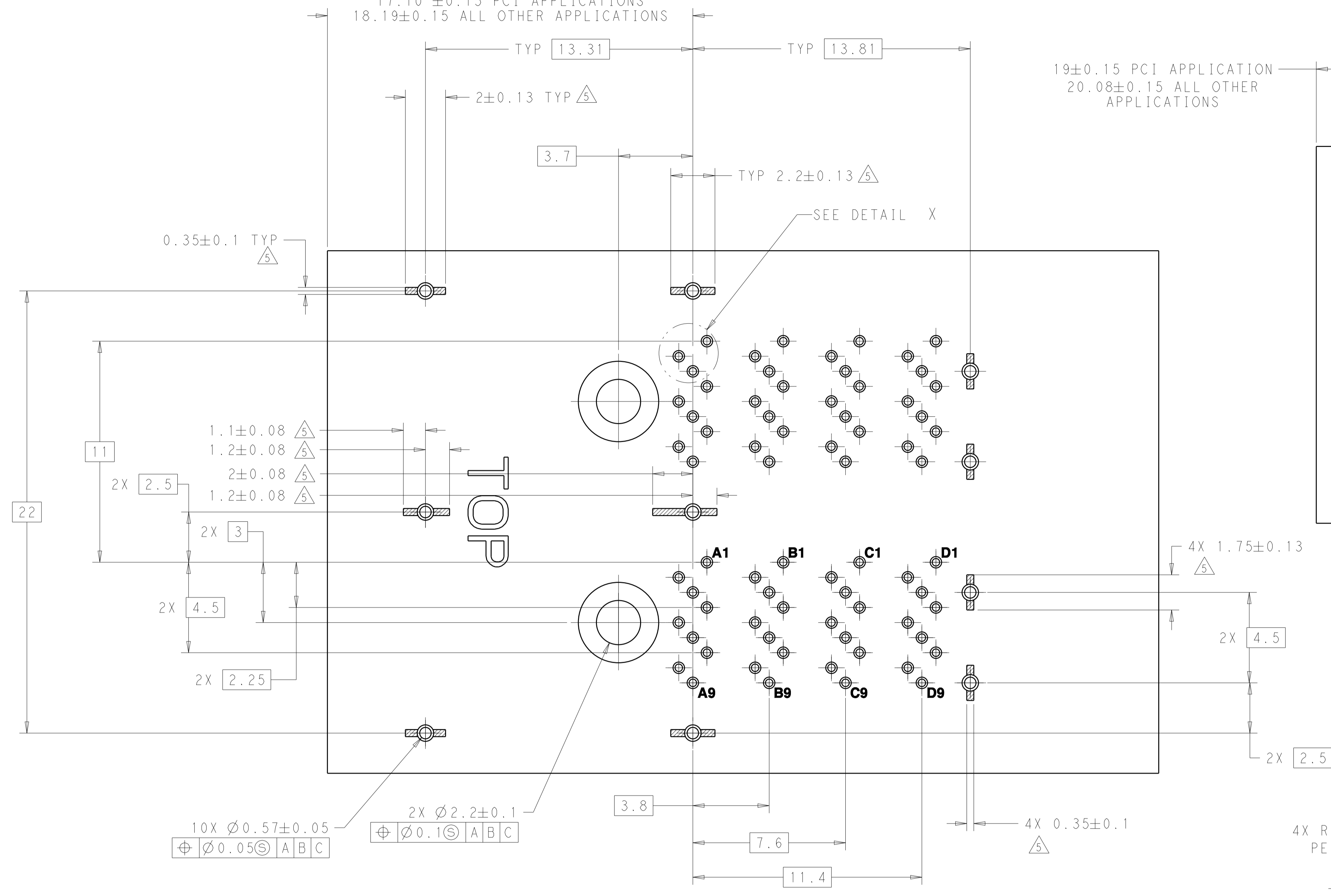
2274523-1
PART NUMBER

THIS DRAWING IS A CONTROLLED DOCUMENT.		DWN C. VALENTINI 17DEC2013	TE Connectivity NAME RECEPTACLE ASSEMBLY, MINI-SAS HD, 2X
DIMENSIONS:		CHK D. GORENC 17DEC2013	
mm	TOLERANCES UNLESS OTHERWISE SPECIFIED:	APVD D. GORENC 17DEC2013	PRODUCT SPEC 108-2462
	0 PLC ±	APPLICATION SPEC 114-13316	SIZE A1
	1 PLC ±	WEIGHT	CAGE CODE 00779
	2 PLC ±	FINISH	SCALE 8:1
	3 PLC ±		SHEET 1 OF 2
	4 PLC ±		REV B
	ANGLES ±	CUSTOMER DRAWING	

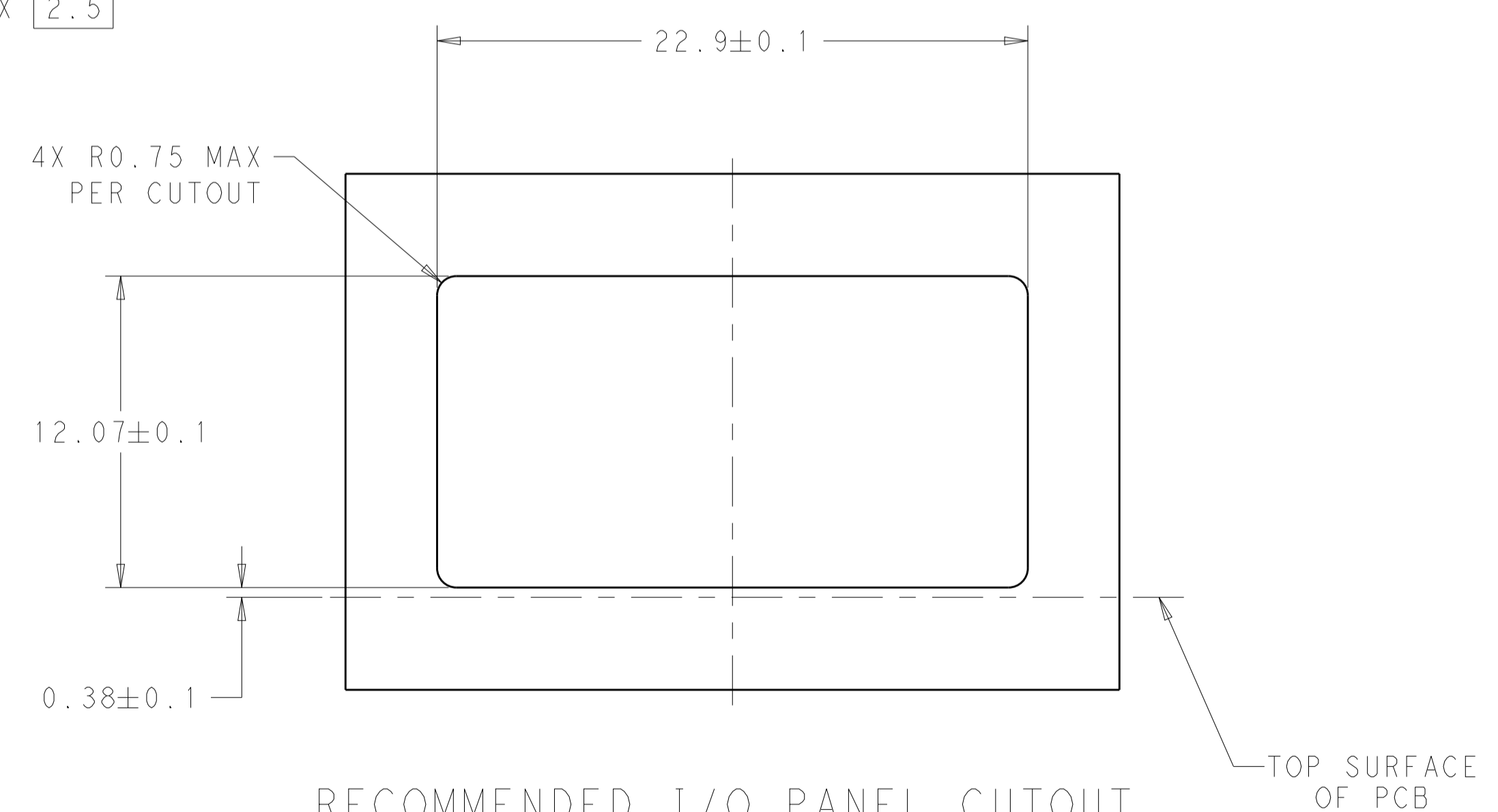
LOC	DIST	REVISIONS					
GP	00	P	LTN	DESCRIPTION	DATE	DWN	APVD
		-		SEE SHEET 1			

17.10 ±0.15 PCI APPLICATIONS
 18.19±0.15 ALL OTHER APPLICATIONS

19±0.15 PCI APPLICATION
 20.08±0.15 ALL OTHER APPLICATIONS

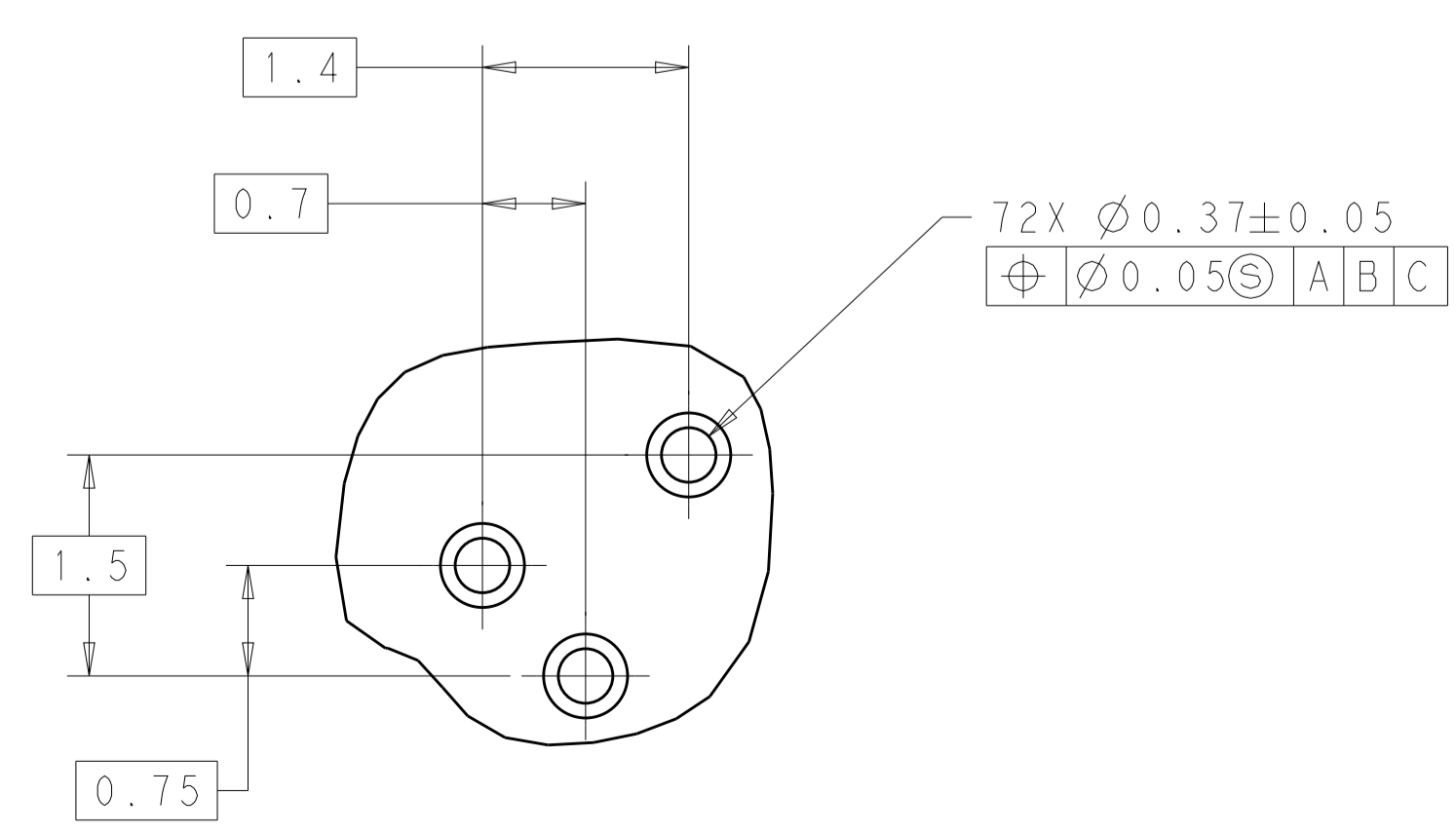
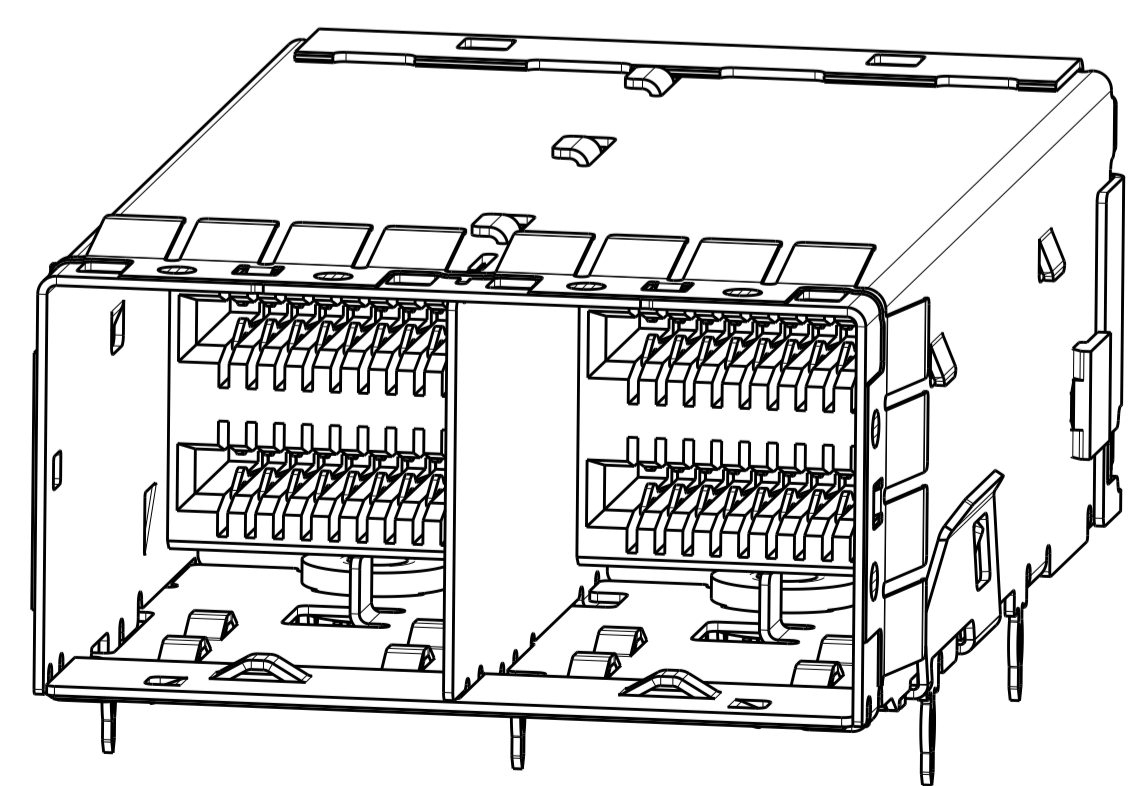


PANEL/PCB ASSEMBLY
 SCALE=5:1



RECOMMENDED I/O PANEL CUTOUT
 SCALE=5:1

RECOMMENDED PCB LAYOUT



DETAIL X
 SCALE 20:1

THIS DRAWING IS A CONTROLLED DOCUMENT.		DWN C. VALENTINI 17DEC2013	TE Connectivity
DIMENSIONS:		CHK D. GORENC 17DEC2013	
mm	TOLERANCES UNLESS OTHERWISE SPECIFIED:	APVD D. GORENC 17DEC2013	NAME RECEPTACLE ASSEMBLY, MINI-SAS HD, 2X
	0 PLC ±	PRODUCT SPEC	SIZE CAGE CODE DRAWING NO
	1 PLC ±	108-2462	RESTRICTED TO
	2 PLC ±	APPLICATION SPEC	
	3 PLC ±	114-13316	
	4 PLC ±	WEIGHT	
	ANGLES ±	A100779C=2274523	
MATERIAL	FINISH	CUSTOMER DRAWING	SCALE 8:1 SHEET 2 OF 2 REV B