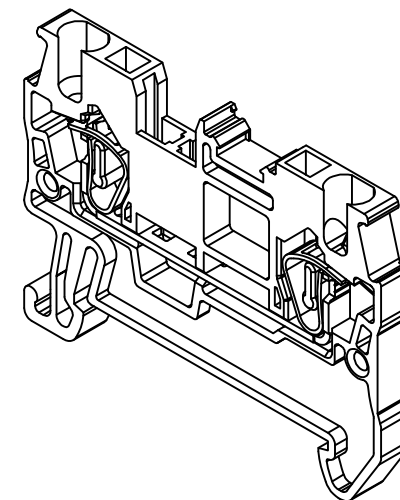
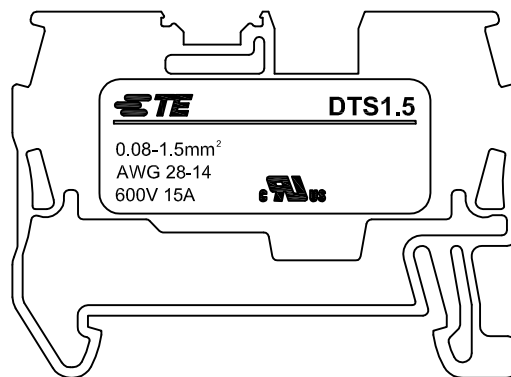
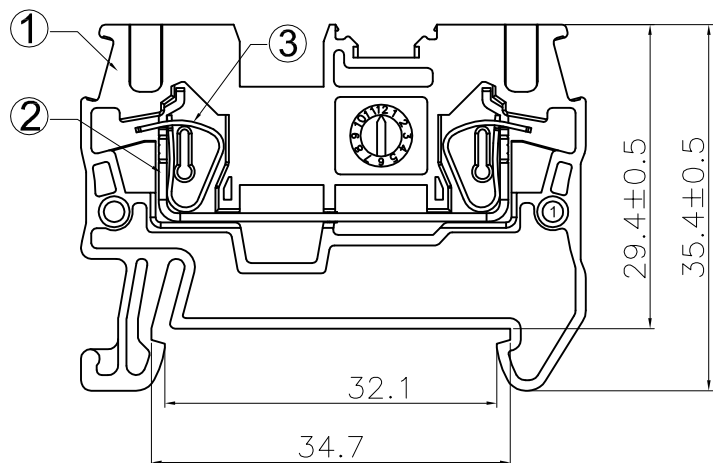
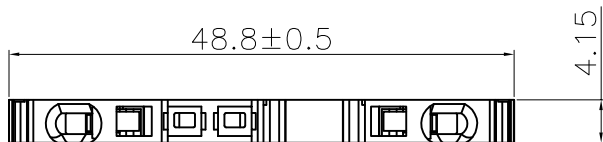


THIS DRAWING IS UNPUBLISHED. RELEASED FOR PUBLICATION  
 © COPYRIGHT - By - ALL RIGHTS RESERVED.

REVISIONS

P	LTR	DESCRIPTION	DATE	DWN	APVD
	A	OFFICIAL VERSION RELEASED	20SEP2015	F.Y	X.X
	A1	PER ECR-15-015708	28OCT2015	F.Y	X.X
	A2	PER ECR-16-006247	16JUN2016	F.Y	X.X



NOTE:

1. Material: See Table
2. Rated current & voltage : 15Amp 600V
3. Rated surge voltage: 6KV
4. Operation temperature : -40°C to +105°C
5. Wire strip length: 8mm -10mm
6. Suitable wire size : 28 - 14 AWG
7. Requirement for environmental substance must be compliance with ROHS and REACH.
8. Recommended support rail requirements refer to 114 application specification.

DTS 1.5	2271552-5	BLACK
	2271552-4	RED
	2271552-3	ORANGE
	2271552-2	BLUE
	2271552-1	GRAY
TE SERIES NO.	PART NUMBER	COLOR

ITEM	COMPONENTS	MATERIAL	Q'TY	PLATING
3	SPRING CLAMP	STAINLESS STEEL	2	
2	TERMINAL	COPPER	1	Tin PLATED
1	HOUSING	THERMOPLASTIC	1	

THIS DRAWING IS A CONTROLLED DOCUMENT.		DWN FENCER YU 16JUN2016	TE Connectivity	
		CHK KOBBY ZHAO 16JUN2016		
DIMENSIONS: mm		APVD XIANG XU 16JUN2016	NAME 1.5mm <sup>2</sup> WIRE 1 IN 1 OUT SPRING CLAMP TYPE TERMINAL BLOCK	
TOLERANCES UNLESS OTHERWISE SPECIFIED: 0 PLC ± 0.50 1 PLC ± 0.35 2 PLC ± 0.30 3 PLC ± 4 PLC ± ANGLES ± 3°		PRODUCT SPEC 108-137138		
MATERIAL -		APPLICATION SPEC 114-137138	SIZE A3	CAGE CODE 00779
FINISH -		WEIGHT 0.000000	DRAWING NO C=2271552	RESTRICTED TO -
CUSTOMER DRAWING			SCALE 1:1	SHEET 1 OF 1
			REV A2	