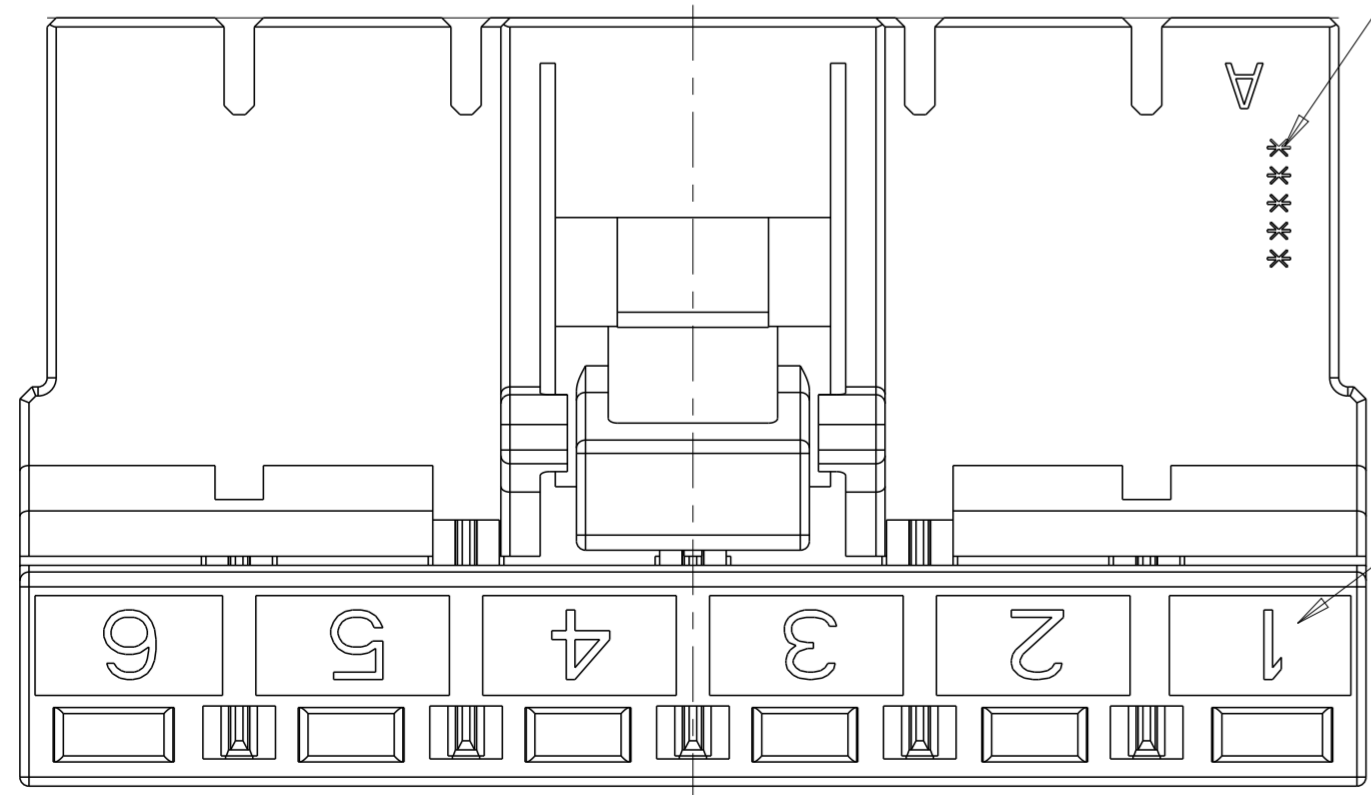
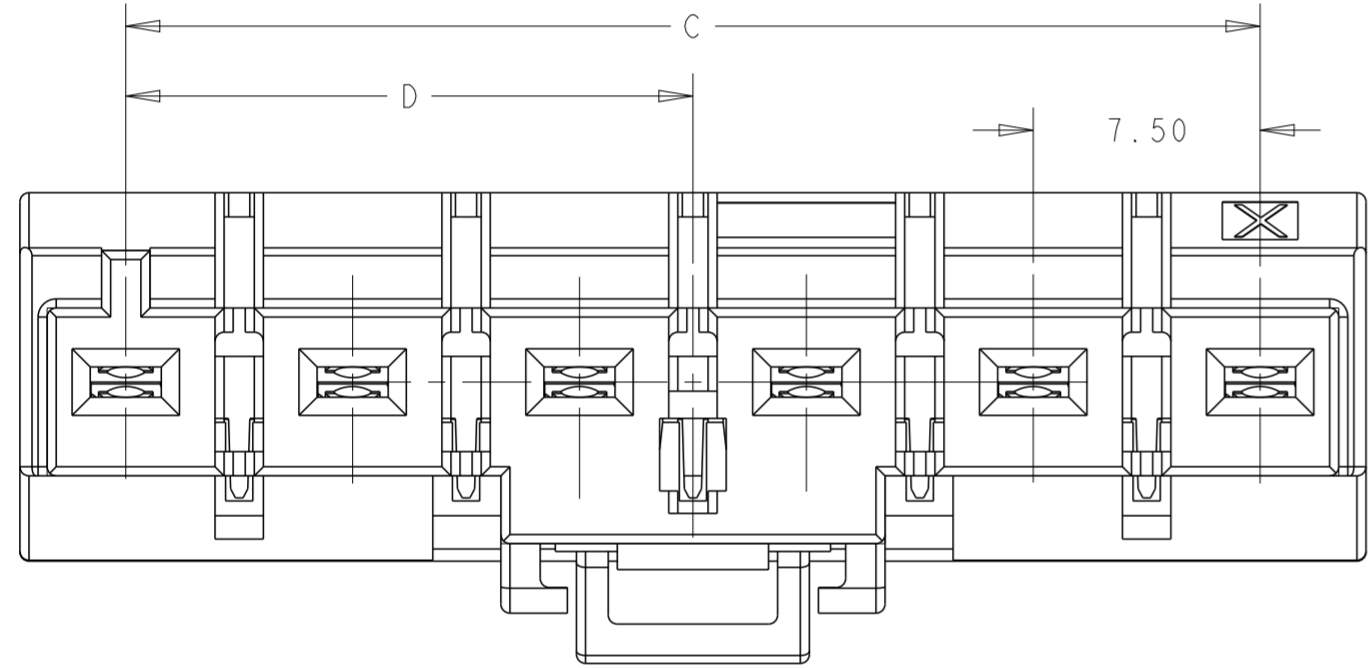
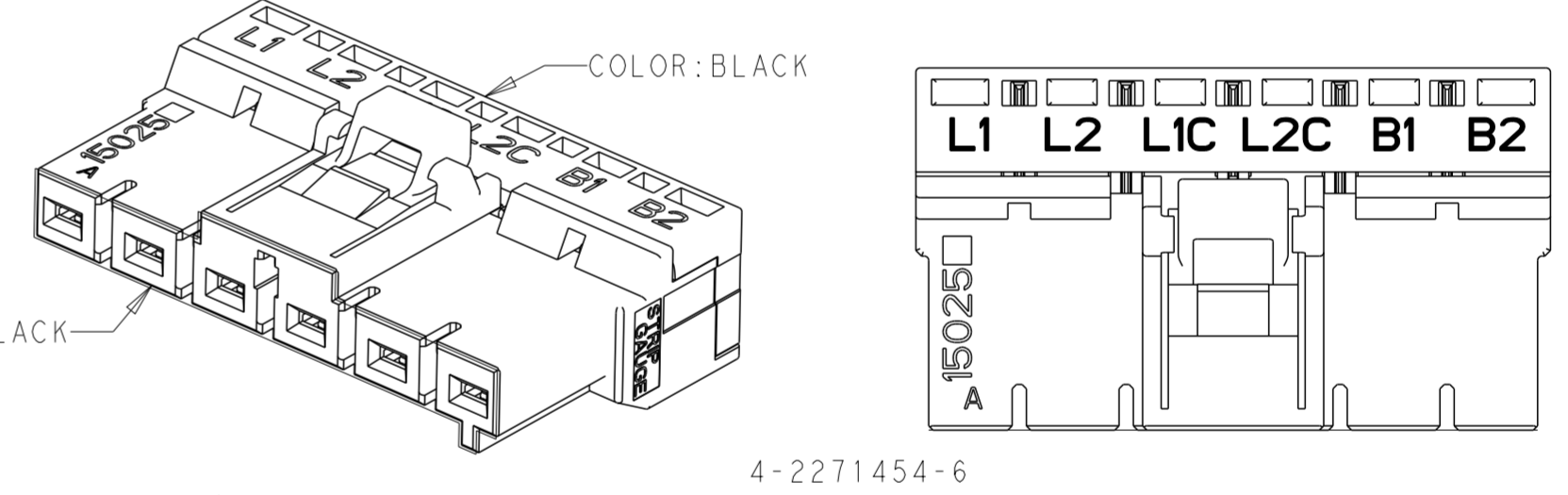
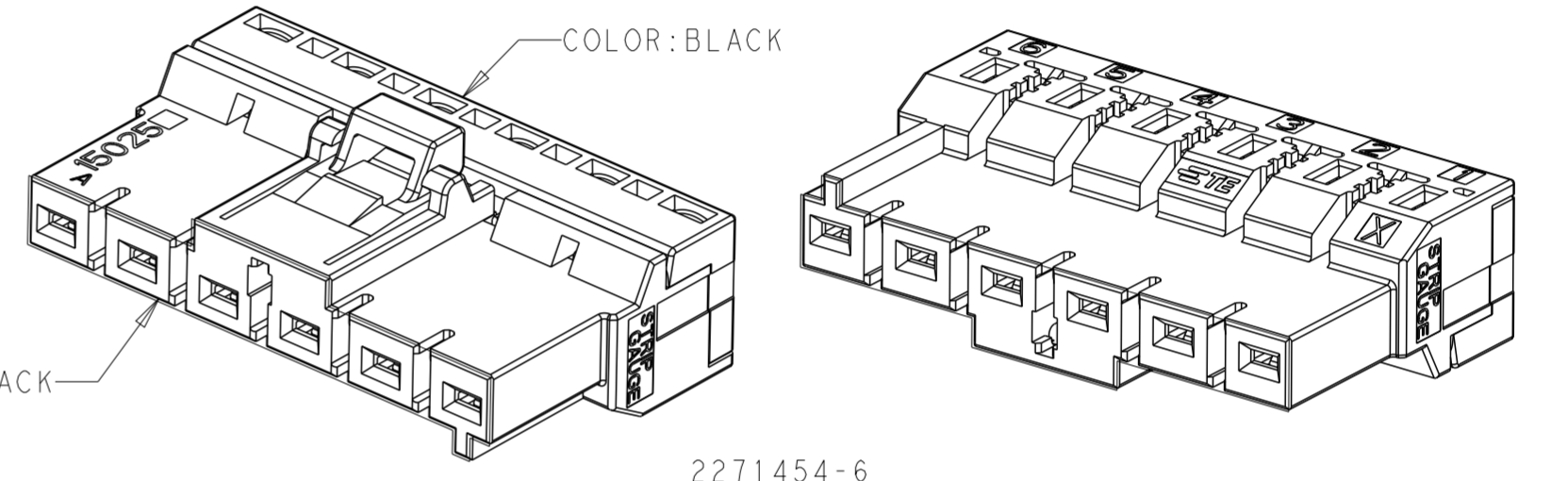
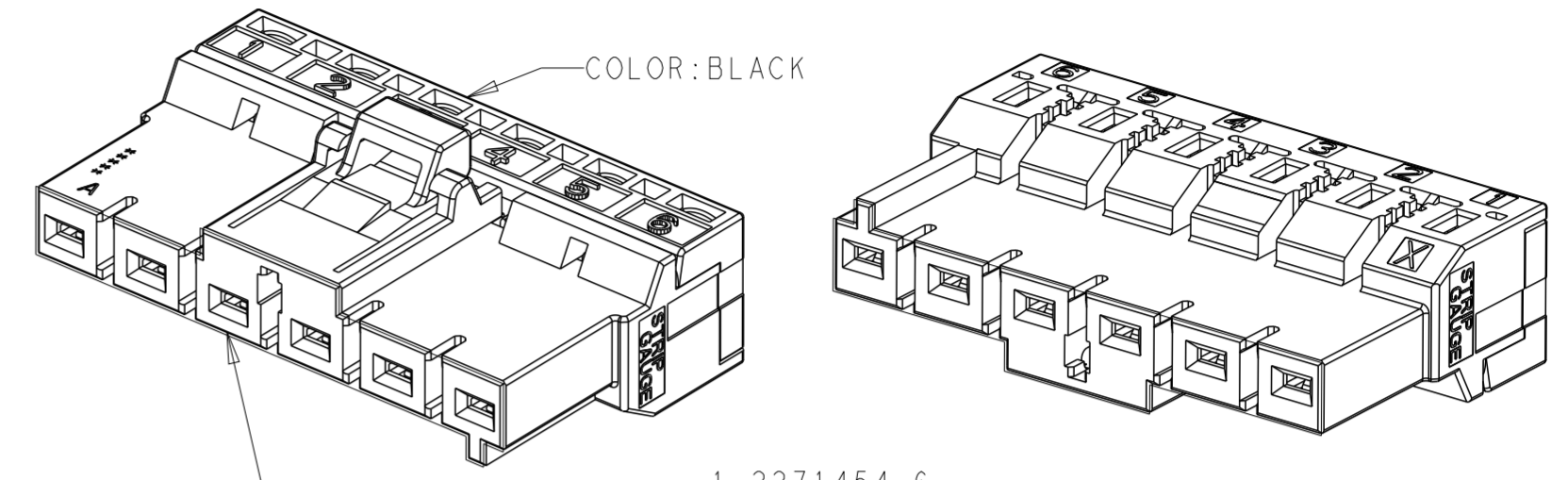
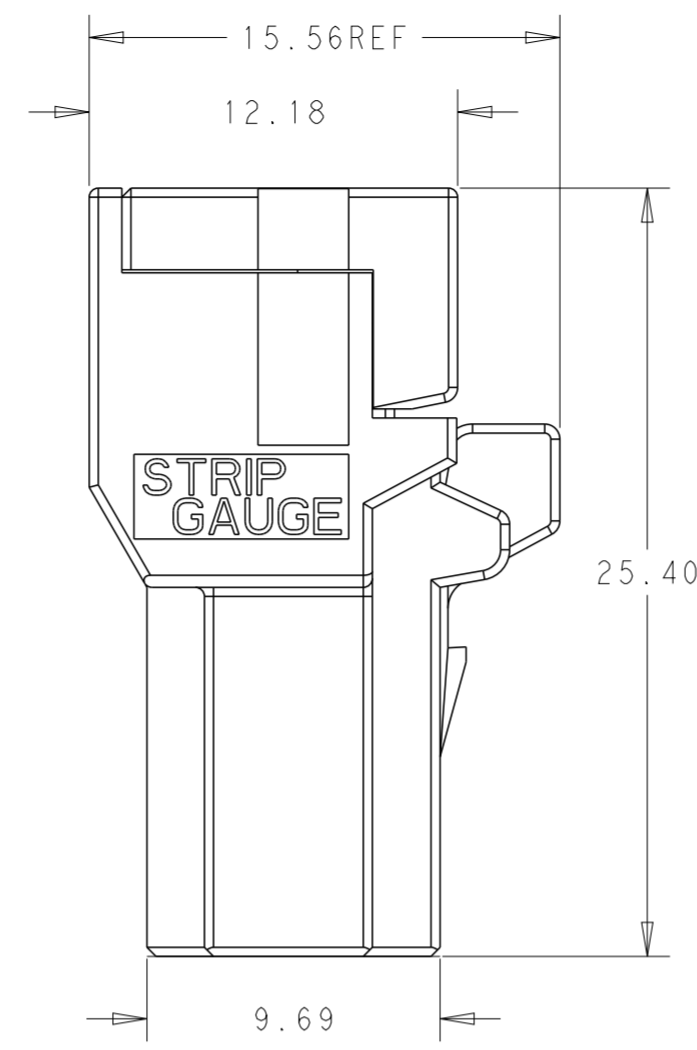
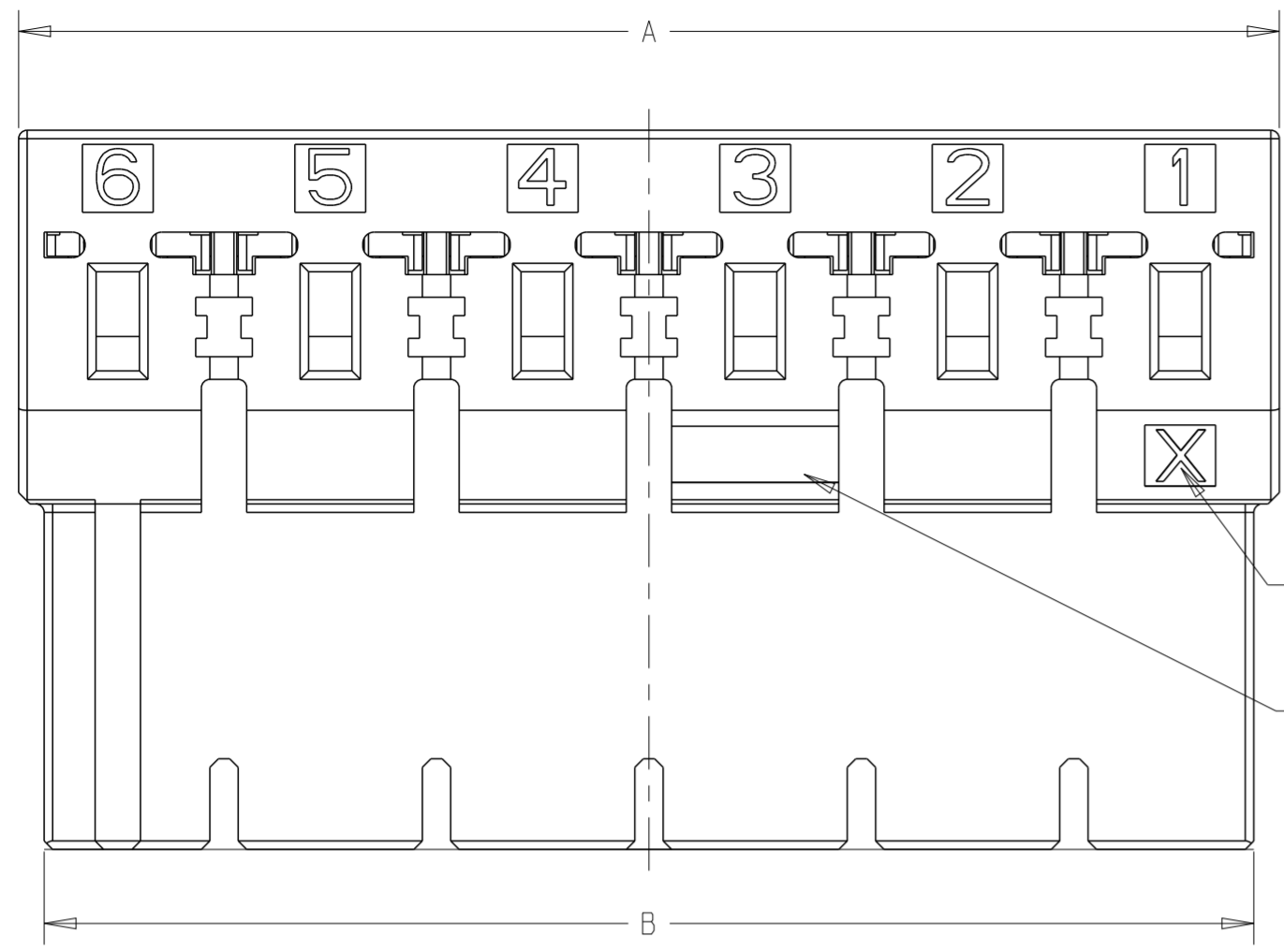


THIS DRAWING IS UNPUBLISHED. RELEASED FOR PUBLICATION 20
 © COPYRIGHT 20 BY - ALL RIGHTS RESERVED.

REVISIONS					
P	LTR	DESCRIPTION	DATE	DWN	APVD
B		REVISED	25JUN2018	K.T	E.I
C		REVISED PER ECR-19-016272	21OCT2019	T.S	E.I
D		REVISED	02JUL2020	RI	EI
E		REVISED	11SEP2024	H.O	T.S

AS SHOWN 1-2271454-6



DATE CODE (FIRST 5 DIGITS)
 ASSEMBLY MACHINE ID (THE REST)

MARKING

- ① NOTE DELETED
- ② RATED VOLTAGE: 600VAC,
- ③ APPLICATION CABLE: 22AWG~14AWG
- ④ OPERATION TEMPERATURE: -30°C~105°C
- ⑤ CONTACT RESISTANCE: 10mΩ MAX. INITIAL
- ⑥ INSULATION RESISTANCE: 1000MΩ MIN. INITIAL
- ⑦ NOTE DELETED
- ⑧ FINISH(CONTACT AREA): GOLD PLATING 0.38umMIN
 FINISH(SOLDER AREA): TIN PLATING

X	WITH	6PIN	18.75	37.50	42.70	44.50	4-2271454-6
X	W/O	6PIN	18.75	37.50	42.70	44.50	2271454-6
X	WITH	6PIN	18.75	37.50	42.70	44.50	1-2271454-6
KEY MARK	MARKING	PINS	DIM.D	DIM.C	DIM.B	DIM.A	ASSEMBLY P/N

DIMENSIONS:		TOLERANCES UNLESS OTHERWISE SPECIFIED:		DWN		CHK		APVD		NAME	
mm		0 PLC	±	Ning Wang	08JAN2015	Kobby Zhao		Xiang Xu		DYNAMIC D3950 RECEPTACLE ASSEMBLY	
		1 PLC	±0.50	08JAN2015		108-78997		108-78997		SIZE	
		2 PLC	±0.30			411-78272		411-78272		CAGE CODE	
		3 PLC	±			-		-		DRAWING NO	
		4 PLC	±			-		-		RESTRICTED TO	
		ANGLES	±			-		-		SCALE	
		FINISH	±			-		-		SHEET	
MATERIAL	-		-			-		-		OF	
	-		-			-		-		REV	
	-		-			-		-		E	