

THIS DRAWING IS UNPUBLISHED. VERTRÄULICHE UNVERÖFFENTLICHTE ZEICHNUNG. RELEASED FOR PUBLICATION FREI FÜR VERÖFFENTLICHUNG. 2014. MATED WITH: PASSEND ZU: -

© COPYRIGHT 2014 Tyco Electronics AMP GmbH. ALL RIGHTS RESERVED. ALLE RECHTE VORBEHALTEN.

PROJEKT NR.: PRJ-14-00000805

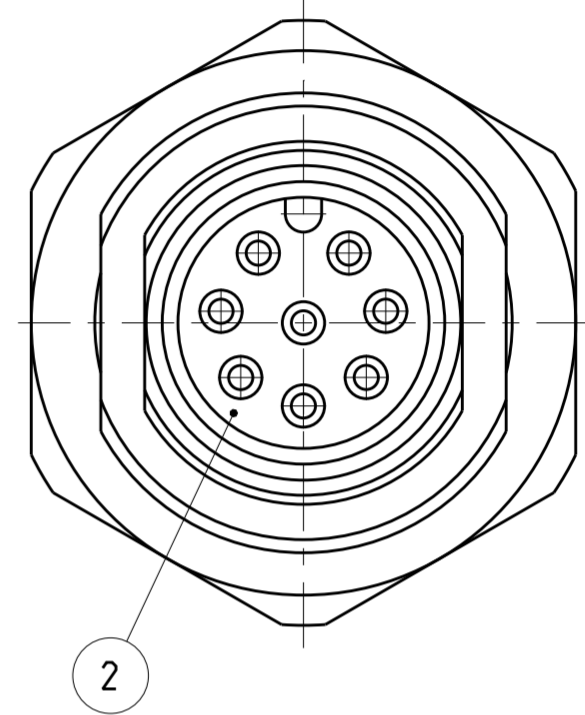
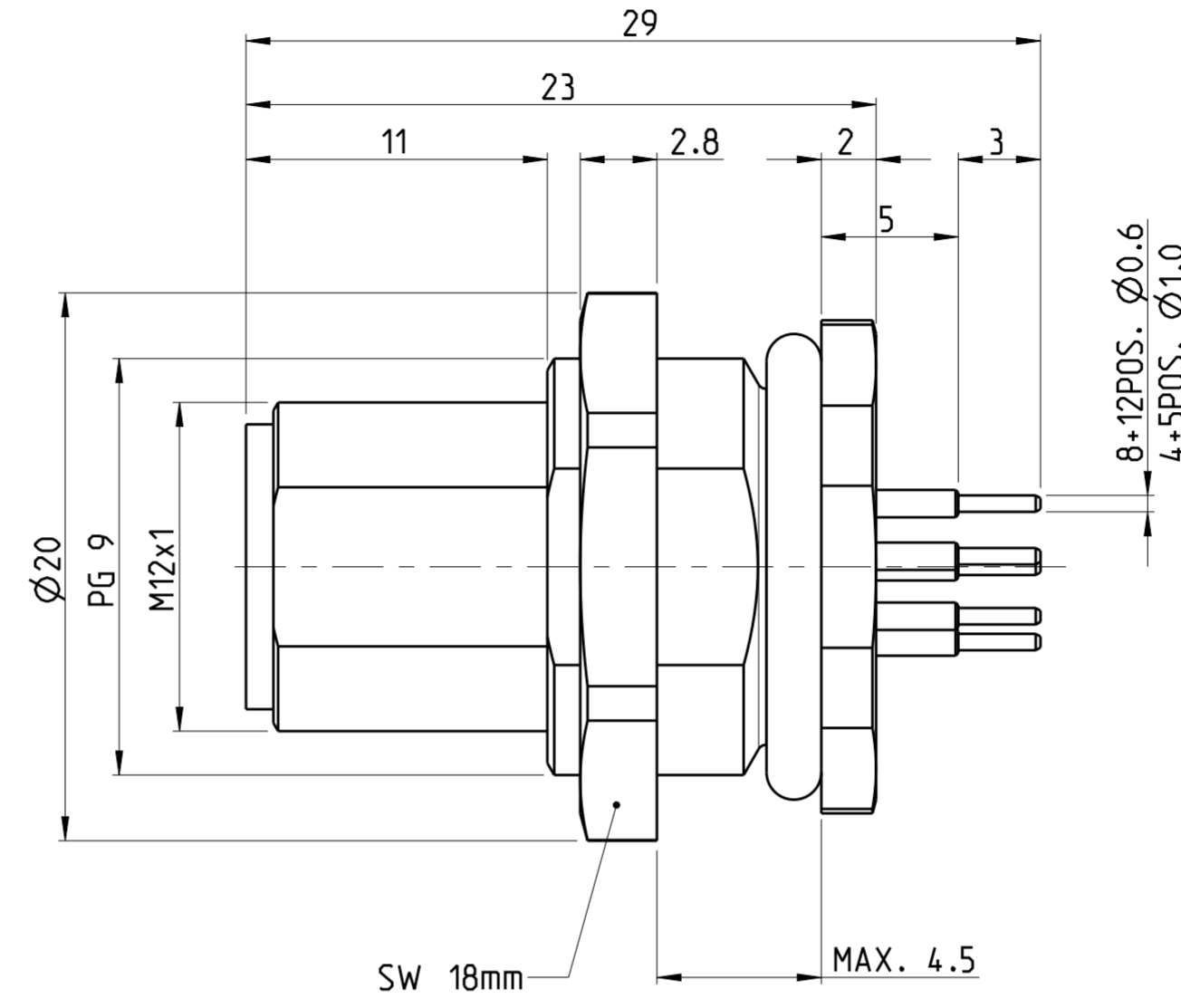
P	LTR	DESCRIPTION / BESCHREIBUNG	DATE	DWN	APVD
A2		ADDED PCB LAYOUT IN DRAWING	20AUG2014	YR	MB
A3		3-2271140-2 AND 4-2271140-2 DISCONTINUED	25SEP2017	TJ	NG
A4		ECR-18-002621.CORRECT ERROR	27Feb2018	TF	CW

**MATERIAL:** ITEM NO. 1: HOUSING - ZINC DIECASTING, NICKEL PLATED  
 ITEM NO. 2: CONTACT BODY - PA  
 ITEM NO. 3: CONTACT - CuZn (brass)  
 CONTACT FINISH - Au (gold)

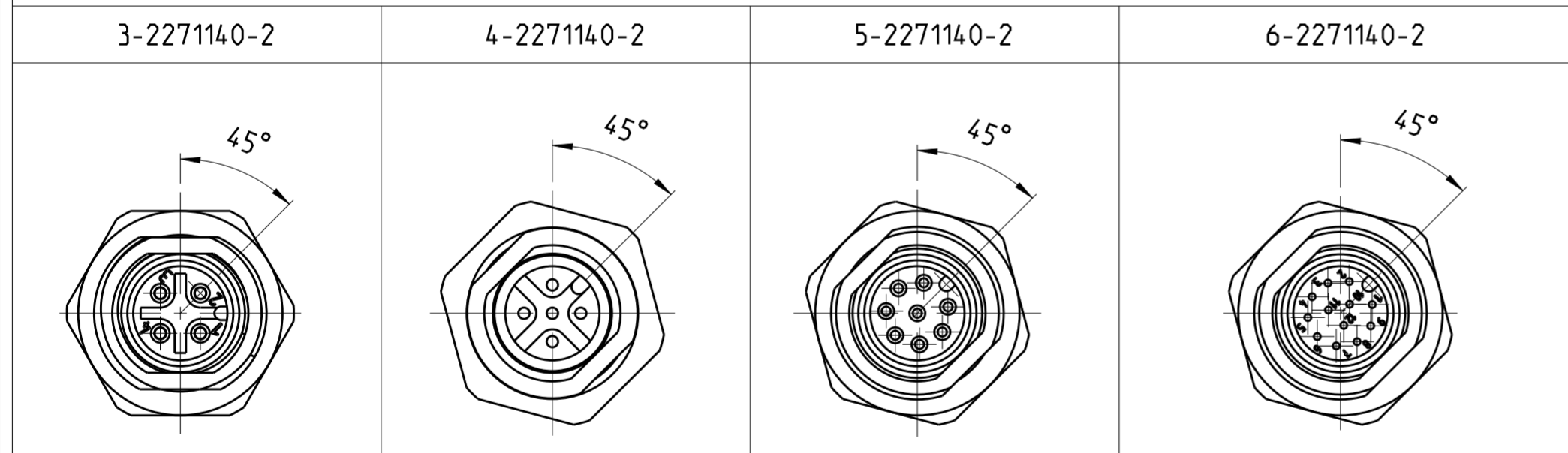
2 ALL DIMENSIONS ARE FOR NOMINAL REFERENCE ONLY UNLESS OTHERWISE STATED

3 PACKAGING: 20 PIECE IN A BAG

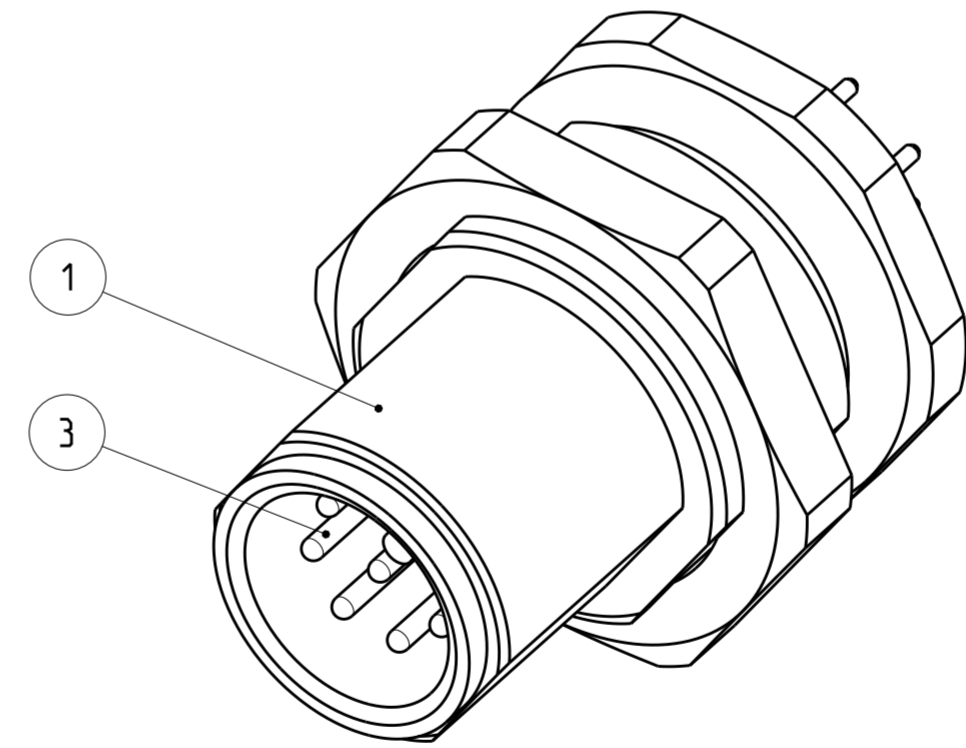
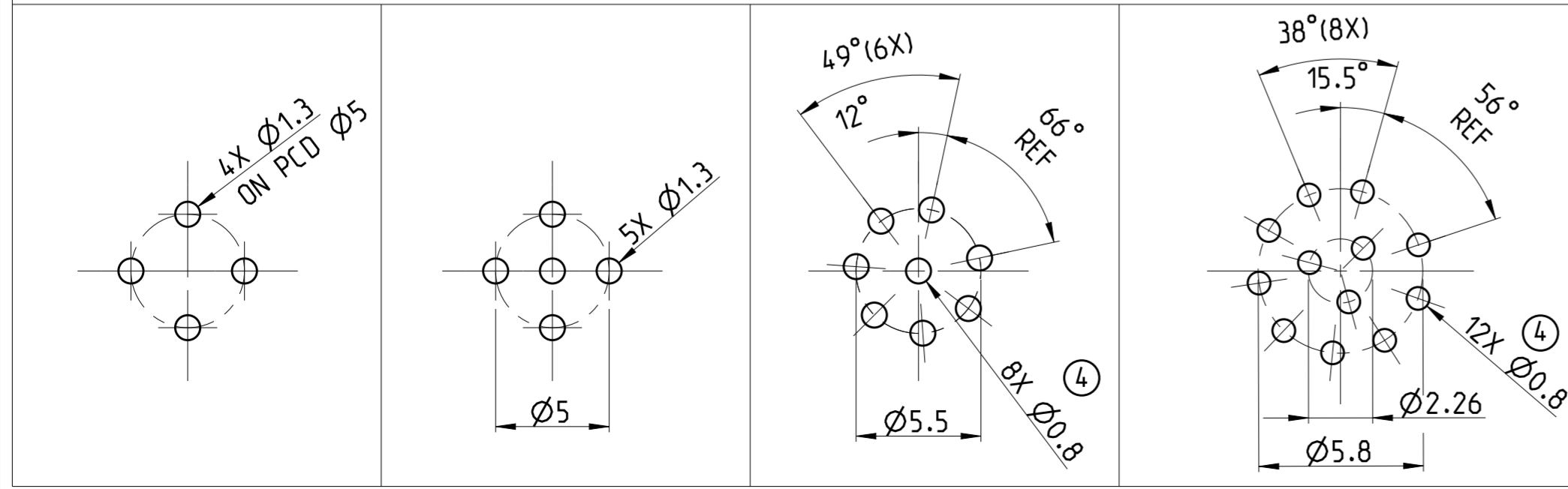
TECHNICAL DATA	3-2271140-2	4-2271140-2	5-2271140-2	6-2271140-2
RATED VOLTAGE	250V	125V	60V	30V
RATED IMPULSE VOLTAGE	2500V	1500V	800V	500V
POLLUTION DEGREE	3	3	3	3
OVERVOLTAGE CATEGORY	II	II	II	II
MATERIAL GROUP	II	II	II	II
RATED CURRENT	4A	4A	2A	2A
VOLUME RESISTIVITY	≤ 3mΩ	≤ 3mΩ	≤ 3mΩ	≤ 3mΩ
DEGREE OF PROTECTION	IP68	IP68	IP68	IP68
UPPER TEMPERATURE	+85 °C	+85 °C	+85 °C	+85 °C
LOWER TEMPERATURE	-40 °C	-40 °C	-40 °C	-40 °C



**PIN ARRANGEMENT**  
A-CODING (SCALE 2:1)



**PCB LAYOUT**



5-2 AS SHOWN WIE GEZEICHNET

WIRES AWG / mm <sup>2</sup>	MATERIAL	NUMBER OF POLES	TE-PART-NO.
26 / 0.14mm <sup>2</sup>	⚠	12	6-2271140-2
24 / 0.25mm <sup>2</sup>	⚠	8	5-2271140-2
24 / 0.25mm <sup>2</sup>	⚠	5	<del>4-2271140-2</del>
24 / 0.25mm <sup>2</sup>	⚠	4	<del>3-2271140-2</del>

SIZE ISO 14405 (E)

DIESE ZEICHNUNG IST EIN KONTROLLIERTES DOKUMENT. BEMASSUNGEN UND TOLERANZEN GEMAESS GPS (ISO STANDARDS). THIS DRAWING IS A CONTROLLED DOCUMENT. DIMENSIONING AND TOLERANCING PER GPS (ISO STANDARDS).

DWN YASHKUMAR 15MAY2014  
 CHK M.STRELOW 15MAY2014  
 APVD C.SCHRETLINGER 15MAY2014

NAME M12 RECEPTACLE, MALE, PCB MOUNT, PANEL REAR, STRAIGHT, A-CODED

PRODUCT SPEC 108-19483  
 APPLICATION SPEC 114-32127

WEIGHT -  
 CUSTOMER DRAWING

SCALE MASSSTAB 4:1  
 SHEET BLATT 1 OF 1  
 REV A4