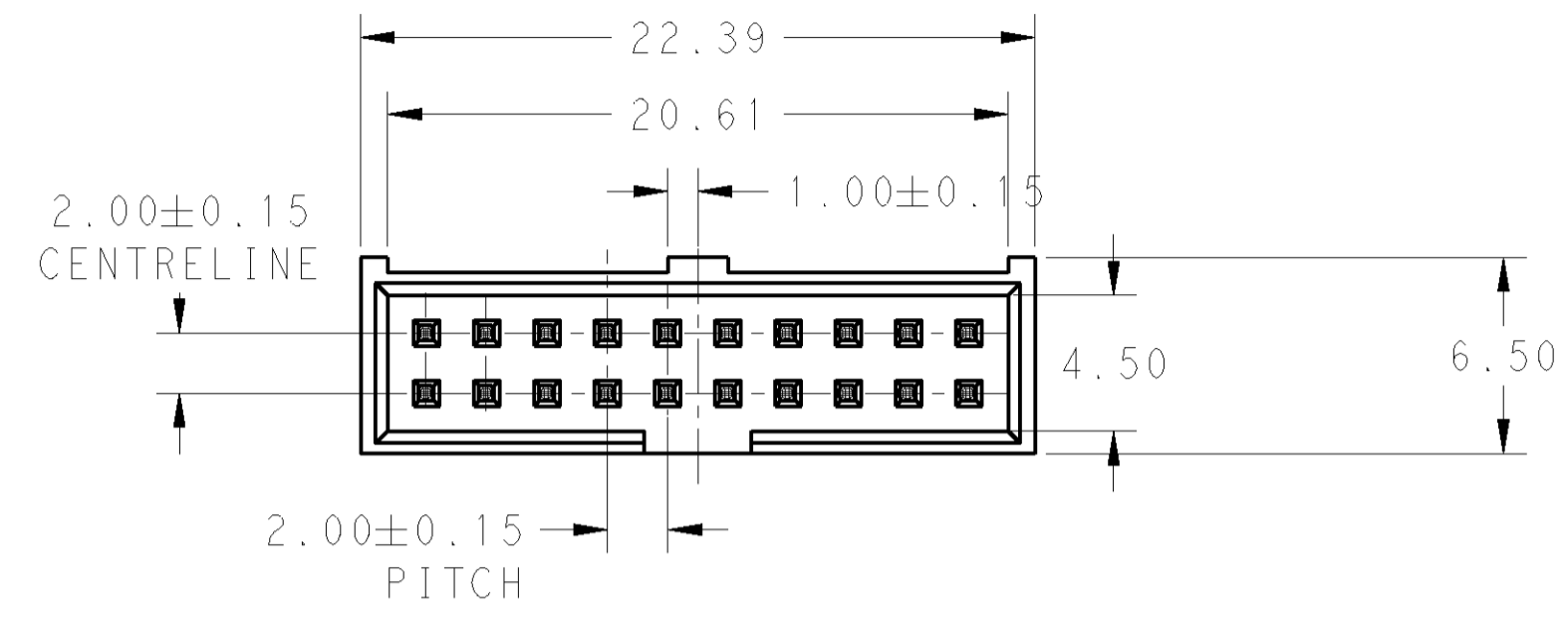
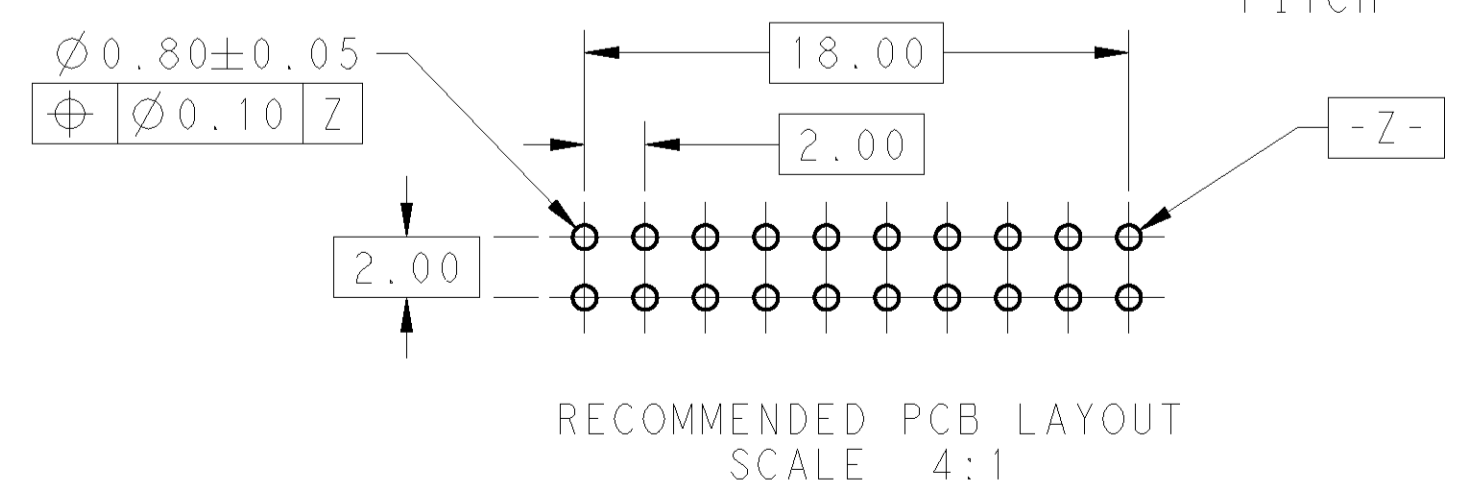
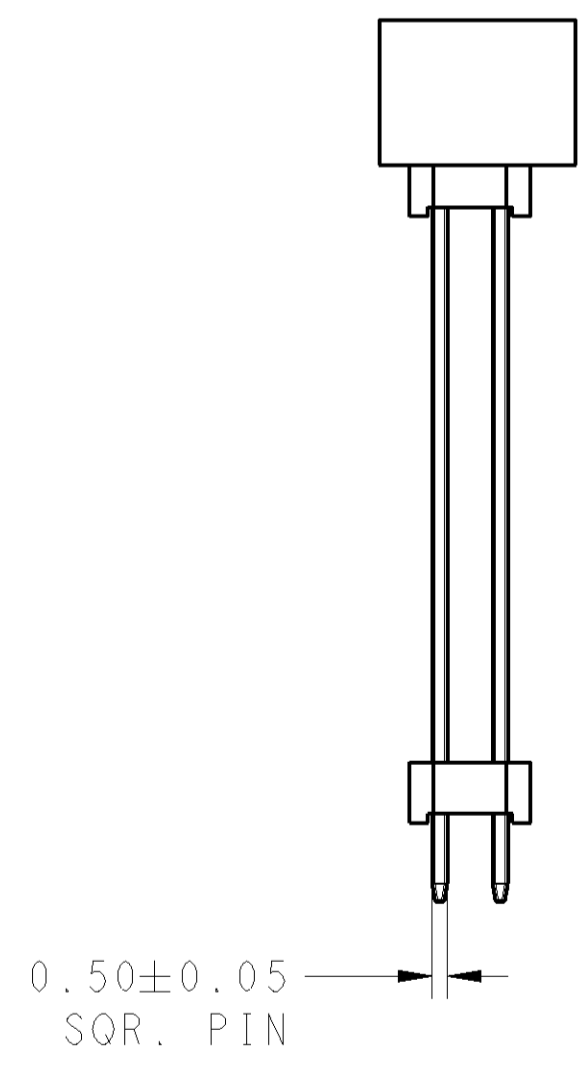
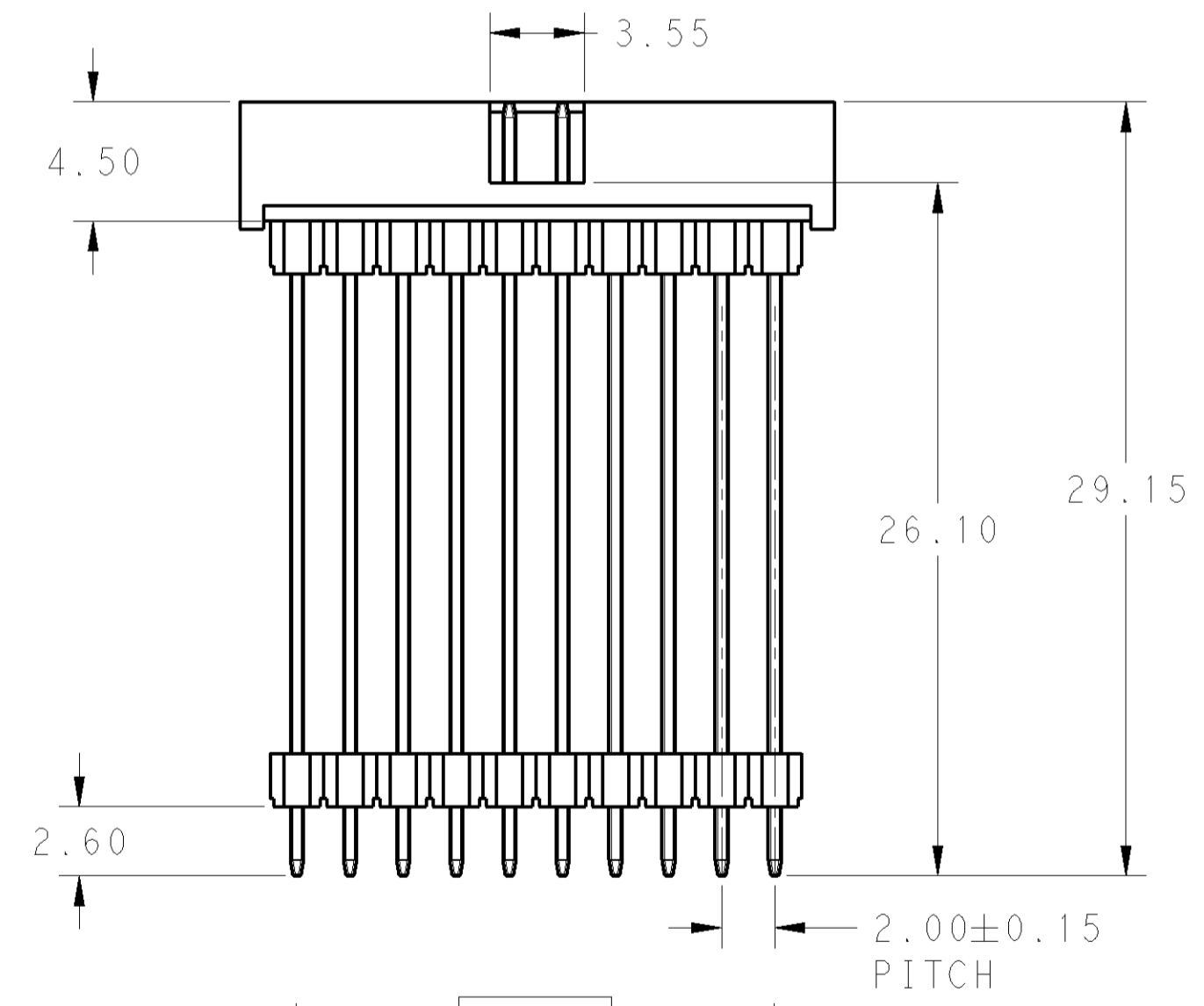


THIS DRAWING IS UNPUBLISHED. RELEASED FOR PUBLICATION
 © COPYRIGHT 30JUL2013 BY - TE CONNECTIVITY ALL RIGHTS RESERVED.

REVISIONS				
P	LTR	DESCRIPTION	DATE	APVD



- NOTE:
- 1 MATERIAL:
INSULATOR: BLACK THERMALPLASTIC, UL94V-0 RATED.
CONTACT PIN: COPPER ALLOY
 - 2 PLATING FINISH:
UNDERPLATING: 1.27um MIN NICKEL PLATING OVERALL
TIN PLATING: 3.81um-6.35um TIN PLATING ON THE SOLDERING AREA
GOLD PLATING: 0.25um GOLD PLATING ON THE MATING AREA
 - 3. OPERATING TEMPERATURE: -40°C - 125°C
 - 4. PROCESSING TEMPERATURE; PEAK 265°C FOR 10 SECONDS
 - 5. CURRENT RATING: 3.0 AMP
 - 6. VOLTAGE WITHSTANDING: 1000 VAC
 - 7. PACKAGING: TUBE



THIS DRAWING IS A CONTROLLED DOCUMENT.		DWN 30JUL2013 LIU,JIYING	STE TE Connectivity	
DIMENSIONS: mm		CHK 30JUL2013 ZHAO,KOBBY		
TOLERANCES UNLESS OTHERWISE SPECIFIED:		APVD 30-JUL2013 YIN,PETER	NAME AMPMODU, SHROUDED, PIN HEADER THROUGH HOLE, 20 POSITION 2.00mm PITCH	
0 PLC ± 1 PLC ± 2 PLC ±0.25 3 PLC ± 4 PLC ±		PRODUCT SPEC 108-137777	SIZE A2	CAGE CODE 07799
MATERIAL		APPLICATION SPEC -	DRAWING NO C-2271023	RESTRICTED TO -
ANGLES ±		WEIGHT -	SCALE 1:1 SHEET 1 OF 1 REV A	
FINISH		CUSTOMER DRAWING		