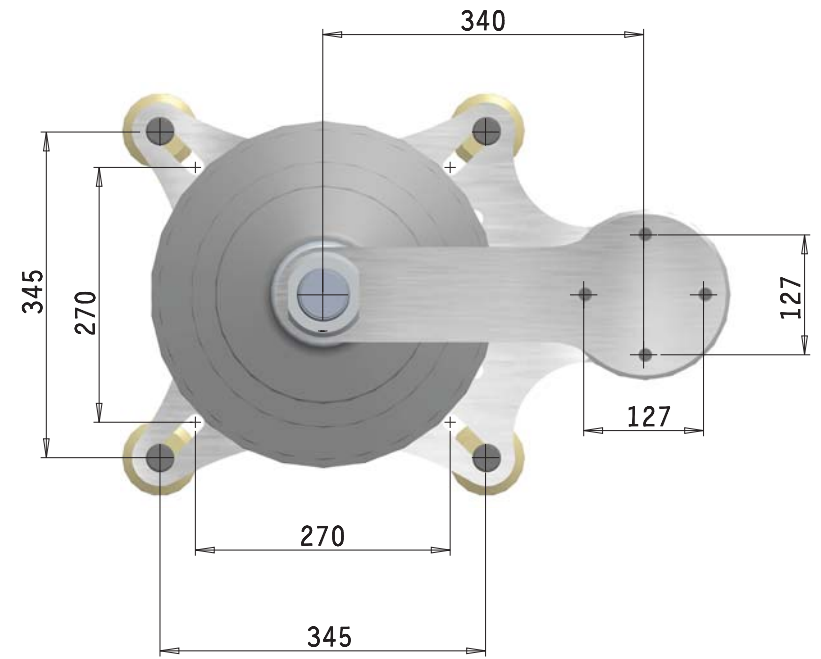
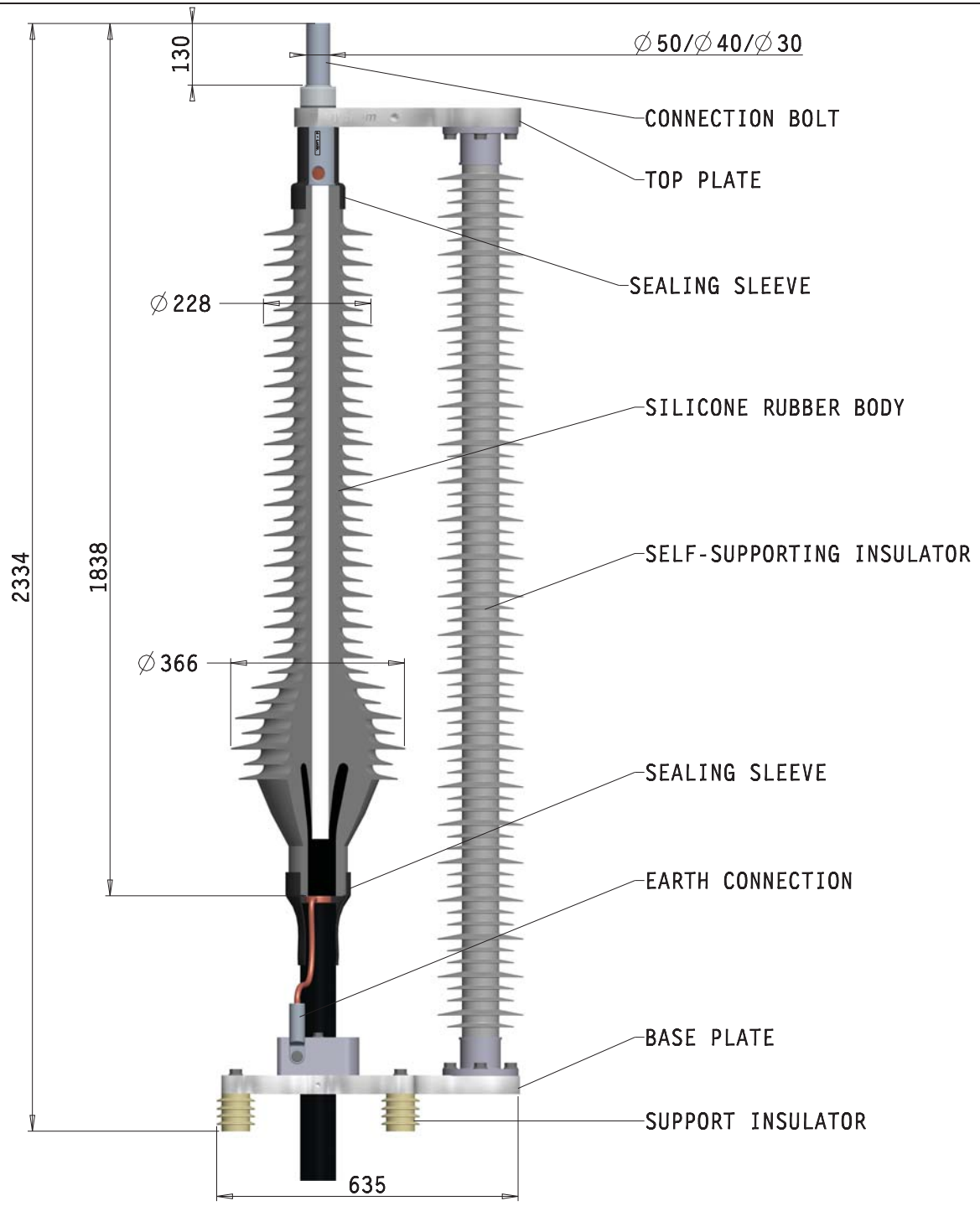


While TE Connectivity®(TE) has made every reasonable effort to ensure the accuracy of the information in the catalog, TE does not guarantee that it is error free, nor does TE make any other representation, warranty or implied warranties regarding the information contained herein, including, but not limited to, any implied warranties or merchantability or fitness for a particular purpose. The dimensions in this catalog are for reference purpose only and are subject to change without notice. Specifications are subject to change without notice. Consult TE for the latest dimensions and design specifications.



OUTDOOR-TERMINATION
145 kV
COMPOSITE-INSULATOR
FOR POLYMERIC-CABLE

OHVT-145FS
Offer drawing



Raychem High Voltage Cable Accessories

TE Connectivity drawing no: EPD-204-2243-00 REV. 1