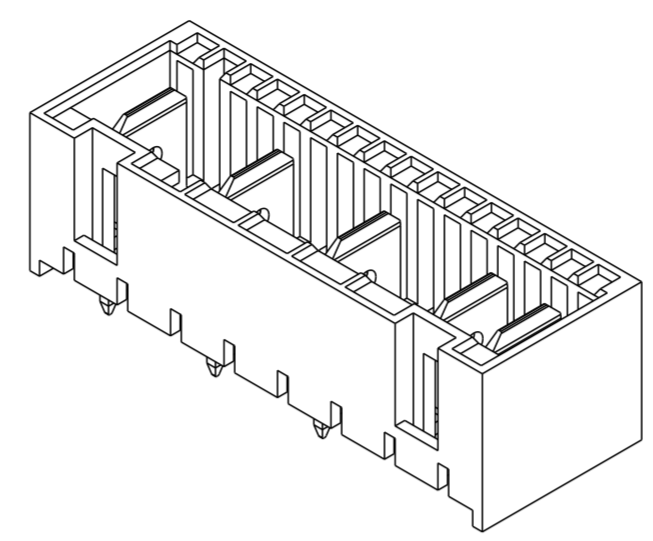
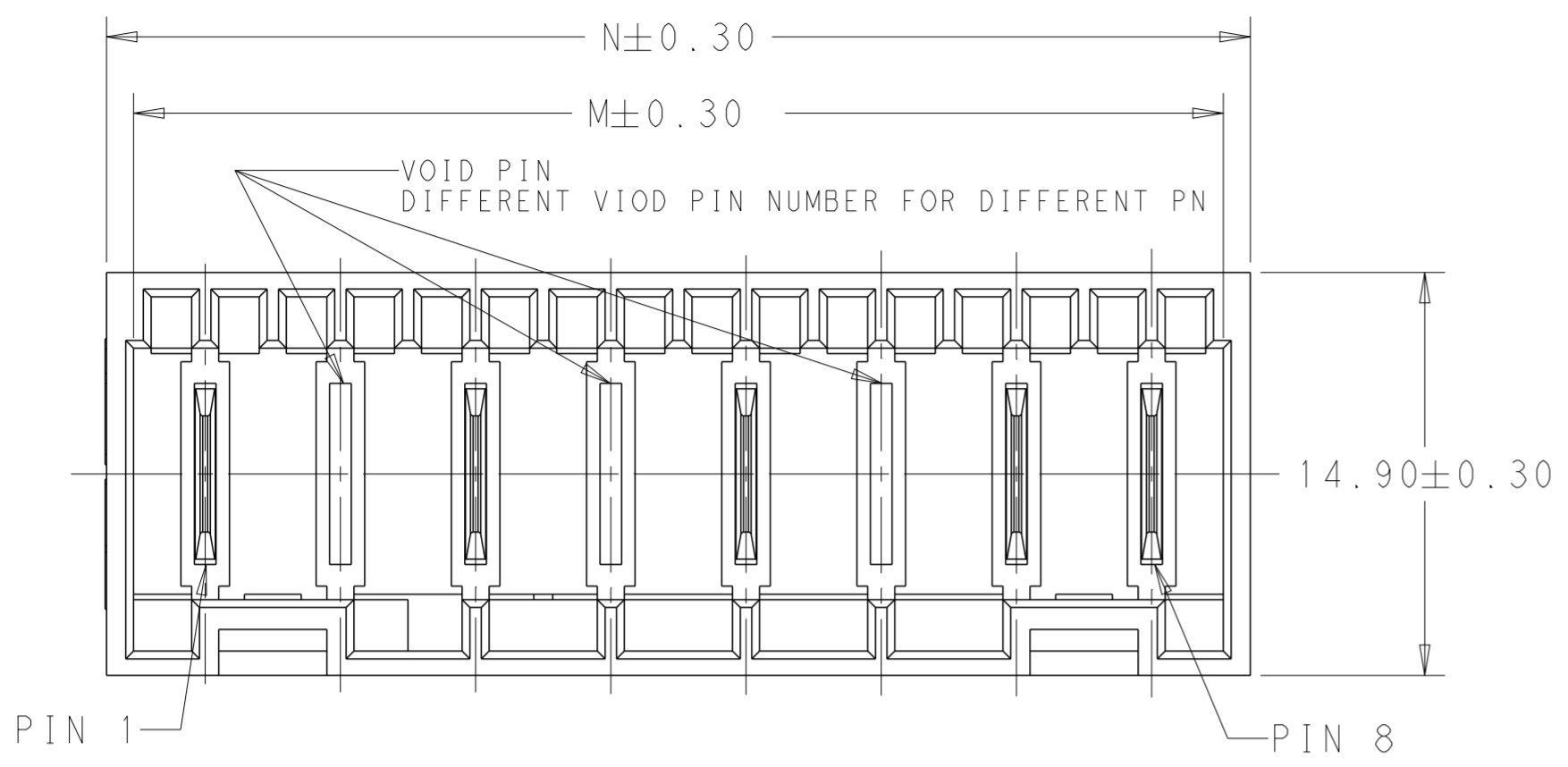
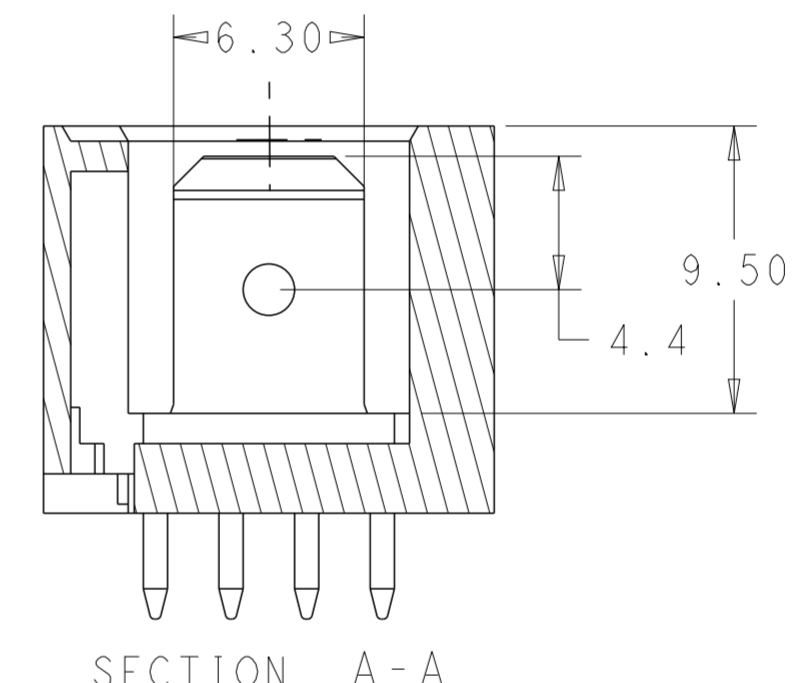
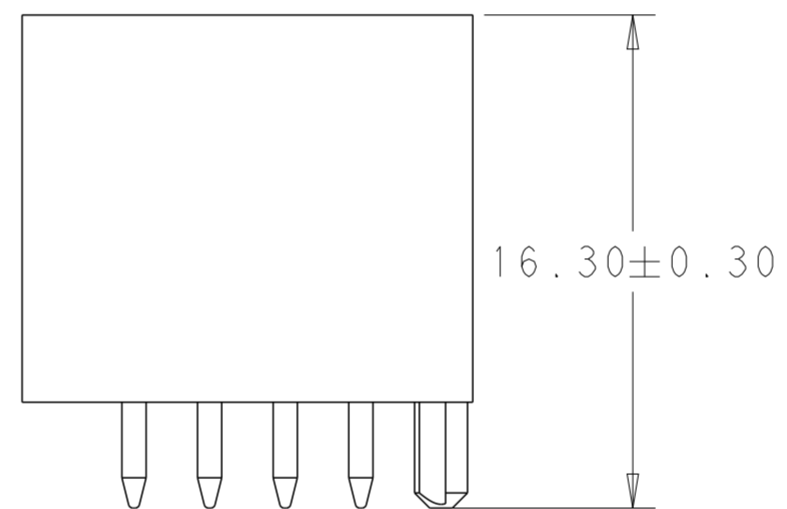
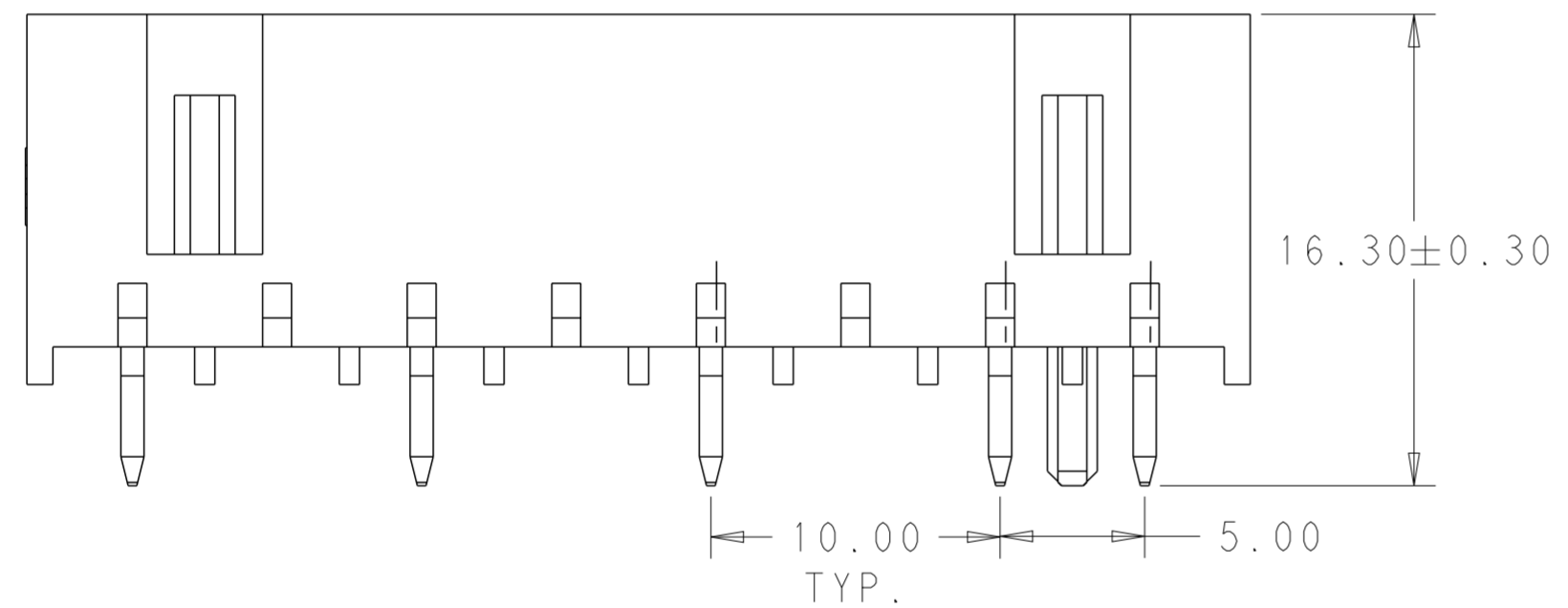


THIS DRAWING IS UNPUBLISHED. RELEASED FOR PUBLICATION 20
 © COPYRIGHT 20 BY - ALL RIGHT REVERSED ALL RIGHTS RESERVED.

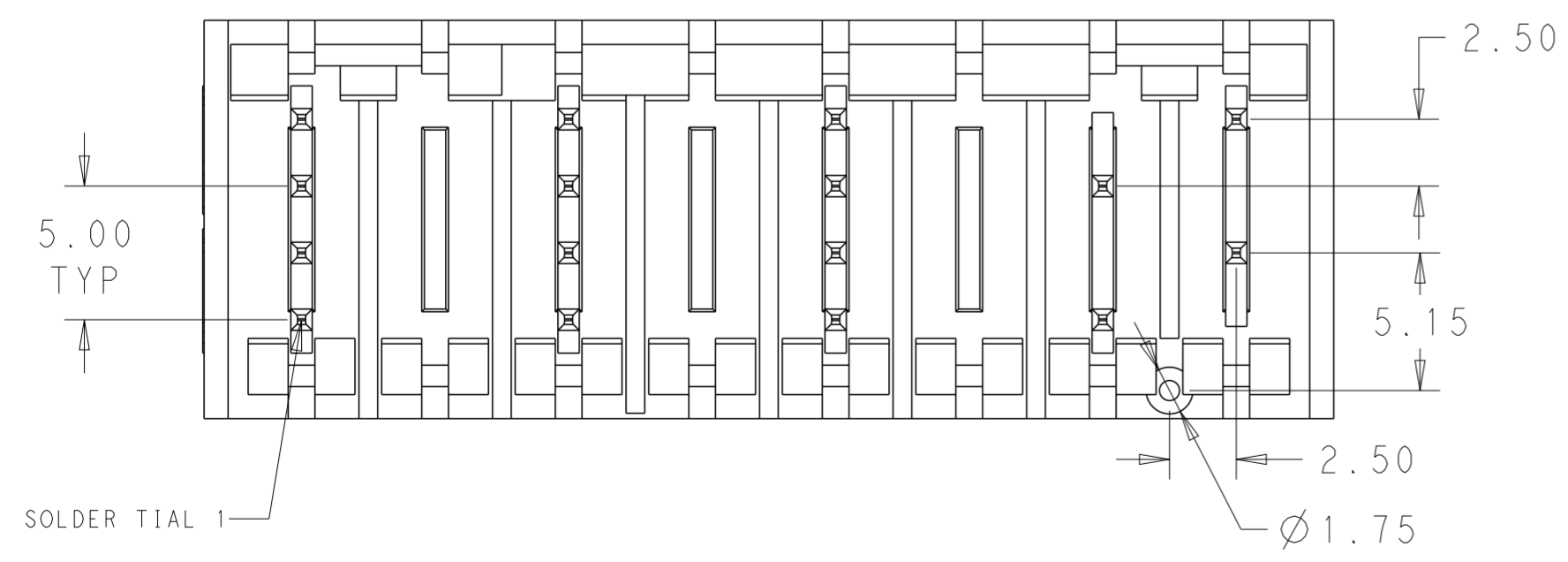
LOC		DIST		REVISIONS			
P	LTR	DESCRIPTION		DATE	DWN	APVD	
	C2	ECR-24-203008		22MAR2024	SM	FL	
	C3	REVISED PER ECR-24-203868		26MAR2024	MV	CD	
	C4	ECR-24-205322		16APR2024	SM	FL	
	C5	ECR-24-211411		17JUN2024	SP	FL	



- HOUSING HAS RAST 5 COMPLIANT KEYING LATCHING, AND POLARIZATION, TAB IS 6.30 x 0.8mm ACCORDING TO DIN 46224
 - MATERIAL: HOUSING NYLON, UL94 V0, 750 °C GWT NO FLAME
 - FINISH: CONTACTS, TIN PLATING OVERALL , NICKEL UNDER-PLATING
 - PACKING: LOOSE PIECE OR TUBE. THE PART NUMBER IN THIS DRAWING ARE WITH LOOSE PIECE PACKING. PLEASE CONTACT TE SALES REPRESENTATIVES FOR TUBE PACKING REQUIREMENT.
- 5 PRELIMINARY, NOT FOR PRODUCTION.
 - 6 MATERIAL: HOUSING PA66,UL94 V0 PRODUCT COMPLY WITH GLOW WIRE REQUIREMENTS FOR PARTS OF NON-METALLIC MATERIAL SUPPORTING A CURRENT-CARRYING CONNECTION DETAILED IN IEC 60335-1, SECTION 30 (GWT).
 - 7 FINISH:CONTACT, SILVER PLATING OVERALL, NICKEL UNDER-PLATING.
 - 8 SPECIAL VERSION: SHORT PEG DESIGN, DETAIL IN SHEET 3
 - 9 PART NUMBER WITH TUBE PACKAGING.



1 TOOL MARK ON TERMINAL SURFACE IS ACCEPTABLE WHICH DOES NOT IMPACT FUNCTION



42.30	40.30	8
37.30	35.30	7
32.30	30.30	6
27.30	25.30	5
22.30	20.30	4
17.30	15.30	3
12.30	10.30	2
N	M	NO.OF POS.

THIS DRAWING IS A CONTROLLED DOCUMENT.

DWN	B.P	APR162013
CHK	F.M	APR162013
APVD	-	APR162013
PRODUCT SPEC	108-106080	
APPLICATION SPEC	-	
WEIGHT	-	
CUSTOMER DRAWING	SCALE 4:1	SHEET 1 OF 4

TE Connectivity

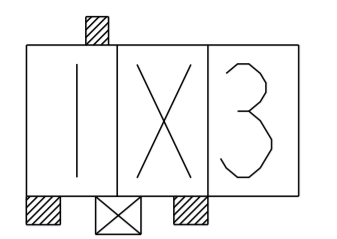
NAME RAST 5 TAB HEADER ASSY
DIN STYLE, TH, VERTICAL

SIZE A2 CAGE CODE 00779 DRAWING NO C-2232511 RESTRICTED TO

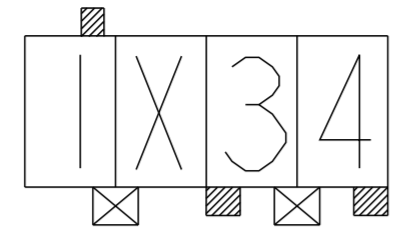
REV C5

THIS DRAWING IS UNPUBLISHED. RELEASED FOR PUBLICATION 20
 © COPYRIGHT 20 BY - ALL RIGHT REVERSED. ALL RIGHTS RESERVED.

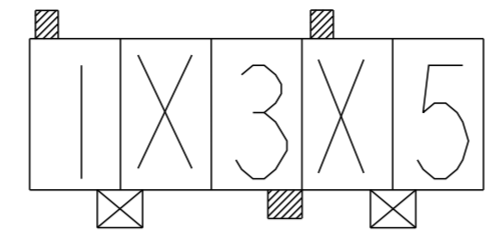
LOC	DIST	REVISIONS				
P	LTR	DESCRIPTION	DATE	DWN	APVD	
-	-	SEE SHEET 1	-	-	-	



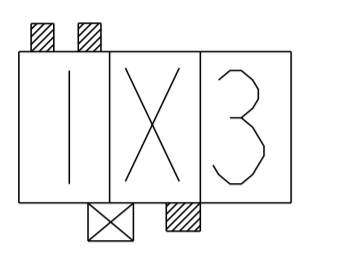
3-2232511-3 Δ 5 Δ 7



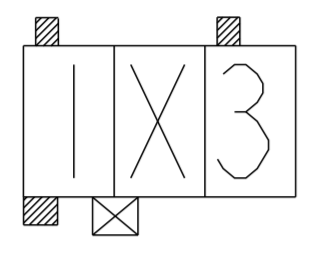
2-2232511-4



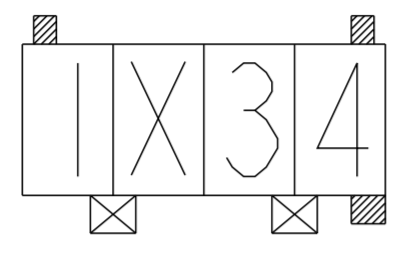
4-2232511-5 Δ 9



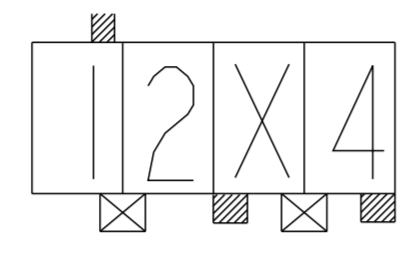
2-2232511-3 Δ 5



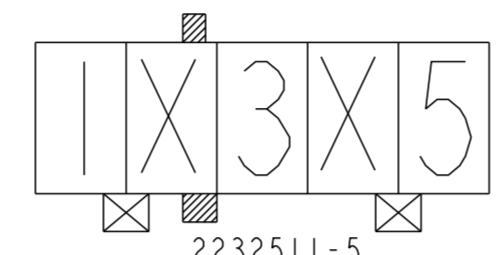
232511-3
 1-2232511-3 Δ 6
 2328608-3 Δ 8



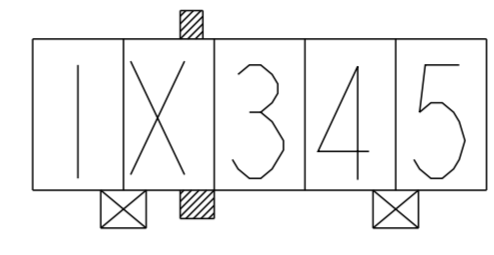
2232511-4



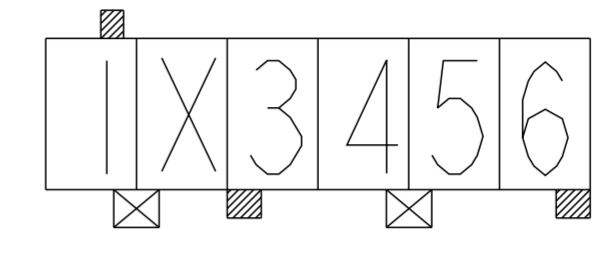
1-2232511-4



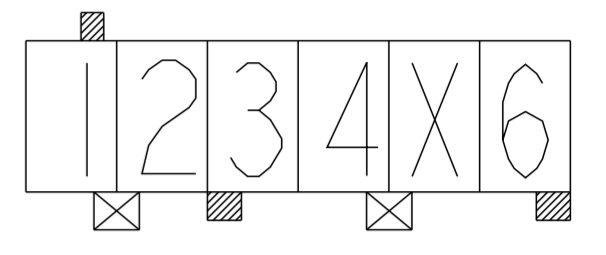
2232511-5
 1-2232511-5 Δ 6



2-2232511-5 Δ 5



2232511-6



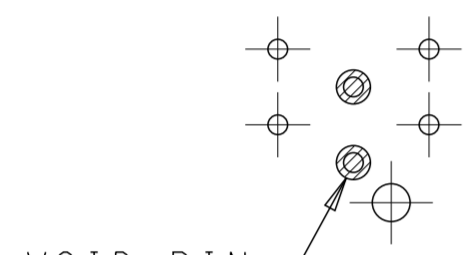
1-2232511-6

3 POS.

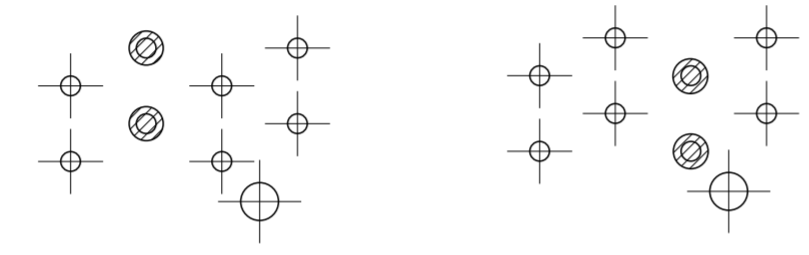
4 POS.

5 POS.

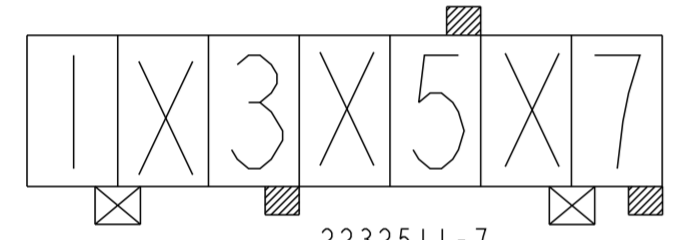
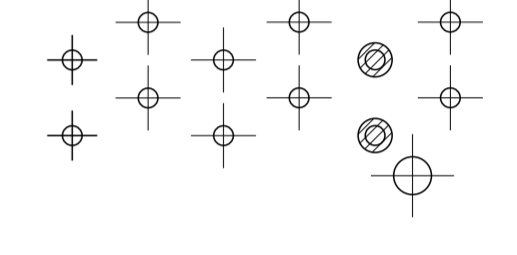
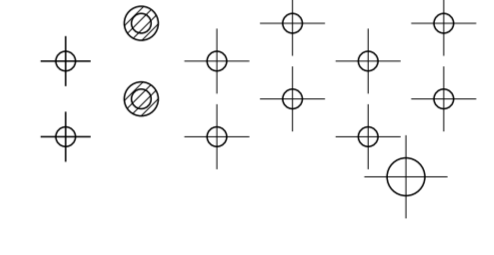
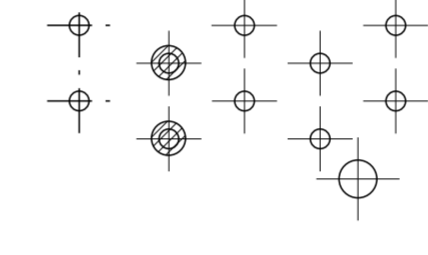
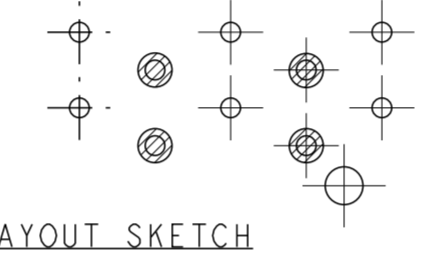
6 POS.



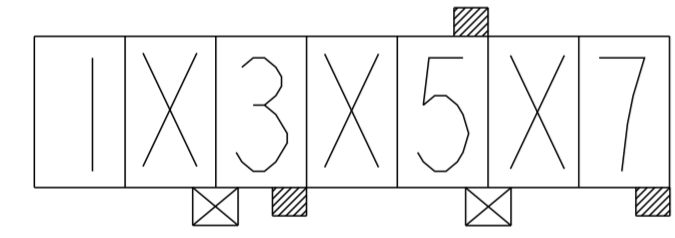
VOID PIN



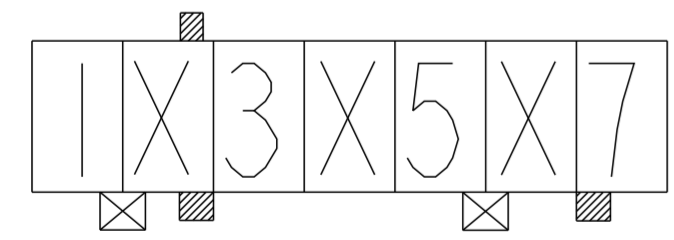
PCB LAYOUT SKETCH
 SOLDER SIDE



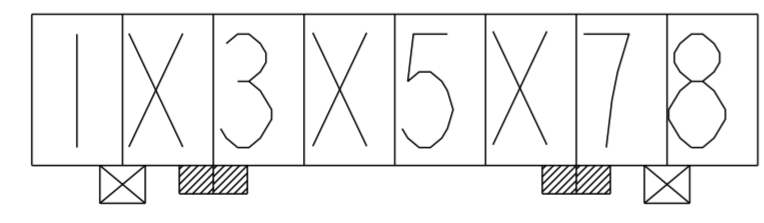
2232511-7
 1-2232511-7 Δ 6
 2328608-7 Δ 8



2-2232511-7 Δ 6



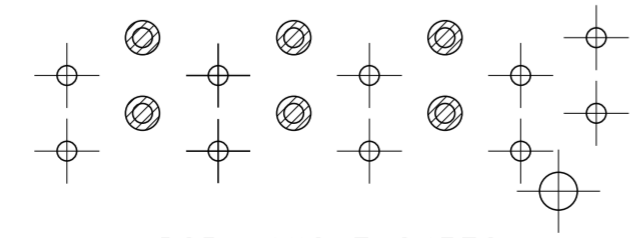
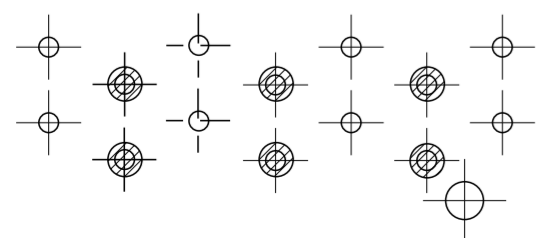
3-2232511-7



2232511-8

7 POS.

8 POS.

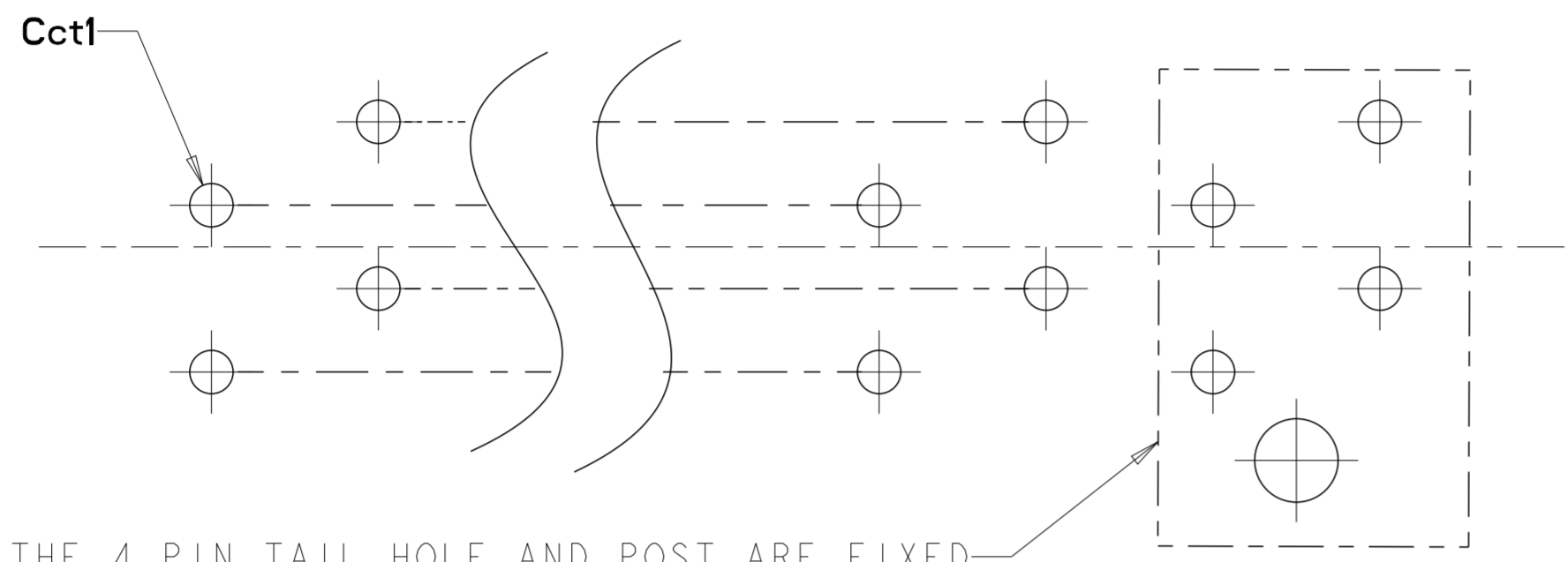


PCB LAYOUT SKETCH
 SOLDER SIDE

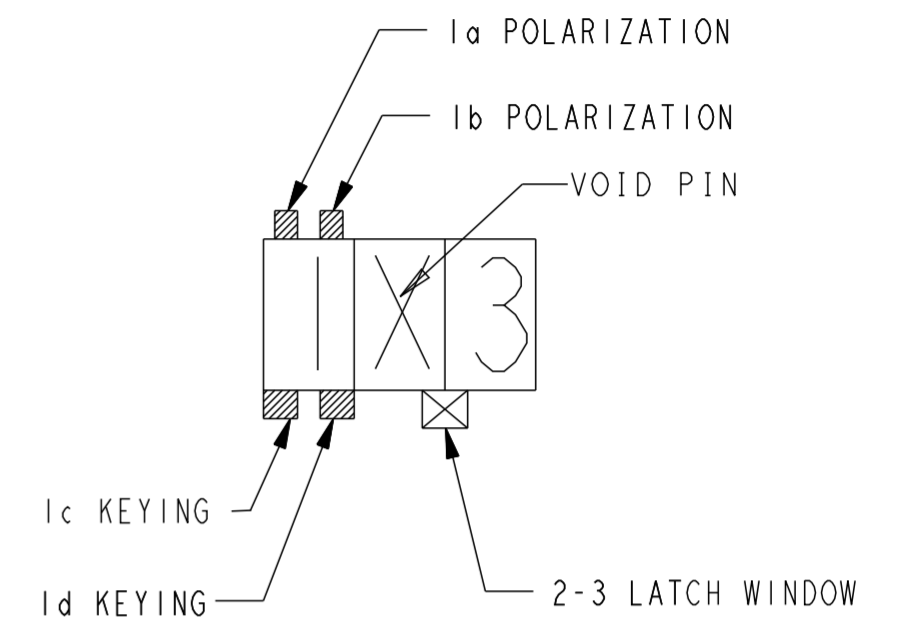
THIS DRAWING IS A CONTROLLED DOCUMENT.		DWN B.P.	APR162013	TE Connectivity	
DIMENSIONS: mm		CHK	24SEP2013		
TOLERANCES UNLESS OTHERWISE SPECIFIED:		APVD	24SEP2013	NAME RAST 5 TAB HEADER ASSY DIN STYLE, TH, VERTICAL	
0 PLC ±		PRODUCT SPEC		SIZE	
1 PLC ±0.5		108-106080		CAGE CODE	
2 PLC ±0.13		APPLICATION SPEC		DRAWING NO	
3 PLC ±0.013		WEIGHT		RESTRICTED TO	
4 PLC ±0.0001		CUSTOMER DRAWING		A200779	
ANGLES ±		SCALE 4:1		SHEET 2 OF 4	
FINISH		REV C5			

THIS DRAWING IS UNPUBLISHED. RELEASED FOR PUBLICATION 20
 © COPYRIGHT 20 BY - ALL RIGHT REVERSED ALL RIGHTS RESERVED.

REVISIONS						
LOC	DIST	P	LTR	DESCRIPTION	DATE	APVD
-	-	-	-	SEE SHEET 1	-	-



THE POSITION OF THE 4 PIN TAIL HOLE AND POST ARE FIXED



PICTORIAL VIEW KEY

RECOMMEND PCB LAYOUT - SOLDER SIDE
 PCB 1.5± 0.2 THICK

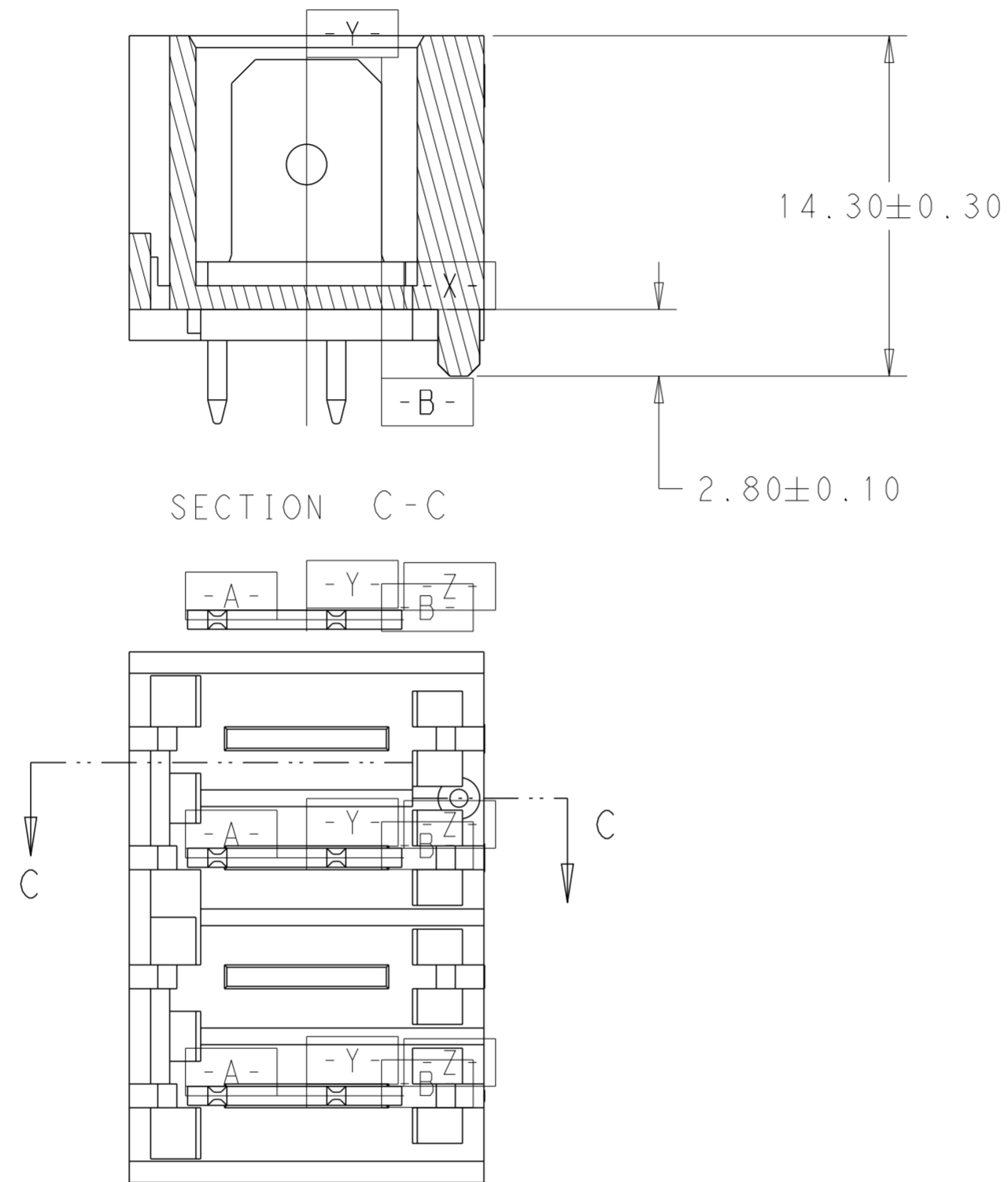
COLOR	NO. OF POS.	PART NUMBER
	8	2232511-8
	7	3-2232511-7
	7	2-2232511-7
	7	1-2232511-7
	7	2232511-7
	6	1-2232511-6
	6	2232511-6 ⁶
	5	4-2232511-5
	5	2-2232511-5 ⁹
	5	1-2232511-5 ⁵
	5	2232511-5 ⁶
	4	2-2232511-4
	4	1-2232511-4
	4	2232511-4 ⁵
	3	3-2232511-3 ⁵ ⁷
	3	2-2232511-3 ⁵
	3	1-2232511-3 ⁶
	3	2232511-3

THIS DRAWING IS A CONTROLLED DOCUMENT.		DWN B.P APR162013	STE TE Connectivity	
		CHK - 24SEP2013		
DIMENSIONS: mm		APVD - 24SEP2013	NAME RAST 5 TAB HEADER ASSY DIN STYLE, TH, VERTICAL	
TOLERANCES UNLESS OTHERWISE SPECIFIED:		PRODUCT SPEC 108-106080	SIZE CAGE CODE DRAWING NO RESTRICTED TO	
0 PLC ±		APPLICATION SPEC -	A200779 C-2232511	
1 PLC ±0.5		WEIGHT -	SCALE 4:1 SHEET 3 OF 4 REV C5	
2 PLC ±0.13		CUSTOMER DRAWING		
3 PLC ±0.013				
4 PLC ±0.0001				
ANGLES ±				
FINISH				

THIS DRAWING IS UNPUBLISHED. RELEASED FOR PUBLICATION 20
 © COPYRIGHT 20 BY - ALL RIGHT REVERSED ALL RIGHTS RESERVED.

LOC	DIST	REVISIONS			
P	LTR	DESCRIPTION	DATE	DWN	APVD
-	-	SEE SHEET 1	-	-	-

△ SPECIAL VERSION: SHORT PEG DESIGN



OTHER DIMENSIONS SEE SHEET 1
 KEYING SEE SHEET 2

NATURE	7	2328608-7
	3	2328608-3
COLOR	NO. OF POS.	△ PART NUMBER

THIS DRAWING IS A CONTROLLED DOCUMENT.		DWN B.P.	APR162013	TE Connectivity
DIMENSIONS: mm		CHK F.M.	APR162013	
		APVD -	APR162013	
TOLERANCES UNLESS OTHERWISE SPECIFIED: 0 PLC ± 1 PLC ±0.5 2 PLC ±0.25 3 PLC ±0.013 4 PLC ±0.0001 ANGLES ± FINISH		PRODUCT SPEC 108-106080	APPLICATION SPEC -	NAME RAST 5 TAB HEADER ASSY DIN STYLE, TH, VERTICAL
MATERIAL -	WEIGHT -	SIZE A200779	CAGE CODE C-2232511	DRAWING NO -
CUSTOMER DRAWING		SCALE 4:1	SHEET 4 OF 4	RESTRICTED TO REV C5