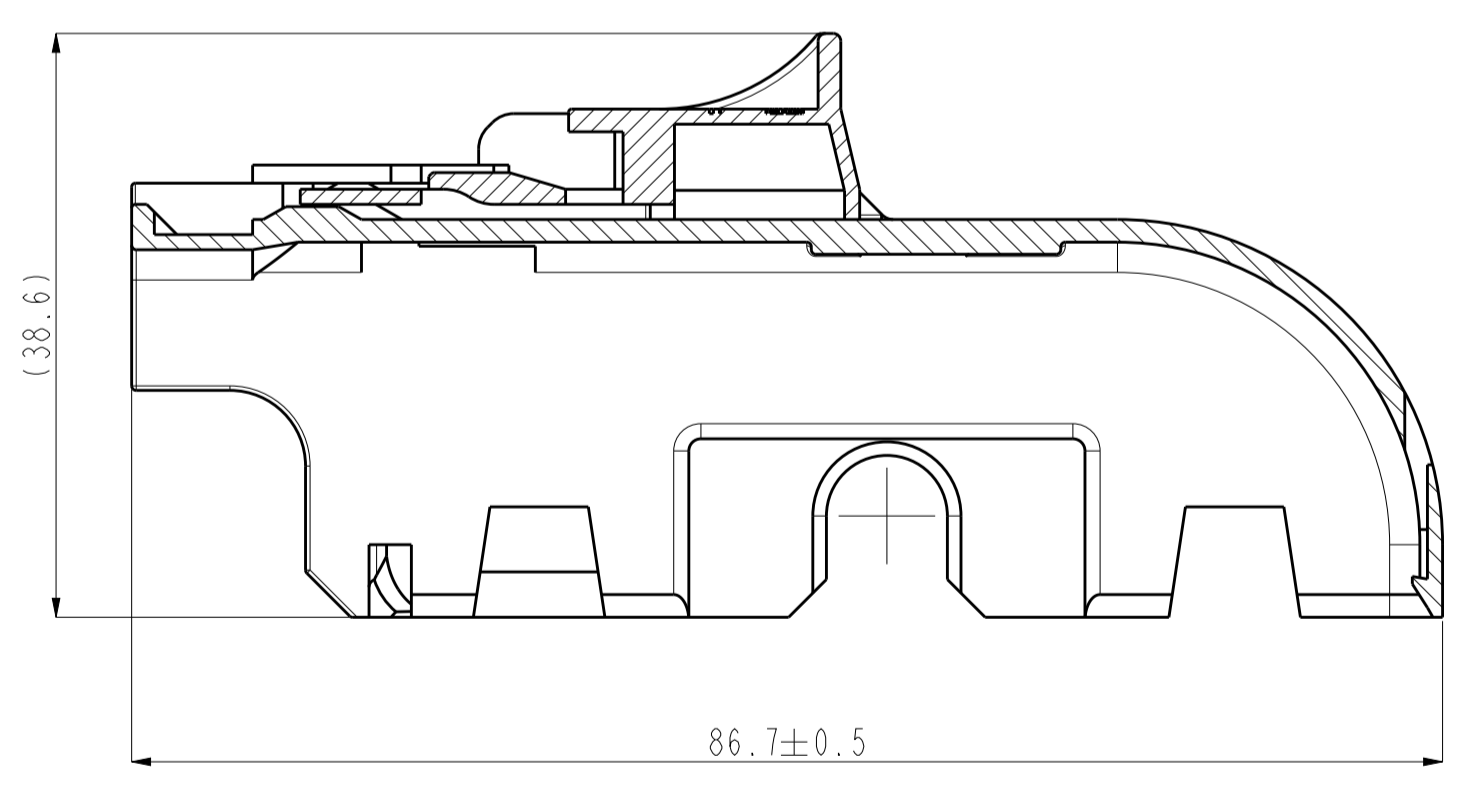
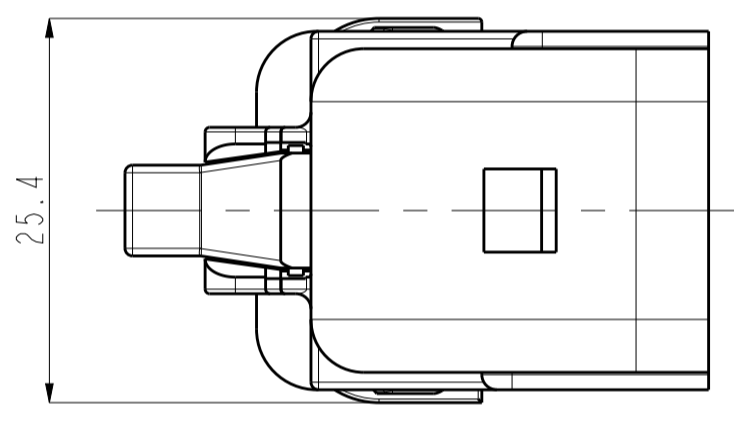
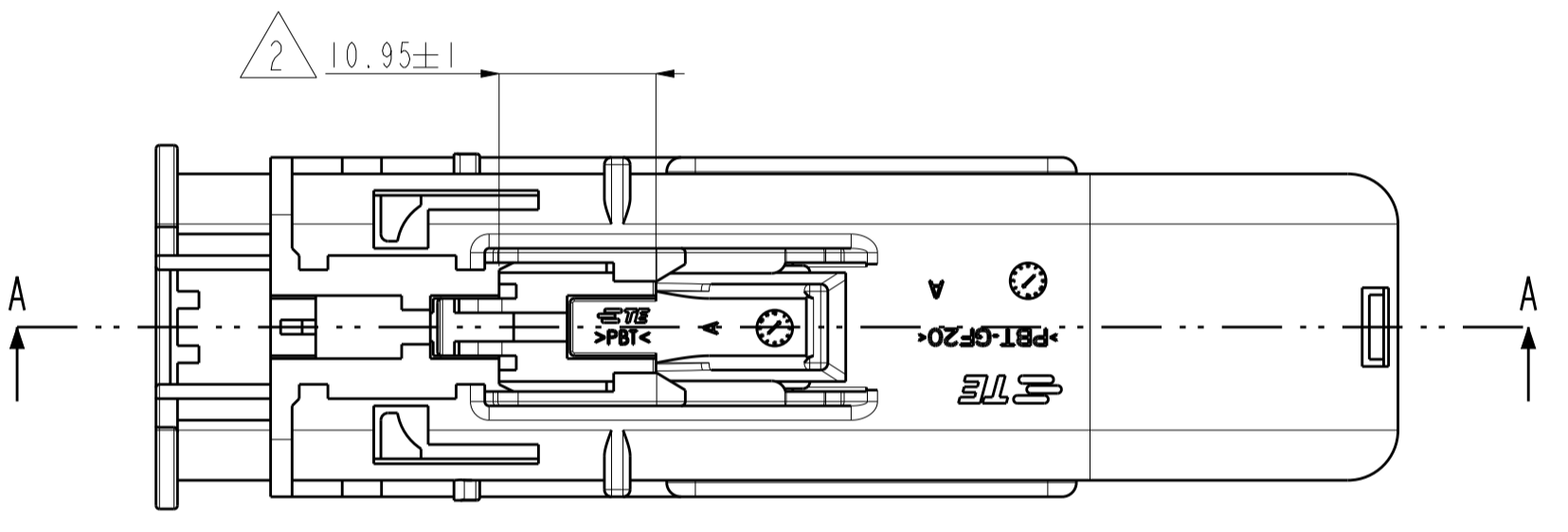
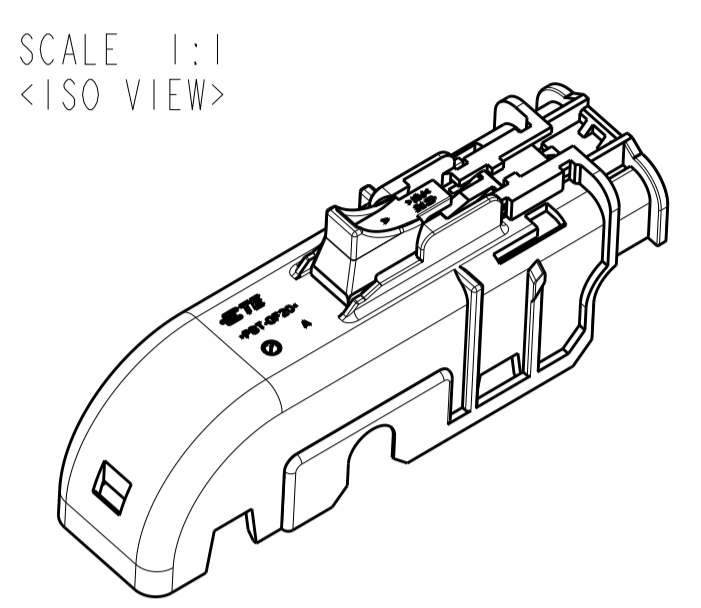
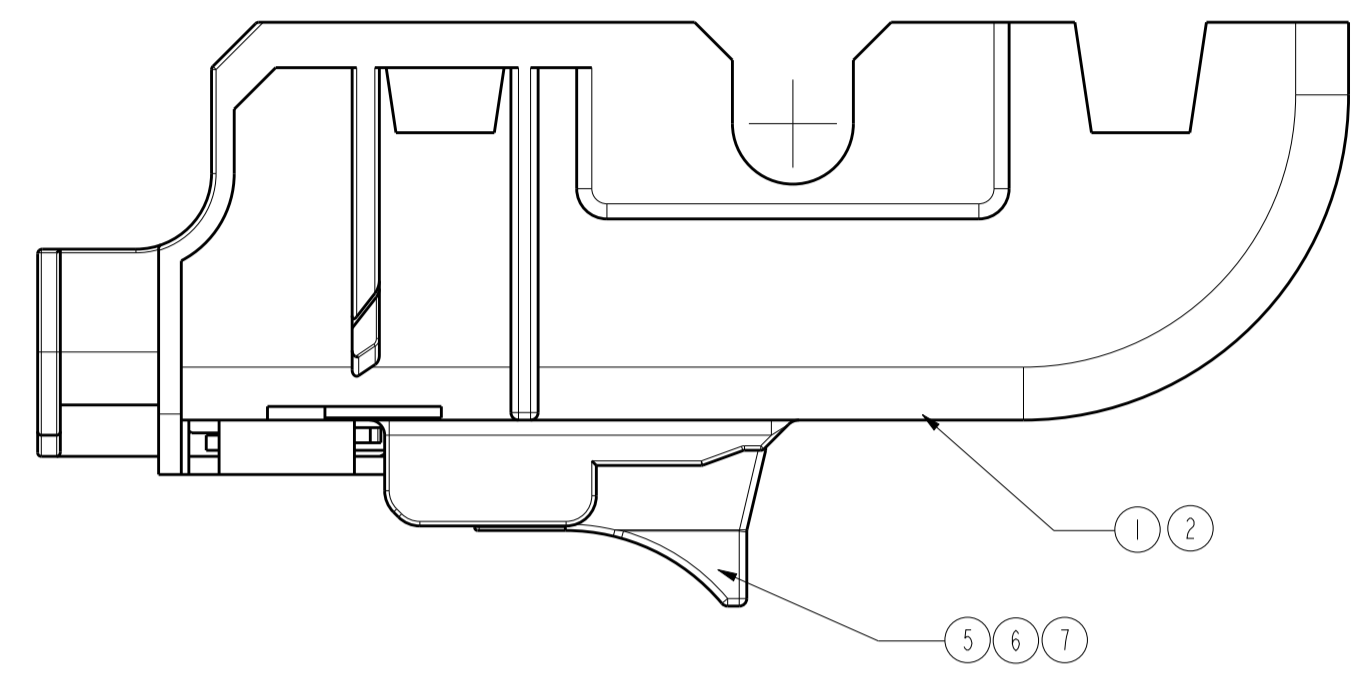
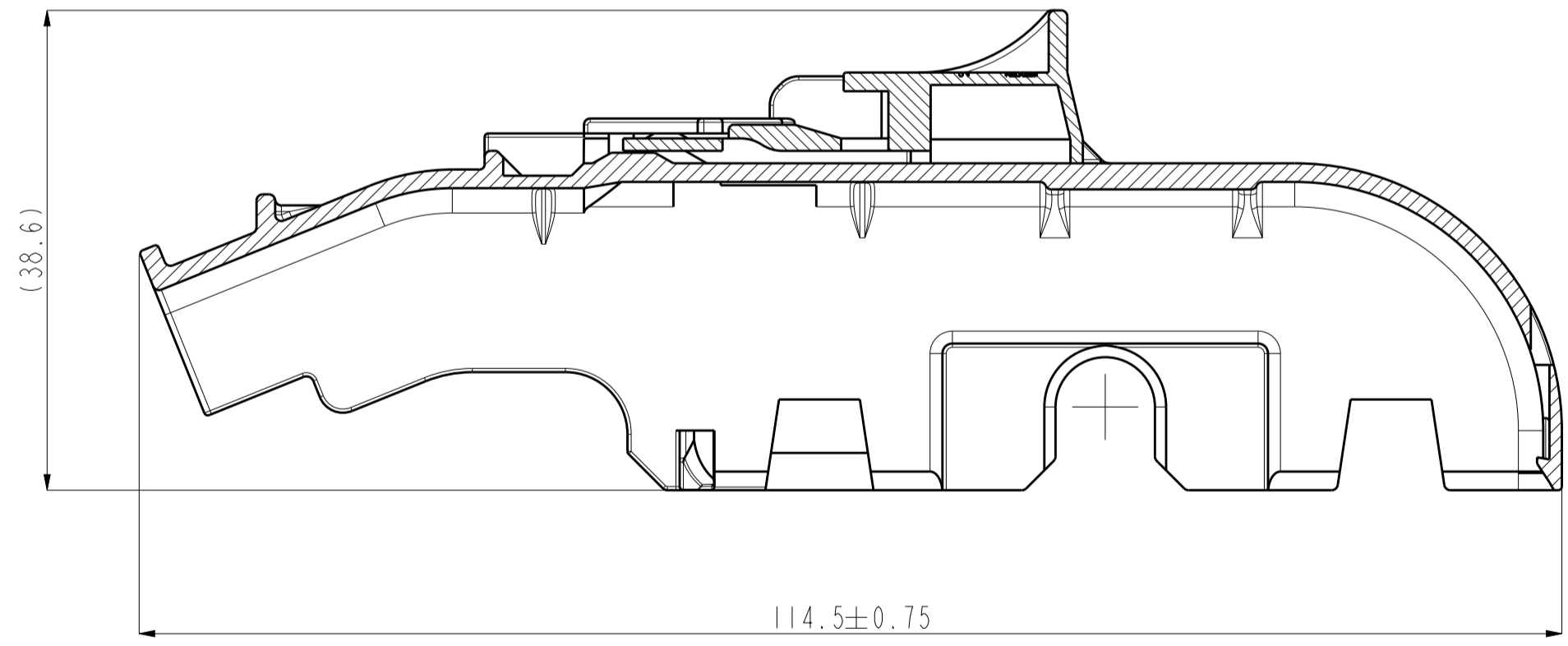
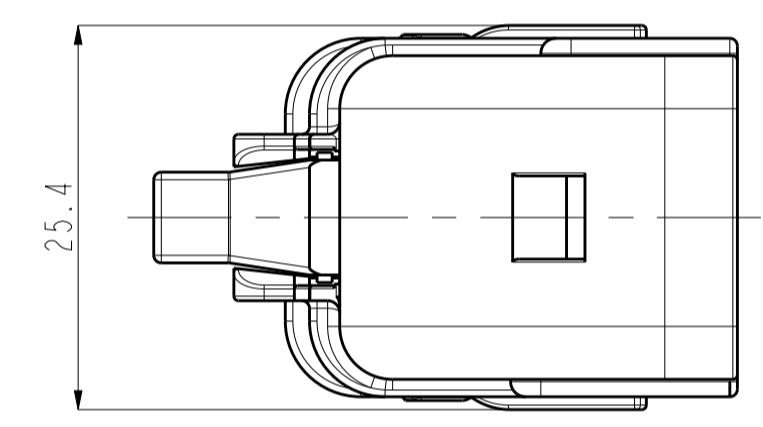
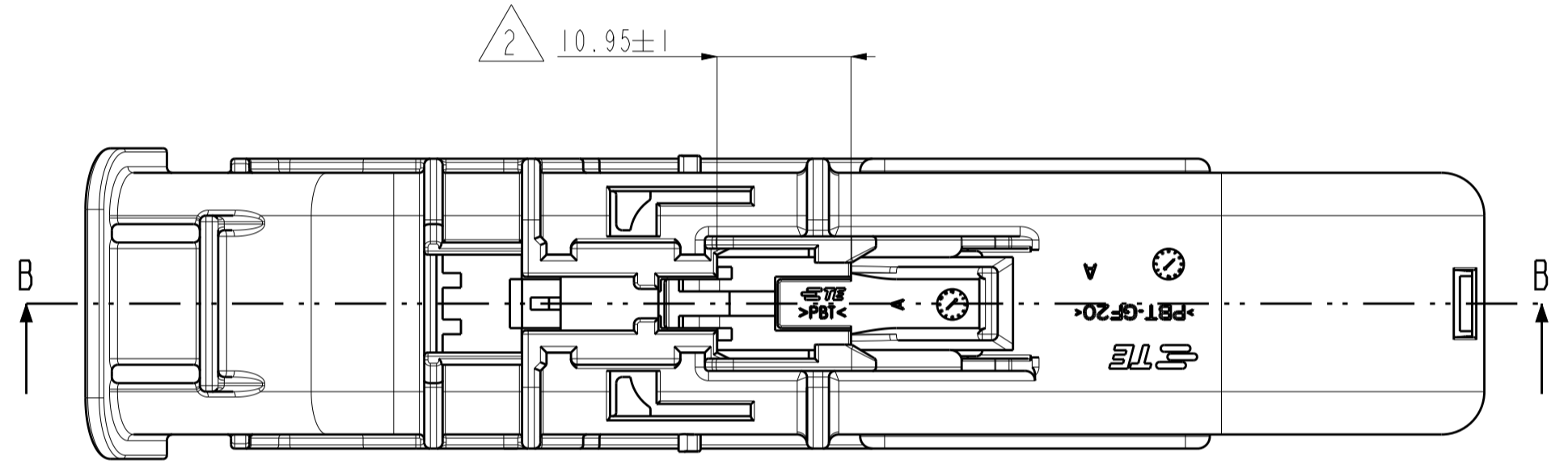
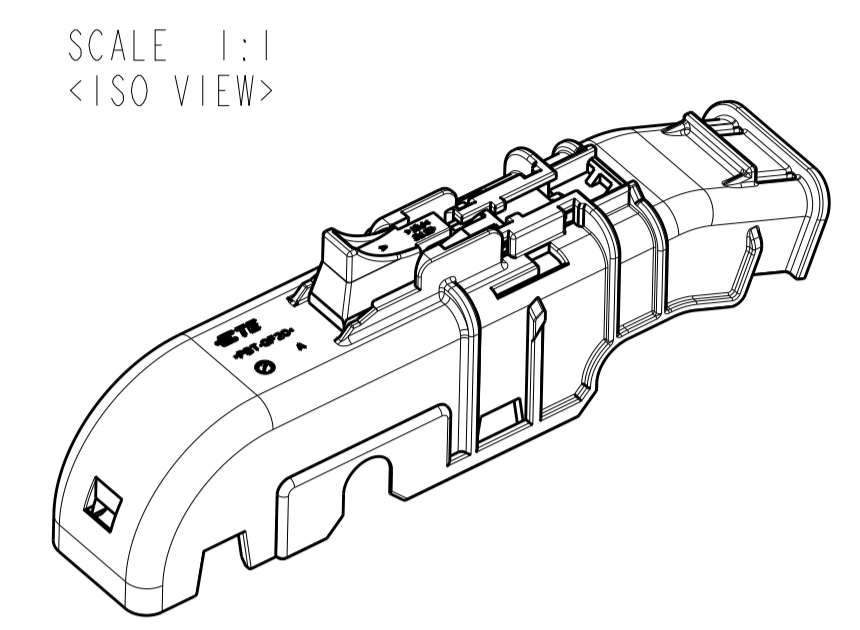
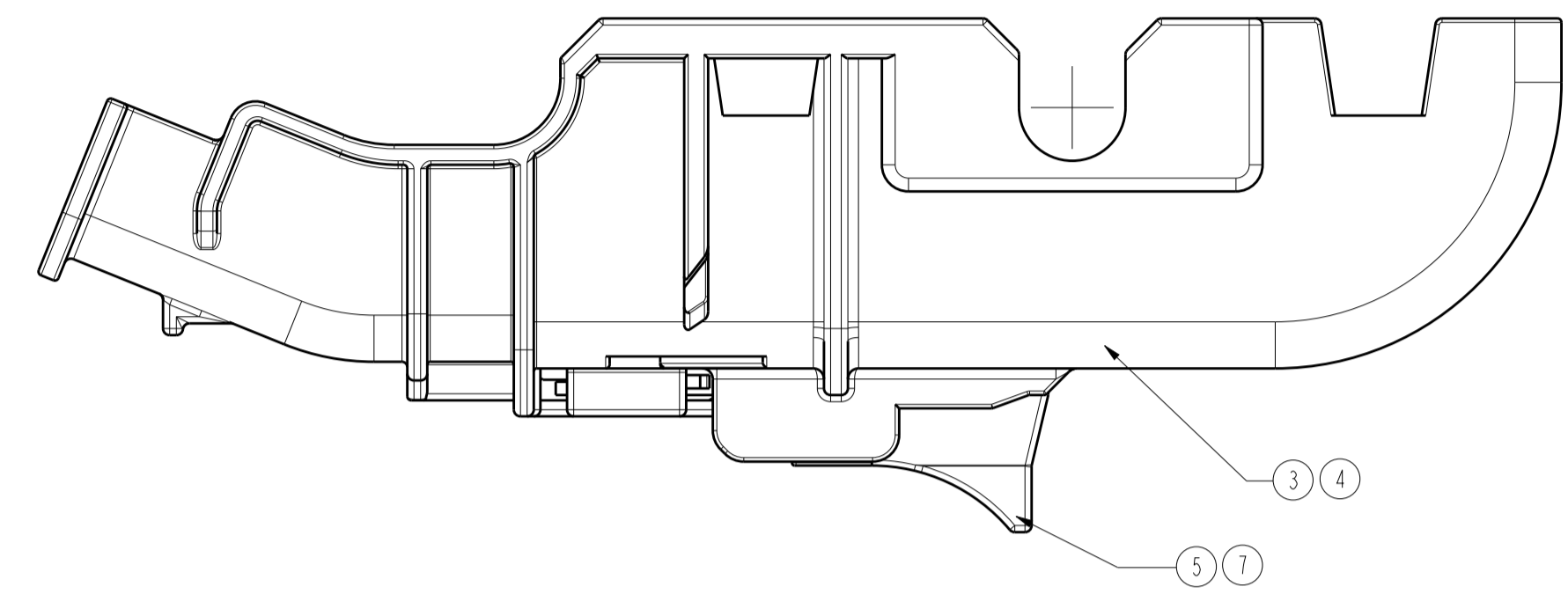


060/110/250
 HYB 38P COVER ASSY TYPE A PN.2219215-X



SECTION A-A

060/110/250
 HYB 38P COVER ASSY TYPE B PN.2-2219215-X



SECTION B-B

REVISIONS				
P.	LTN	DESCRIPTION	DATE	APP'D
B		REVISED (ECR-15-008693)	09.JUN.'15	EW HG
B1		REVISED (ECR-16-003970)	19.MAY.'16	EW KT
B2		REVISED (ECR-17-008059)	03.JUL.'17	EW KT
C		REVISED (ECR-20-001387)	01FEB2020	EW YJ

- NOTES
- GENERAL TOLERANCE : ± 0.3 , $\pm 3^\circ$
 - DELIVERY CONDITION : CPA IN PRE-LOCKED POSITION
 - APPLICABLE PLUG : X-2219210-X HYB SEALED 38POS PLUG ASSY
 - SEE SHEET 2 OF 2 FOR THE WITHOUT CPA TYPE

NO	COLOR/FINISH	MATERIAL	DESCRIPTION	QT'Y	QT'Y	QT'Y	QT'Y	QT'Y	QT'Y
7	BLACK	PBT	CPA FOR HYB 38POS COVER ASSY	-	1	-	-	-	1
6	RED	PBT	CPA FOR HYB 38POS COVER ASSY	-	-	1	-	-	-
5	GRAY	PBT	CPA FOR HYB 38POS COVER ASSY	1	-	-	1	-	-
4	GRAY	PBT-GF20	HYB 38P COVER HSG TYPE B	-	-	-	-	1	-
3	BLACK	PBT-GF20	HYB 38P COVER HSG TYPE B	-	-	-	-	1	-
2	GRAY	PBT-GF20	HYB 38P COVER HSG TYPE A	-	1	-	-	-	-
1	BLACK	PBT-GF20	HYB 38P COVER HSG TYPE A	1	-	1	-	-	-

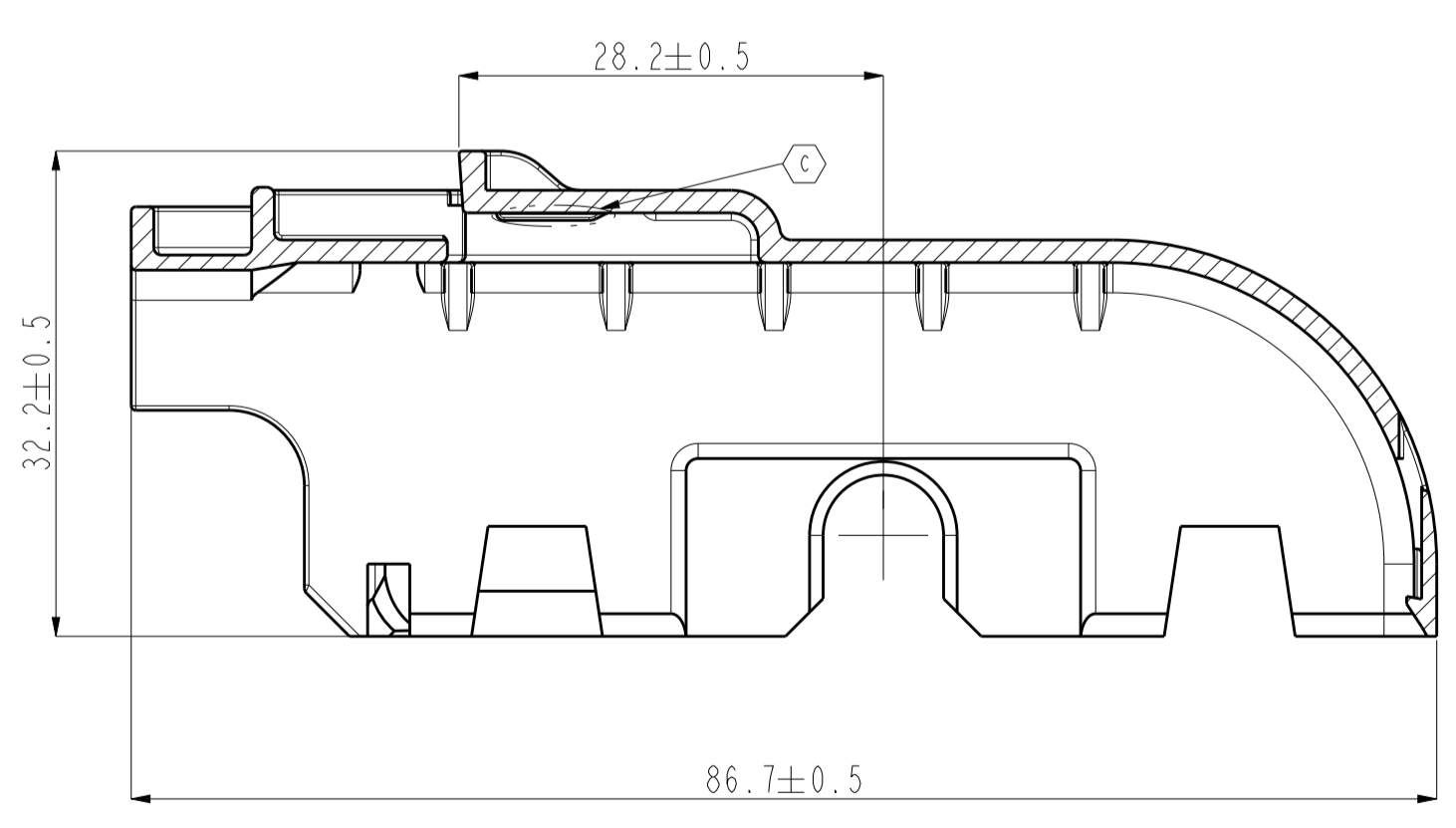
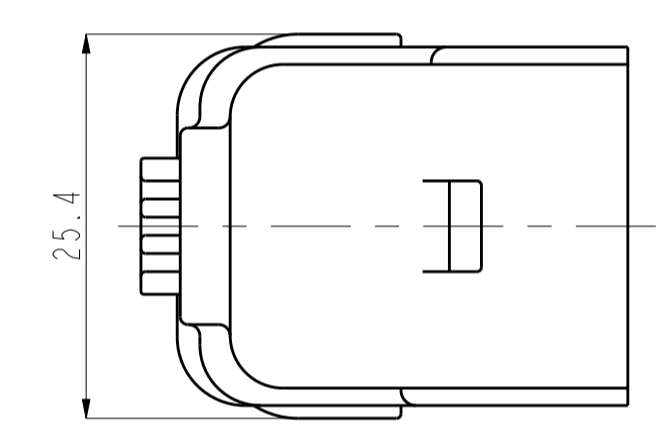
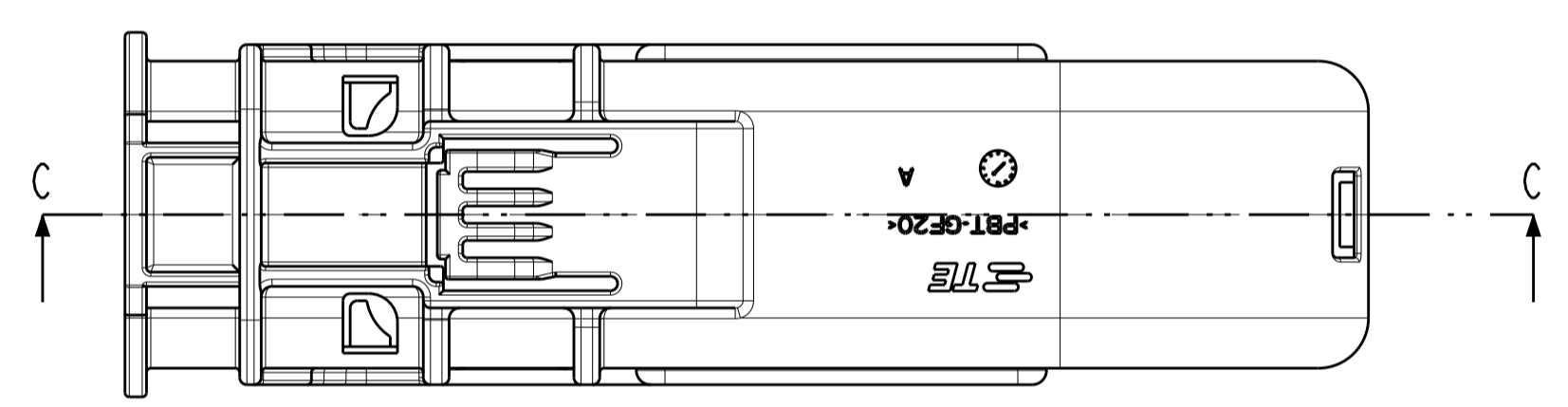
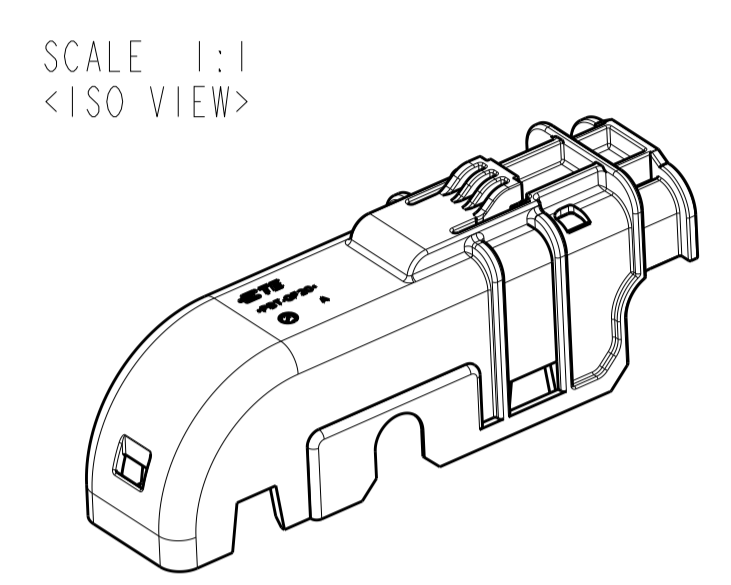
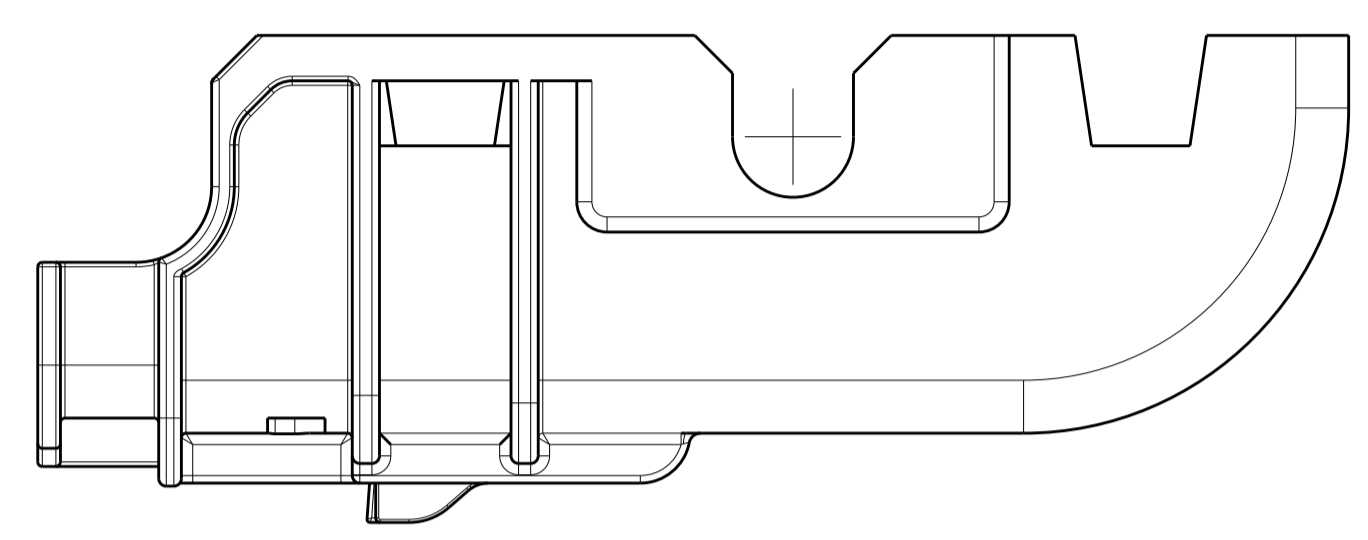
THIS DRAWING IS A CONTROLLED DOCUMENT.

DIMENSIONS:	TOLERANCES UNLESS OTHERWISE SPECIFIED:	0 PLC \pm	1 PLC ± 0.3	2 PLC \pm	3 PLC $\pm 3^\circ$	4 PLC \pm	ANGLES \pm	FINISH \pm
MATERIAL	SEE TABLE	DWN: EW CHUN CHK: YD LEE APVD: KT LIM PRODUCT SPEC: 108-61230 APPLICATION SPEC: WEIGHT: CUSTOMER DRAWING						

STE TE Connectivity
 NAME: HYB SEALED 38POS COVER ASSEMBLY
 SIZE: A1 CAGE CODE: DRAWING NO: 2219215
 SCALE: 2:1 SHEET 1 OF 2 REV C

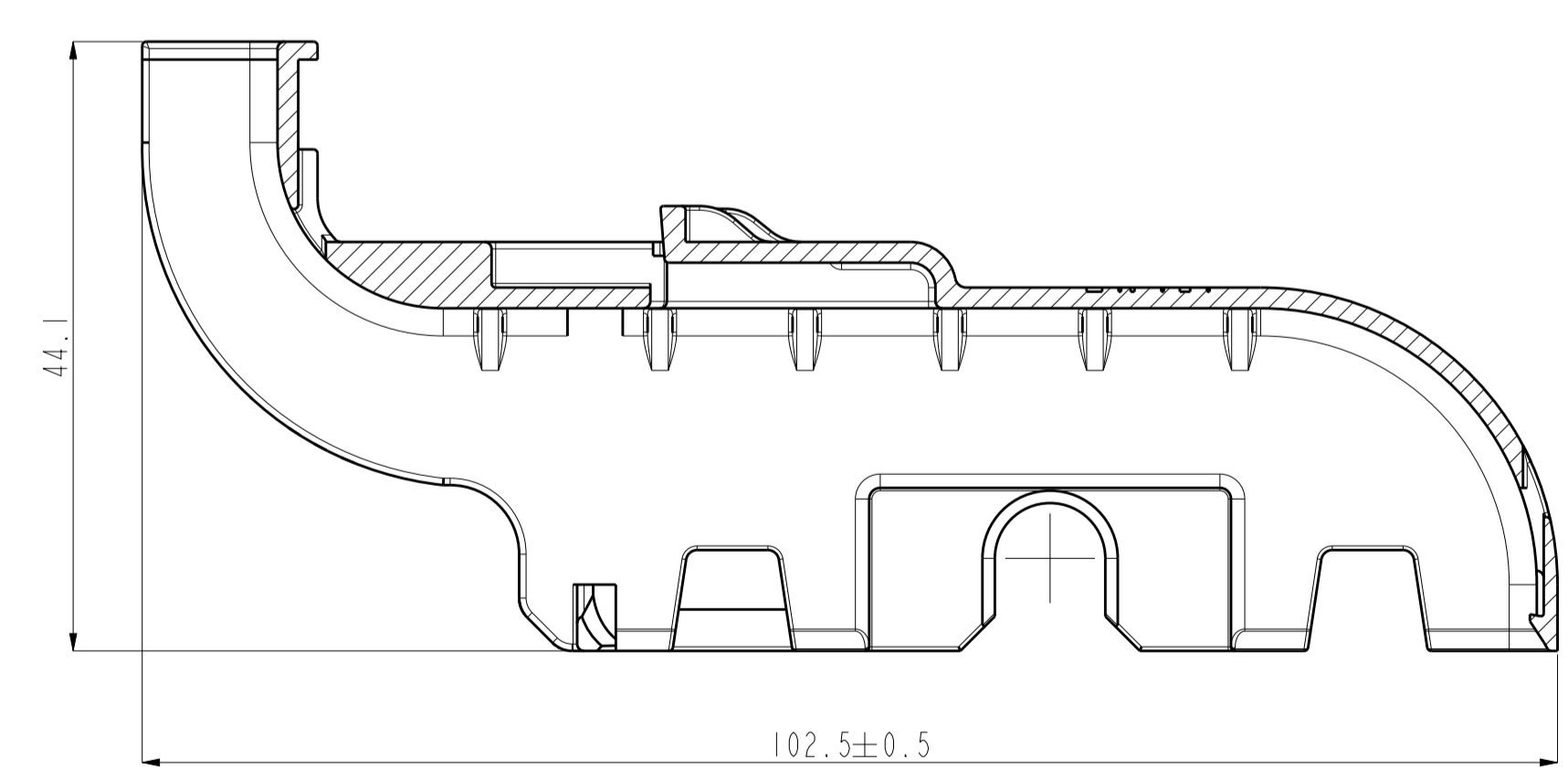
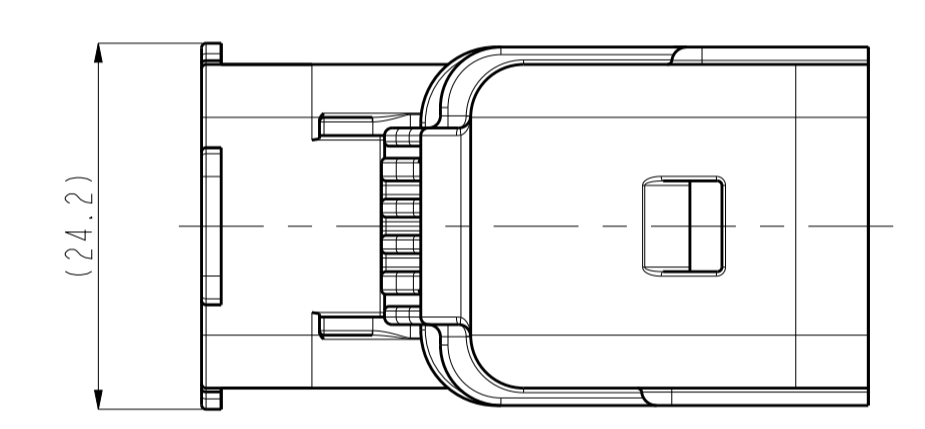
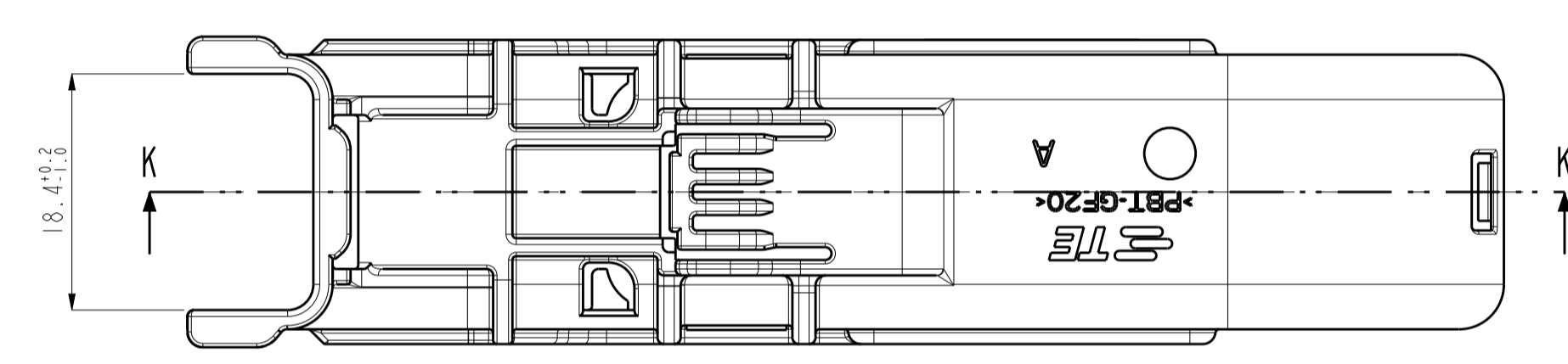
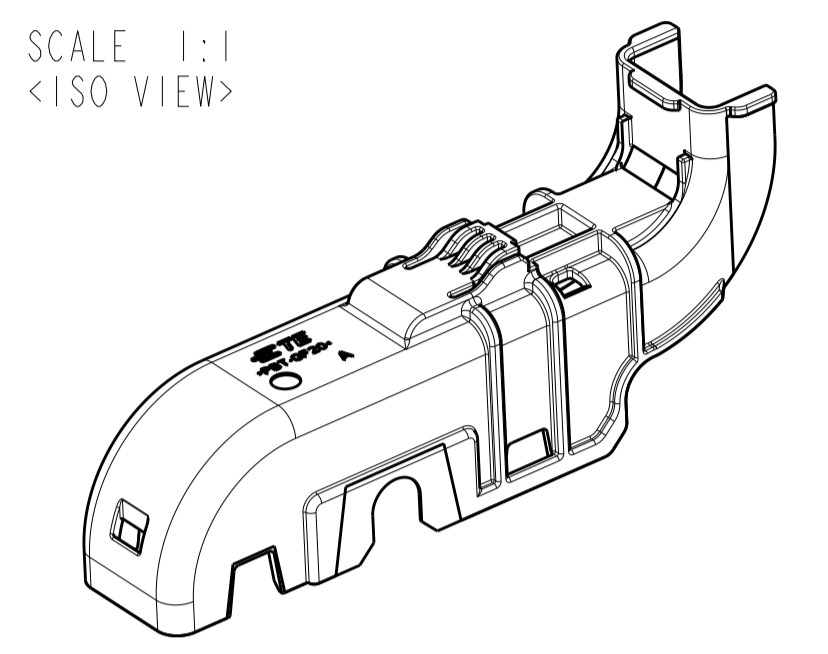
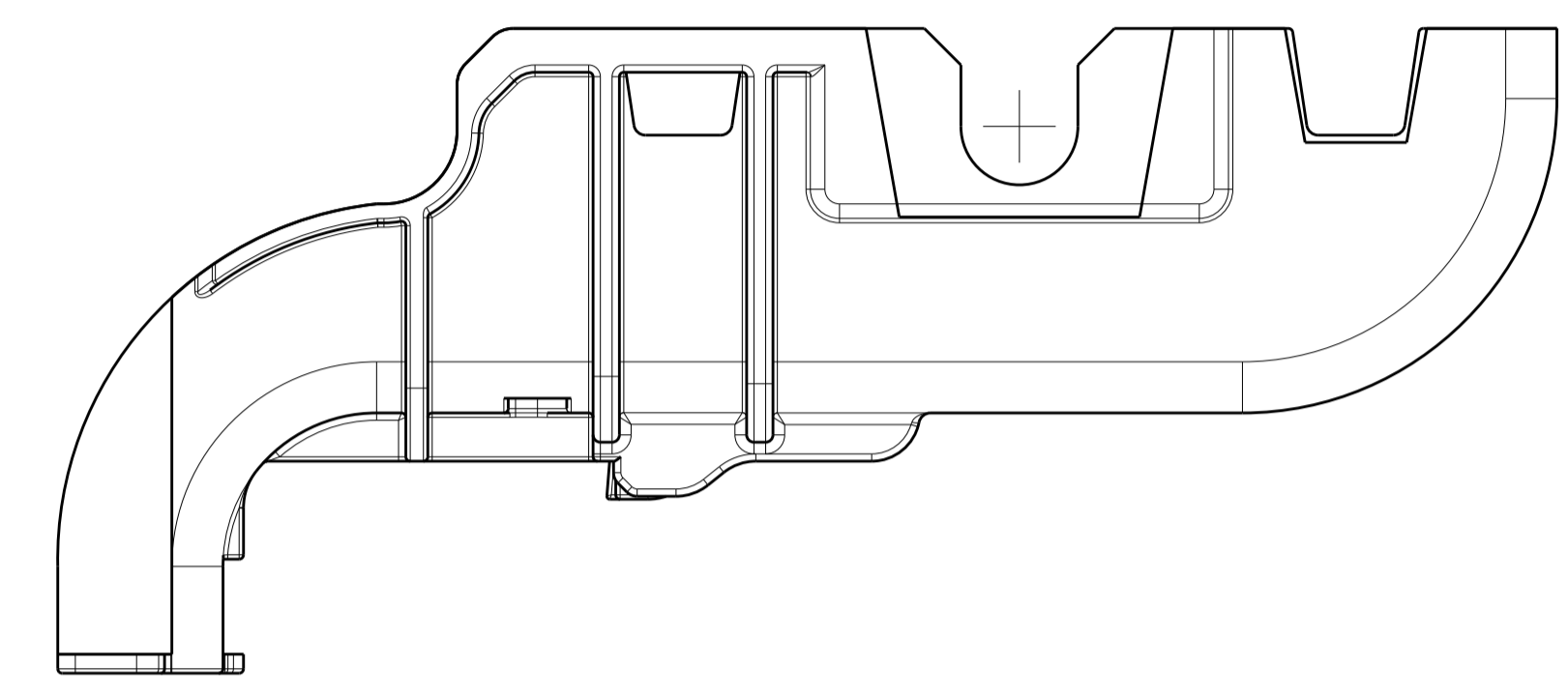
REVISIONS				
P.	LTM	DESCRIPTION	DATE	APVD
-	-	SEE SHEET 1	-	-

060/110/250
 HYB 38P COVER W/O CPA "H" TYPE PN.1-2219215-X



SECTION C-C

B2 060/110/250
 HYB 38P COVER W/O CPA "L" TYPE PN.3-2219215-2



SECTION K-K

NO	COLOR/FINISH	MATERIAL	DESCRIPTION	PART NO
3	BLACK	PBT-GF20	38P COVER HSG W/O CPA "L" TYPE	3-2219215-2
2	GRAY	PBT-GF20	38P COVER HSG W/O CPA "H" TYPE	1-2219215-3
1	BLACK	PBT-GF20	38P COVER HSG W/O CPA "H" TYPE	1-2219215-2

THIS DRAWING IS A CONTROLLED DOCUMENT. CHK APVD SEE SHEET 1

DIMENSIONS:	TOLERANCES UNLESS OTHERWISE SPECIFIED	CHK	APVD
mm	0 PLC ±		
	1 PLC ±		
	2 PLC ±		
	3 PLC ±		
	4 PLC ±		
	MOLDS ±		
MATERIAL	FINISH	PRODUCT SPEC	NAME
SEE TABLE		108-61230	HYB SEALED 38POS COVER ASSEMBLY
		APPLICATION SPEC	SIZE CAGE CODE DRAWING NO
			A1 - C=2219215
		WEIGHT	RESTRICTED TO
		CUSTOMER DRAWING	SCALE 1:1 SHEET 2 OF 2 REV C