

REVISIONS					
P	LTR	DESCRIPTION	DATE	DWN	APVD
	A	CORRECT A CLERICAL ERROR	05JUL2016	AL	SZ
	A1	ADD NOTES	07JUL2017	AL	SZ

MOUNTING BOARD (REF.)

MOUNTING BOARD (REF.) WASHER (REF.)

LOW HEAD SCREW #6-32 RECOMMENDED

PLUGGABLE CONNECTOR 2204080-1

PLUGGABLE CONNECTOR 2204080-1

FULL RADIUS OR GRADUAL TAPER

BUS BAR PLUG

4 INSERT BUS BAR MUST BE SILVER PLATED AT CONTACT AREA

3±0.1 BUS BAR THICKNESS

∅3.78±0.1 TYP.

∅2.5<sup>+0.1</sup><sub>0</sub> TYP.

9.525±0.05

7.925±0.05

RECOMMENDED MOUNTING BOARD LAYOUT

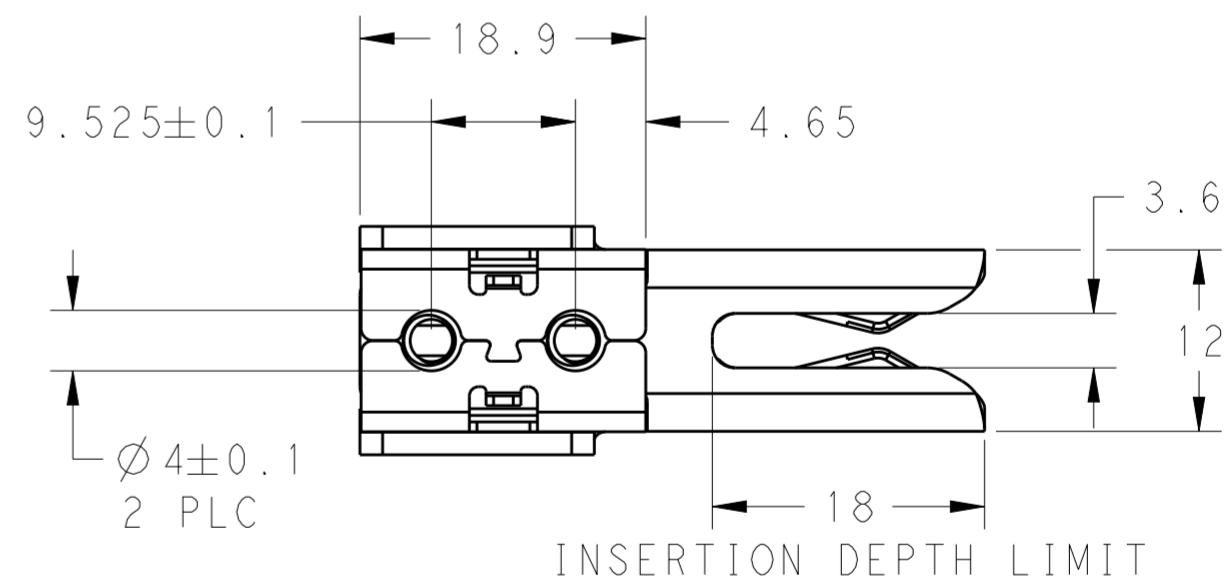
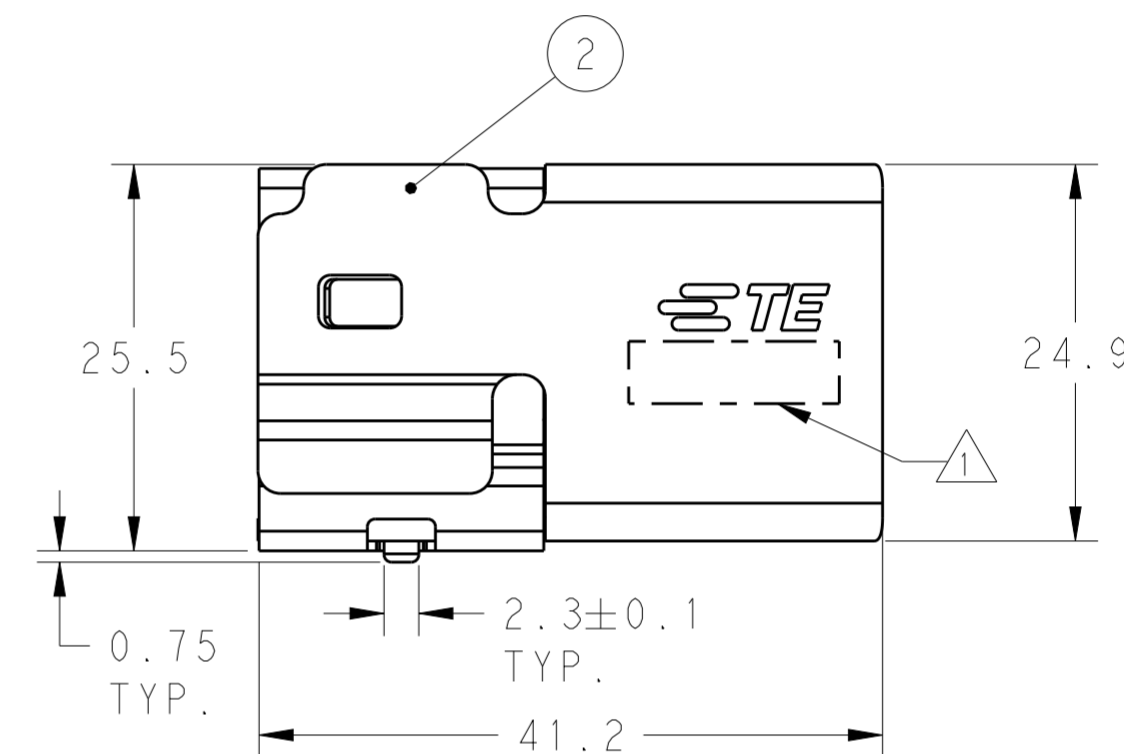
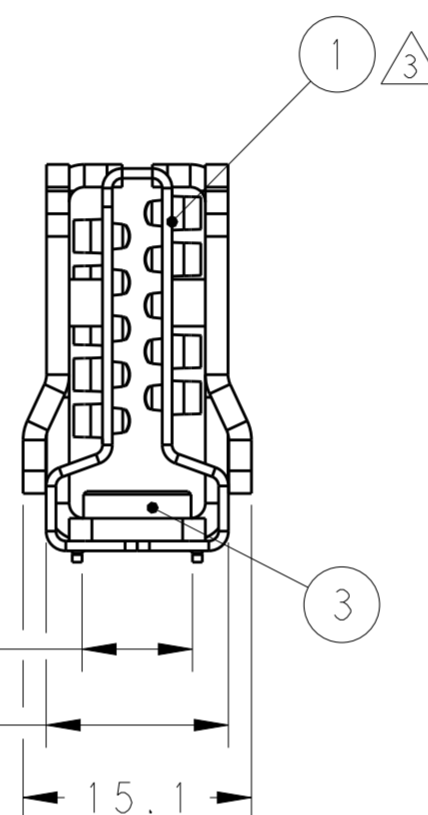
3.9 REF

6.4 MAX. THE HEIGHT OF MOUNTING SCREW #6-32 FROM THE TOP OF MOUNTING BOARD

3 REF MOUNTING BOARD THICKNESS

NOTES:

- 1 PART NUMBER AND DATACODE TO BE MARKED IN AREA SHOWN
- 2 MATERIAL: SHOWN IN BOM LIST
- 3 CONTACT PLATING: SILVER PLATING ON CONTACT FUNCTIONAL AREA
- 4 BUS BAR MUST BE SILVER PLATING ON CONTACT AREA



PART NUMBER	ITEMS	DESCRIPTION	MATERIAL	Q'TY	FINISH
2204080-1 2	3	CLINCHING NUT #6-32 THREAD	STAINLESS STEEL	2	-
	2	PLATE	STAINLESS STEEL	1	-
	1	SPRING CONTACT	COPPER ALLOY	1	SILVER

THIS DRAWING IS A CONTROLLED DOCUMENT.		DWN GARY.G 12-JAN-2013	<b>STE</b> TE Connectivity		
DIMENSIONS: mm		CHK ANDY.L 12-JAN-2013			
TOLERANCES UNLESS OTHERWISE SPECIFIED:		APVD MARTIN.V 12-JAN-2013	NAME PLUGGABLE CONNECTOR FOR 3.0MM THICKNESS BUS-BAR		
0 PLC ±0.2		PRODUCT SPEC 108-128012	SIZE CAGE CODE DRAWING NO RESTRICTED TO		
1 PLC ±0.2		APPLICATION SPEC 114-2130	A2 - C-2204080		
2 PLC ±0.2		WEIGHT 33.78	SCALE 1:1 SHEET 1 OF 1 REV A1		
3 PLC ±		CUSTOMER DRAWING			
4 PLC ±					
ANGLES ±					
FINISH SEE TABLE					