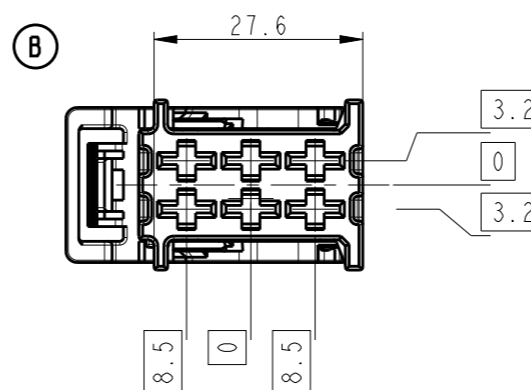
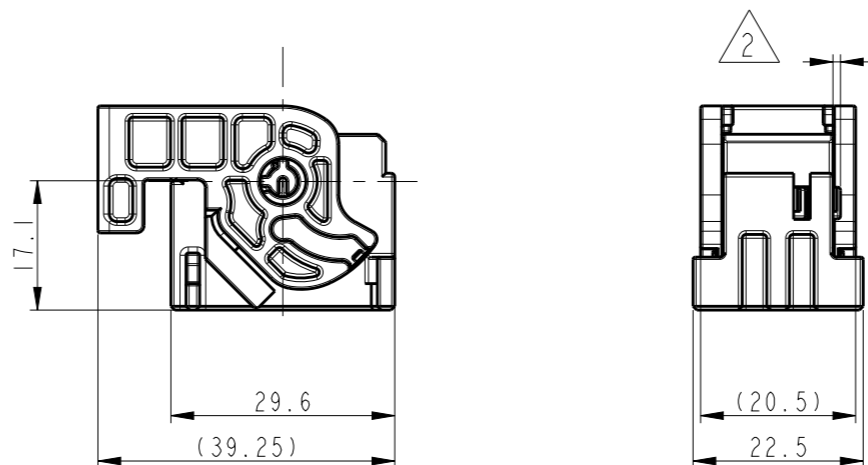
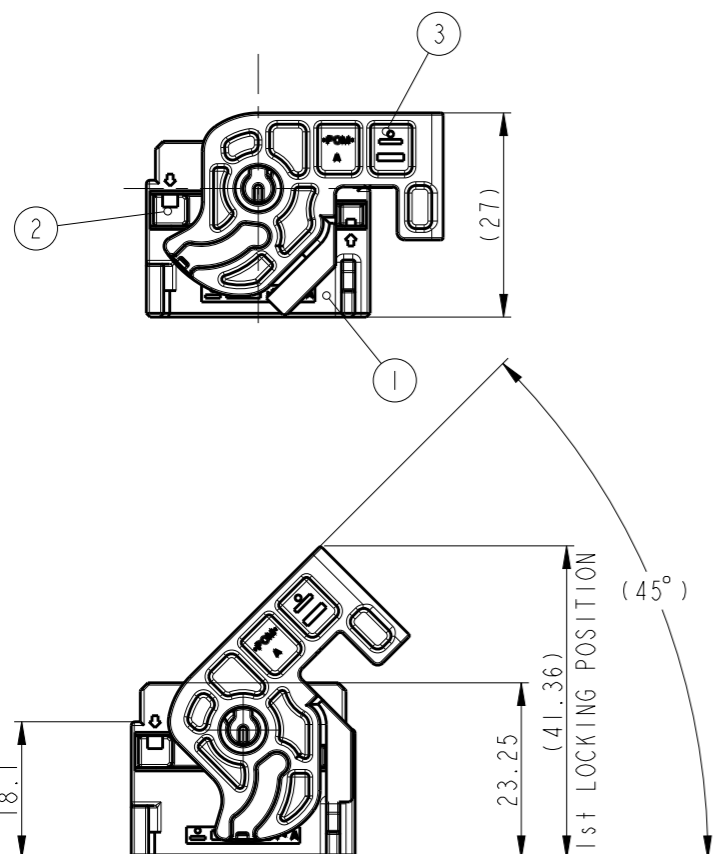
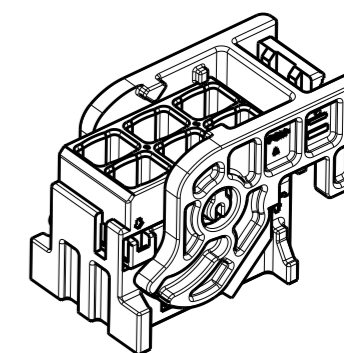
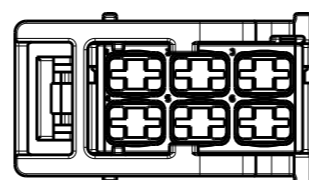


REVISIONS

P	LTR	DESCRIPTION	DATE	DWN	APVD
B		REVISED(ECR-16-005736)	07.APR.'16	WY	KT

<TABLE I>

TYPE	P/N	SQ(mm ²)	INSULATION DIAMETER(mm)	PLATING	PIN NO.
.250	1241402-1	0.5~1.0	1.4~2.1	PRE-TIN	1~6
	1241404-1	>1.0~2.5	2.2~3.0		
	1241406-1	>2.5~4.0	3.5~4.5		
	1241408-1	>4.0~6.0	4.0~4.3		



NOTE
 1. GENERAL TOLERANCE: ±0.2, ±3°
 2. CONDITION OF DELIVERY
 DBL IN 1st LOCKING POSITION
 LEVER IN 2nd LOCKING POSITION
 3. APPLICABLE RECEPTACLE CONTACT P/N: <TABLE I>

Part Number	
1-2188405-2	0-2188405-2

NO	COLOR	MATERIAL	DESCRIPTION	Q'TY	ASSY P/N
3	GRAY	POM	250(MCP 6.3) 6P PLUG LEVER HSG	1	-
			250(MCP 6.3) 6P PLUG LEVER HSG for TL	-	1
2	NATURAL	PBT	250(MCP 6.3) 6P PLUG DBL HSG	1	1
1	BLACK	PBT	250(MCP 6.3) 6P PLUG HSG	1	1

THIS DRAWING IS A CONTROLLED DOCUMENT.	
DIMENSIONS: mm	TOLERANCES UNLESS OTHERWISE SPECIFIED: 0 PLC ± 1 PLC ± 2 PLC ± 3 PLC ± 4 PLC ± ANGLES ± FINISH ±
MATERIAL	SEE TABLE

THIS DRAWING IS A CONTROLLED DOCUMENT.

DWN: WY JANG
 CHK: YH MA
 APVD: KT LIM
 PRODUCT SPEC: -
 APPLICATION SPEC: -
 WEIGHT: -

TE TE Connectivity

NAME: 250(MCP 6.3) 6P PLUG ASS'Y

SIZE: A3 CAGE CODE: 00779 DRAWING NO: C-2188405 RESTRICTED TO: -

CUSTOMER DRAWING SCALE: SHEET OF REV B