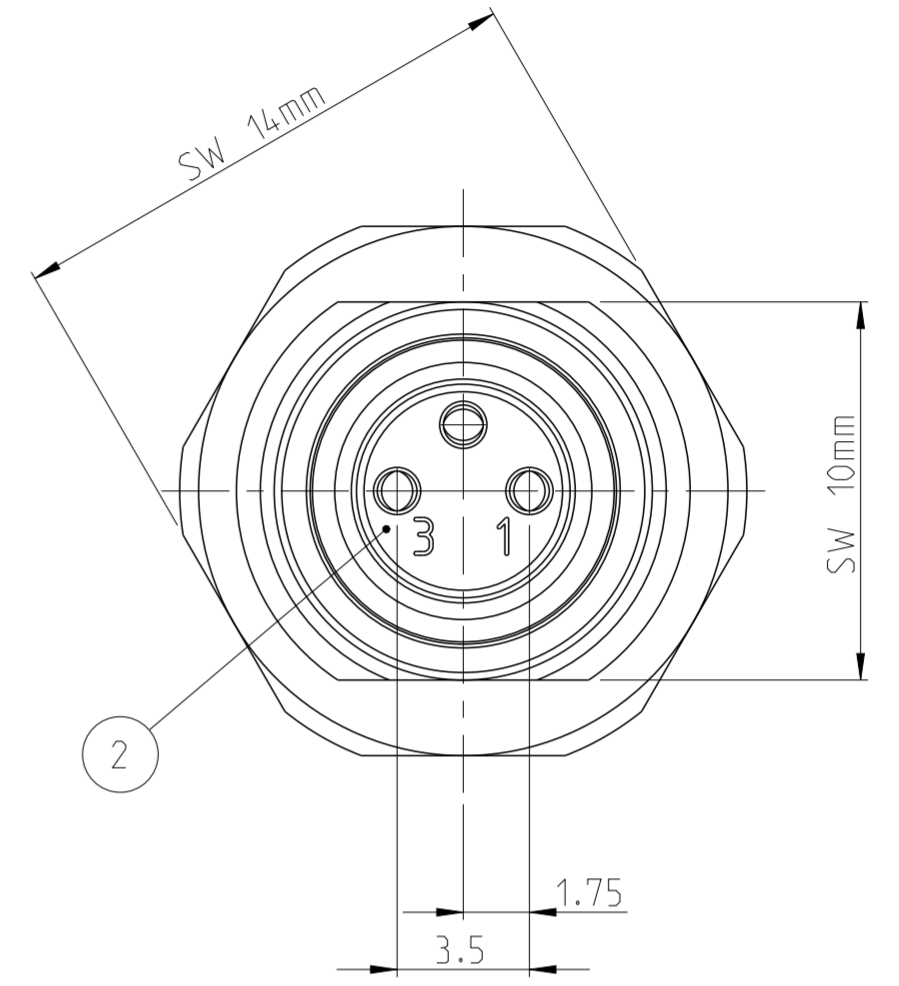
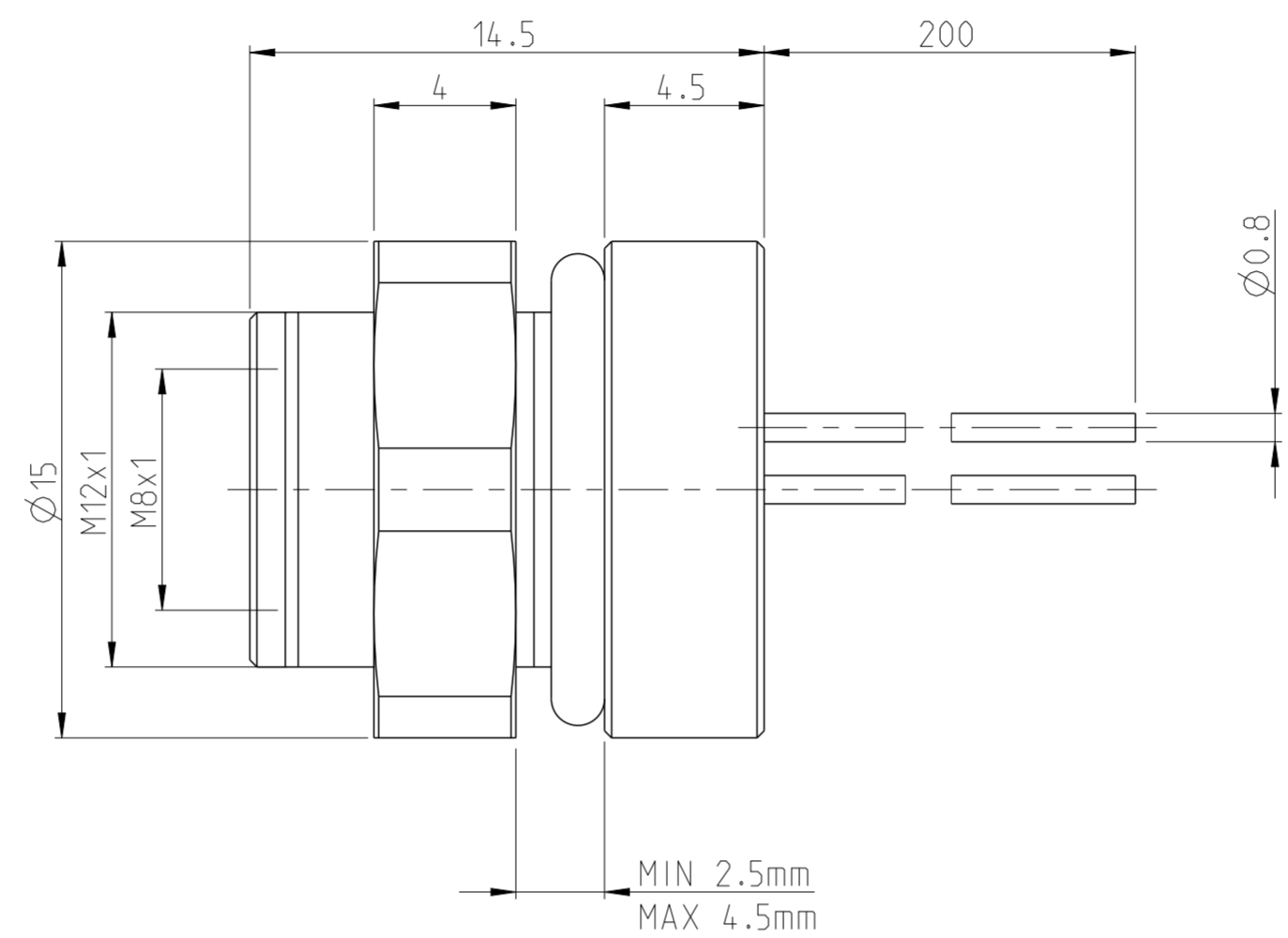


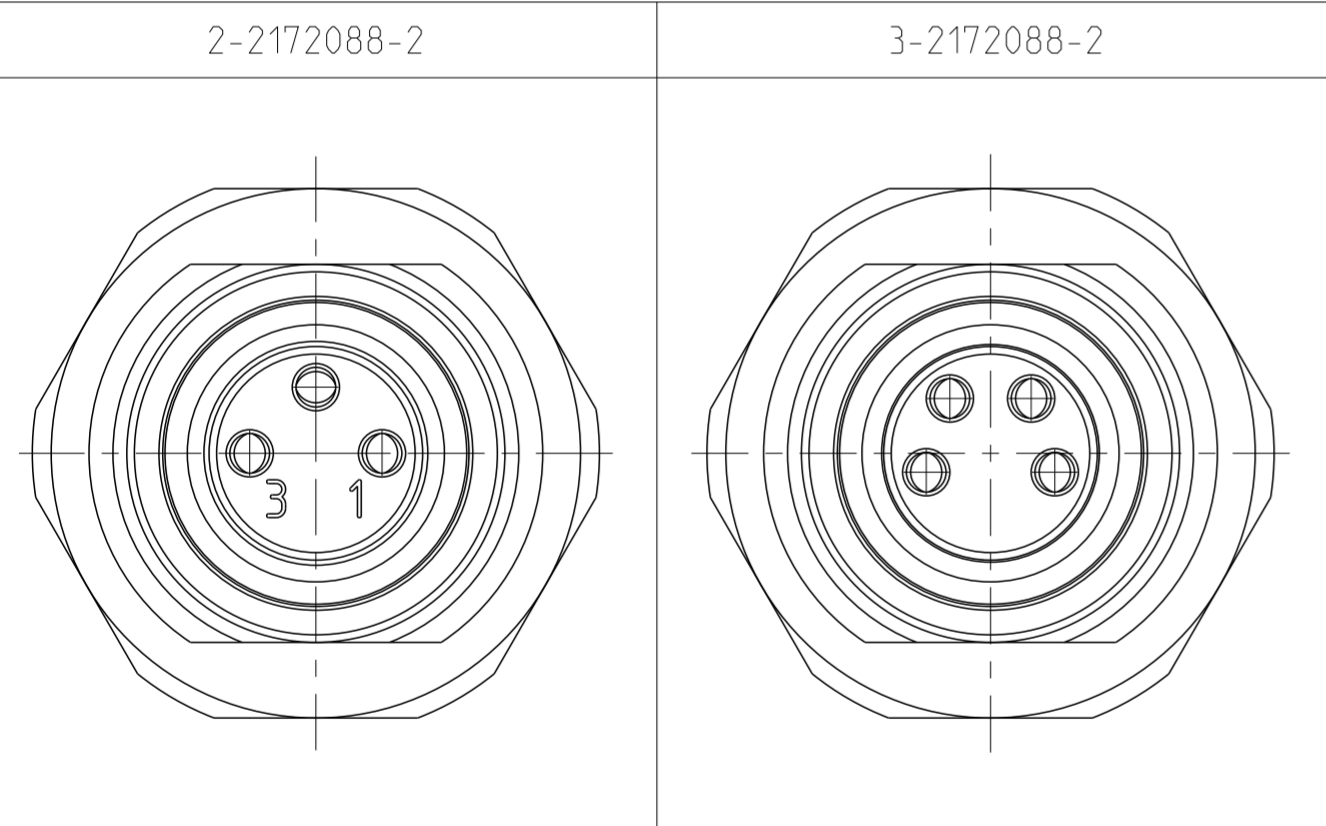
PROJEKT NR.:		REVISIONS			
PRJ-11-000004377		ÄNDERUNGEN			
P	LTR	DESCRIPTION	DATE	DWN	APVD
	A	NEW RELEASE	04DEC2014	TJ	PS
	A1	P/N 3-2172088-2 OBSOLETED	27OCT2017	TJ	NG

NOTES:  
 1 MATERIAL: ITEM NO. 1: HOUSING - CuZn (BRASS NICKEL PLATED)  
 ITEM NO. 2: CONTACT BODY - PA  
 ITEM NO. 3: CONTACT - CuSn (BRONZE)  
 CONTACT FINISH - Au (GOLD)  
 2 ALL DIMENSIONS ARE FOR NOMINAL REFERENCE ONLY UNLESS OTHERWISE STATED

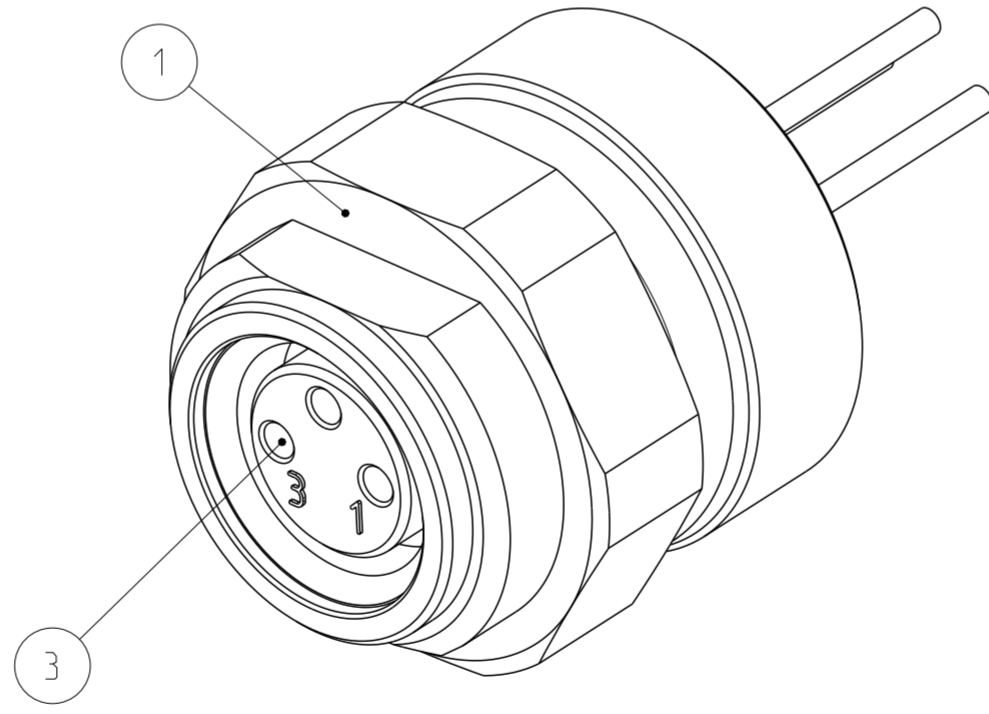
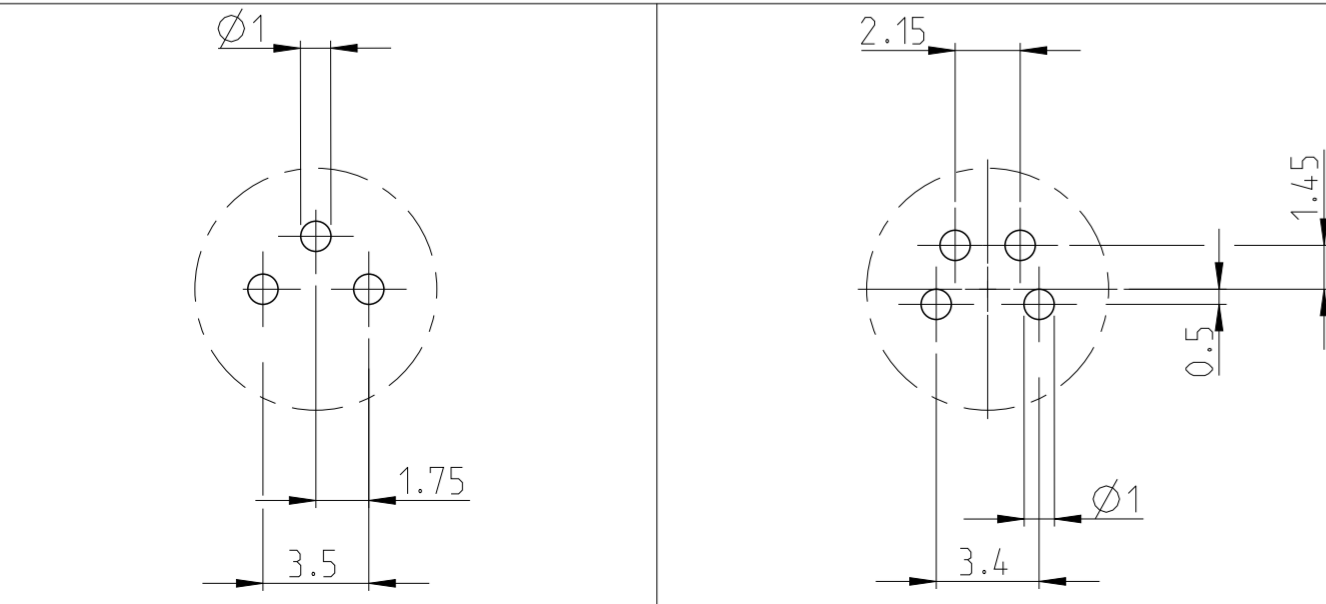
TECHNICAL DATA	2-2172088-2	3-2172088-2
RATED VOLTAGE	60V	30V
RATED IMPULSE VOLTAGE	800V	800V
POLLUTION DEGREE	3	3
OVERVOLTAGE CATEGORY	II	II
MATERIAL GROUP	II	II
RATED CURRENT	4A	4A
VOLUME RESISTIVITY	≤ 3mΩ	≤ 3mΩ
DEGREE OF PROTECTION	IP67	IP67
UPPER TEMPERATURE	+85 °C	+85 °C
LOWER TEMPERATURE	-40 °C	+40 °C



PIN ARRANGEMENT



CONDUCTOR LAYOUT



SIZE ISO 14405 (E)

OBSOLETE	4	3-2172088-2
	3	2-2172088-2
MATERIAL	NUMBER OF POLES	TE-PART-NO.

DIESE ZEICHNUNG IST EIN KONTROLLIERTES DOKUMENT. BEMASSUNGEN UND TOLERANZEN GEMAESS GPS (ISO STANDARDS). THIS DRAWING IS A CONTROLLED DOCUMENT. DIMENSIONING AND TOLERANCING PER GPS (ISO STANDARDS).

DIMENSIONS: MASSEINHEITEN: (MM)	TOLERANCES UNLESS OTHERWISE SPECIFIED: ALLGEMEINTOLERANZEN	DWN YASHKUMAR 13SEP2014	NAME
		CHK M. BRUBAKER 13SEP2014	STE TE Connectivity
		APVD M. BRUBAKER 13SEP2014	M8 RECEPTACLE, FEMALE, WIRE PANEL REAR MOUNT
		PRODUCT SPEC 108-19483	SIZE A2
		APPLICATION SPEC 114-32127	CAGE CODE 00779
MATERIAL	FINISH/OBERFLAECHE/FARBE	WEIGHT GEWICHT -	DRAWING NO. ZEICHNUNGS-NR. C-2172088
SEE NOTES	SEE NOTES	Customer Drawing	RESTRICTED TO NUR FUER -
		SCALE MASSSTAB 4:1	SHEET BLATT 1 OF VON 1
			REV A1