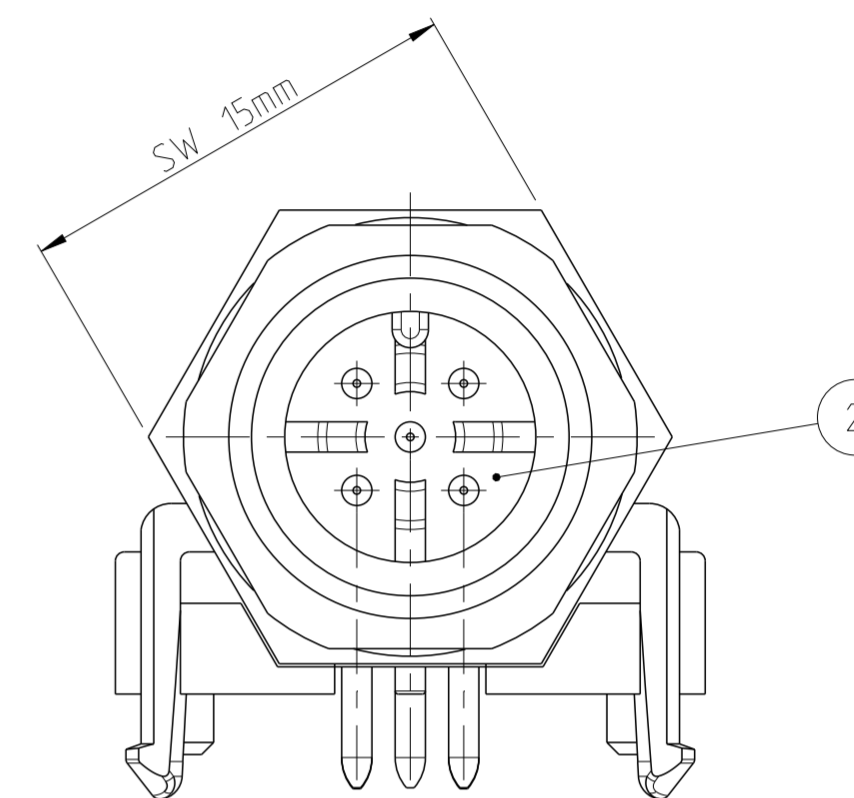
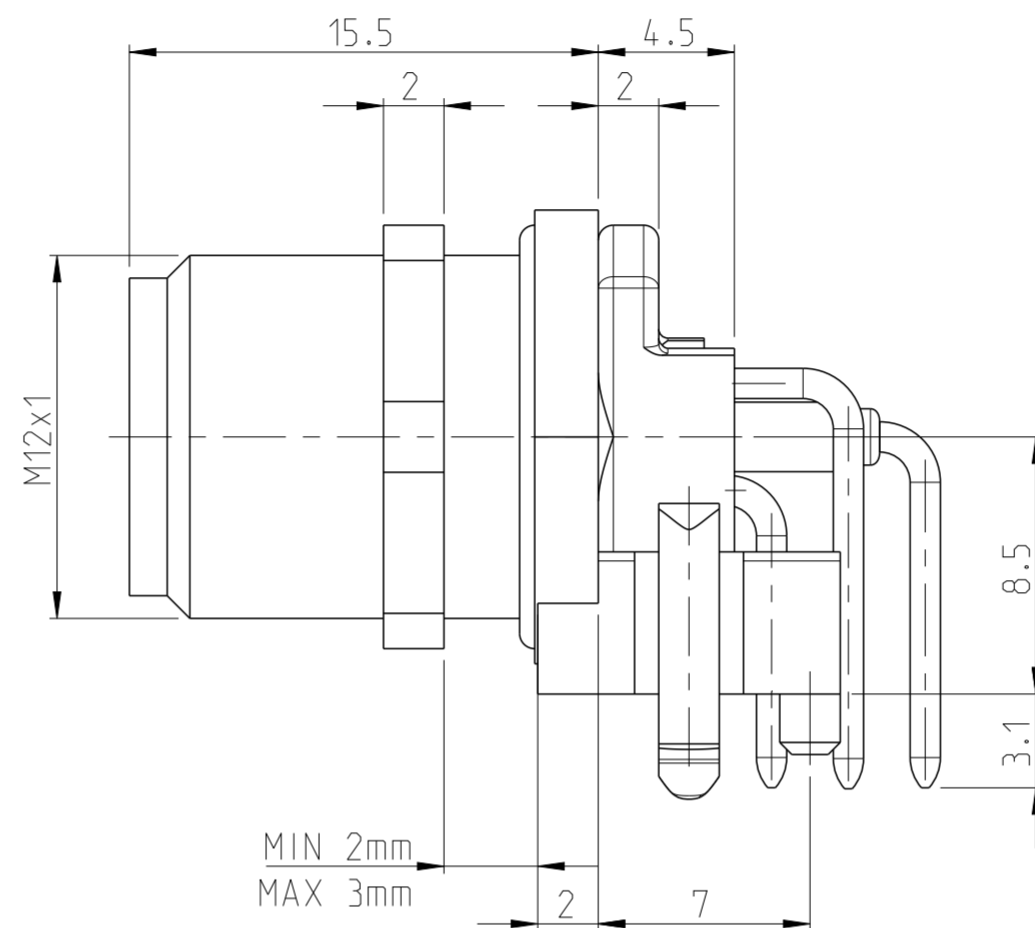
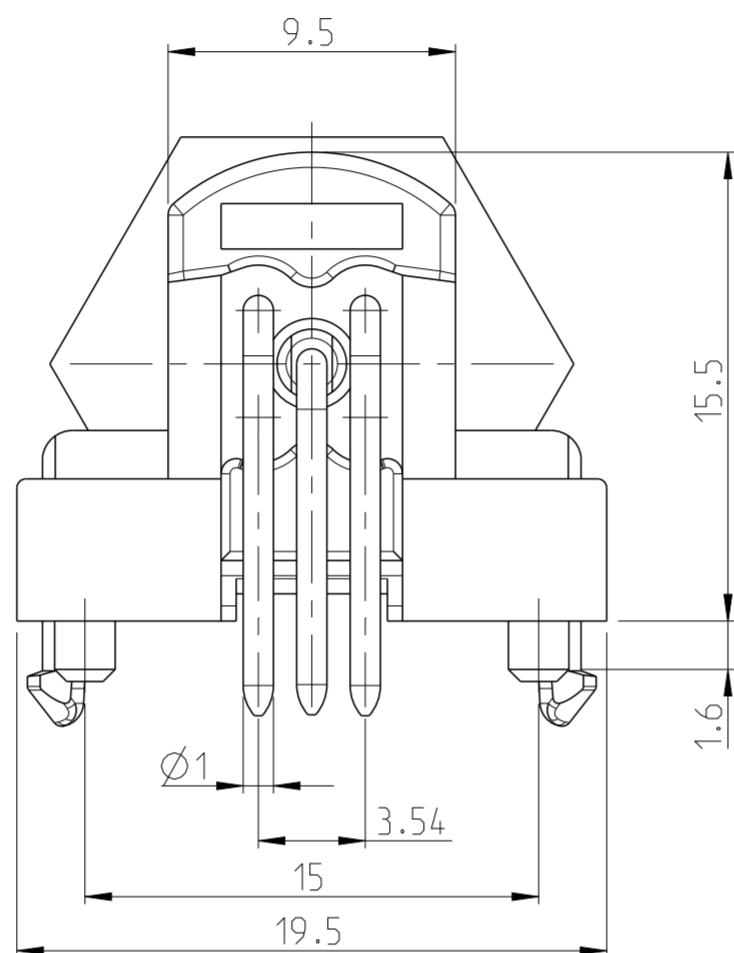


REVISIONS		DATE	DWN	APVD
ÄNDERUNGEN				
P	LTR	DESCRIPTION		
		BESCHREIBUNG		
A		NEW RELEASE	01DEC2014	CR JK
A1		NUT SHELL AND 5P HOUSING PN INTRODUCED	23SEP2015	TJ NG
A2		PCB LAYOUT CORRECTED FOR PN 5-2172081-2	11MAY2016	TJ NG
A3		SEAL QTY, MATERIAL DETAILS ADDED IN NOTES	10JAN2018	TJ NG

1 MATERIAL: ITEM NO. 1: NUT SHELL - CuZn (BRASS, NICKEL PLATED)  
 ITEM NO. 2: HOUSING - PA  
 ITEM NO. 3: CONTACT - CuZn (BRASS)  
 ITEM NO. 4: SEAL LARGE - NBR (QTY-1)  
 CONTACT FINISH - Au (GOLD)

2 ALL DIMENSIONS ARE FOR NOMINAL REFERENCE ONLY UNLESS OTHERWISE STATED

TECHNICAL DATA	3-2172081-2	4-2172081-2	5-2172081-2
RATED VOLTAGE	250V	125V	60V
RATED IMPULSE VOLTAGE	2500V	1500V	800V
POLLUTION DEGREE	3	3	3
OVERVOLTAGE CATEGORY	II	II	II
MATERIAL GROUP	III	III	III
RATED CURRENT	4A	4A	2A
VOLUME RESISTIVITY	≤ 3mΩ	≤ 3mΩ	≤ 3mΩ
DEGREE OF PROTECTION	IP68	IP68	IP68
UPPER TEMPERATURE	+85°C	+85°C	+85°C
LOWER TEMPERATURE	-40°C	+40°C	+40°C



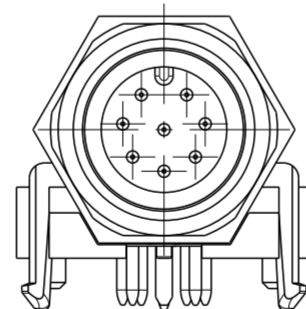
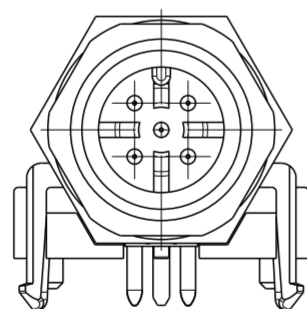
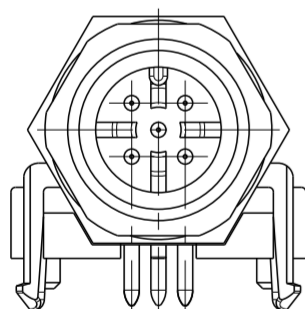
ALSO SOLD SEPARATELY

PIN ARRANGEMENT  
 A-CODING (SCALE 2:1)

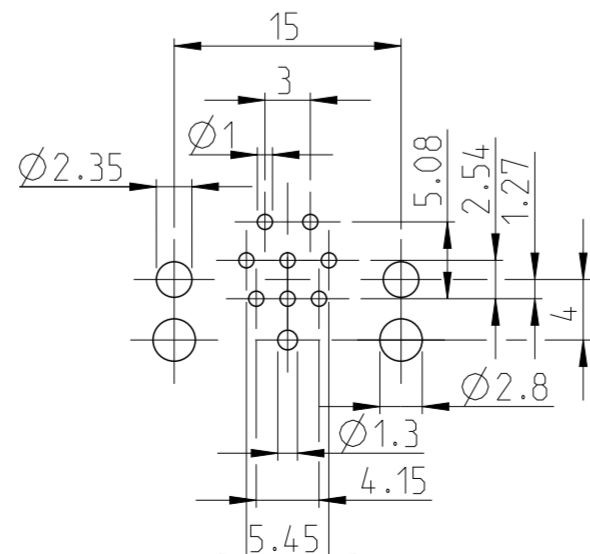
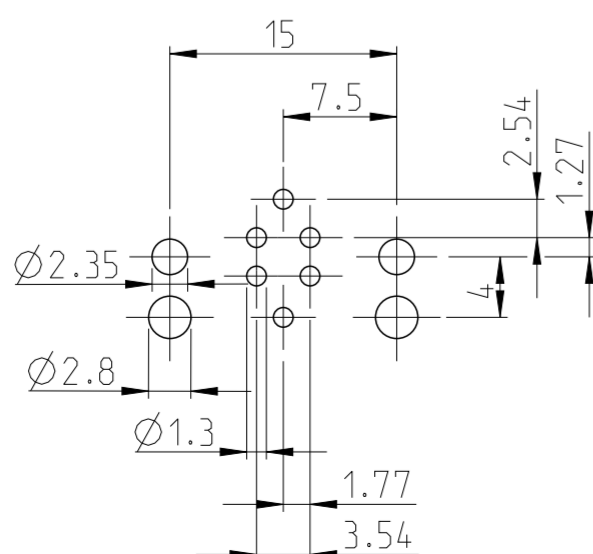
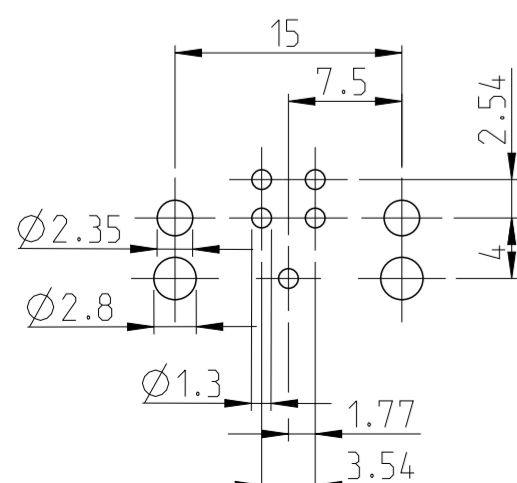
3-2172081-2

4-2172081-2

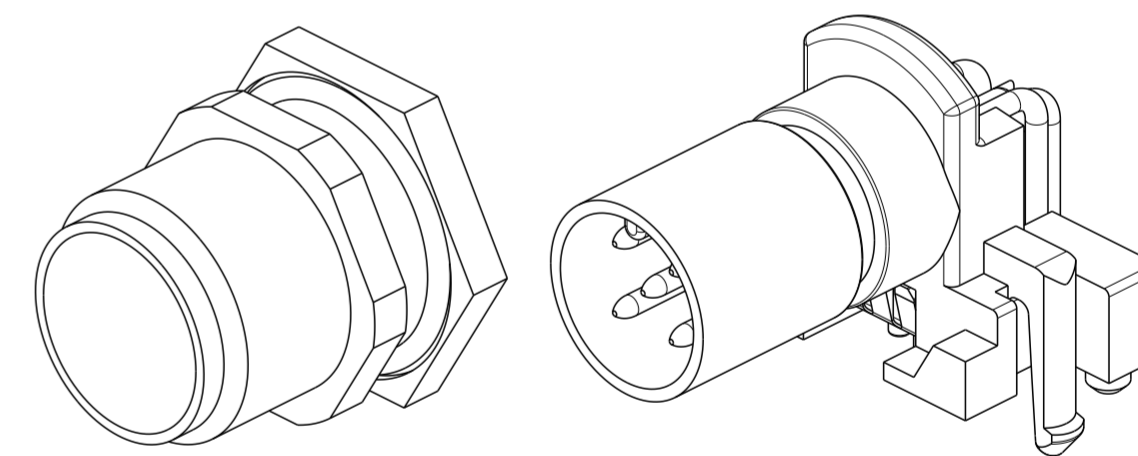
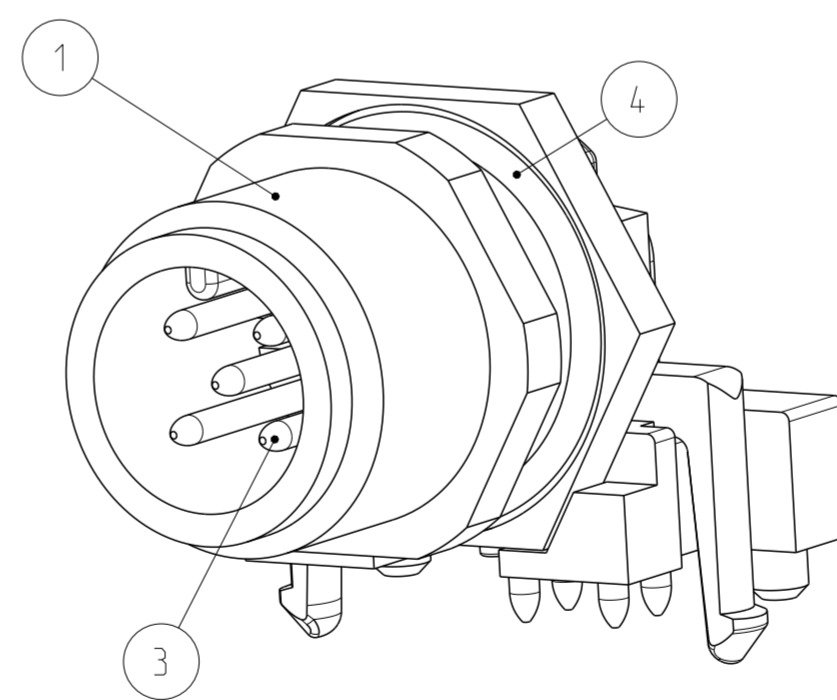
5-2172081-2



CONDUCTOR LAYOUT



SIZE ISO 14405 (E)



NUT SHELL  
 PN 2172081-3

REFER TABLE FOR  
 HOUSING PN

⚠	8	5-2172081-2	
⚠	5	4-2172081-2	4-2172081-3
⚠	4	3-2172081-2	
MATERIAL	NUMBER OF POLES	PART NUMBER	HOUSING PN

DIMENSIONS:		TOLERANCES UNLESS OTHERWISE SPECIFIED:	
MASS/EINHEITEN:	(MM)	ALLGEMEINTOLERANZEN	
		0 PLC ±	
		1 PLC ±	
		2 PLC ±	
		3 PLC ±	
		4 PLC ±	
		ANGLES/WINKEL ±	
		FINISH/OBERFLÄCHE/FARBE	

DWN	YASHKUMAR	11AUG2014	
CHK	M. BRUBAKER	11AUG2014	
APVD	M. BRUBAKER	11AUG2014	
PRODUCT SPEC	108-19483		
APPLICATION SPEC	114-32127		
WEIGHT			
CUSTOMER DRAWING	/KUNDENZEICHNUNG	SCALE MASSSTAB 2:1	SHEET BLATT 1 OF VON 1
NAME	M12 MALE, PCB ASSEMBLY, ANGLED, SHIELDED, WITH STANDOFF, A-CODED		
SIZE	A2	CAGE CODE 00779	DRAWING NO. ZEICHNUNGS-NR. C-2172081
RESTRICTED TO NUR FÜR			REV A3

