

THIS DRAWING IS UNPUBLISHED. VERTRÄULICHE UNVERÖFFENTLICHTE ZEICHNUNG. RELEASED FOR PUBLICATION FREI FÜR VERÖFFENTLICHUNG. 2014. MATED WITH: PASSEND ZU:
 © COPYRIGHT 2014 Tyco Electronics AMP GmbH. ALL RIGHTS RESERVED. ALLE RECHTE VORBEHALTEN.

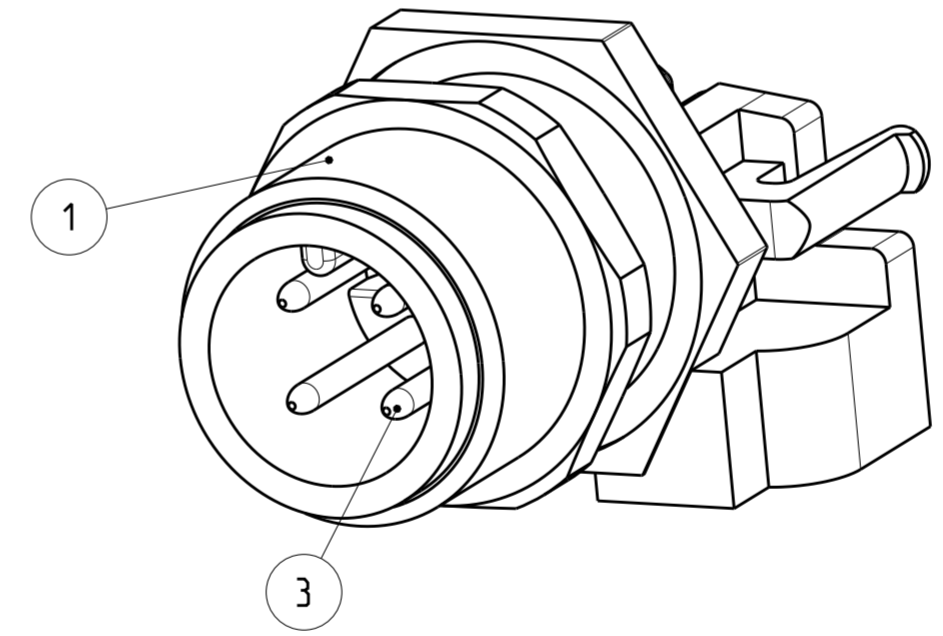
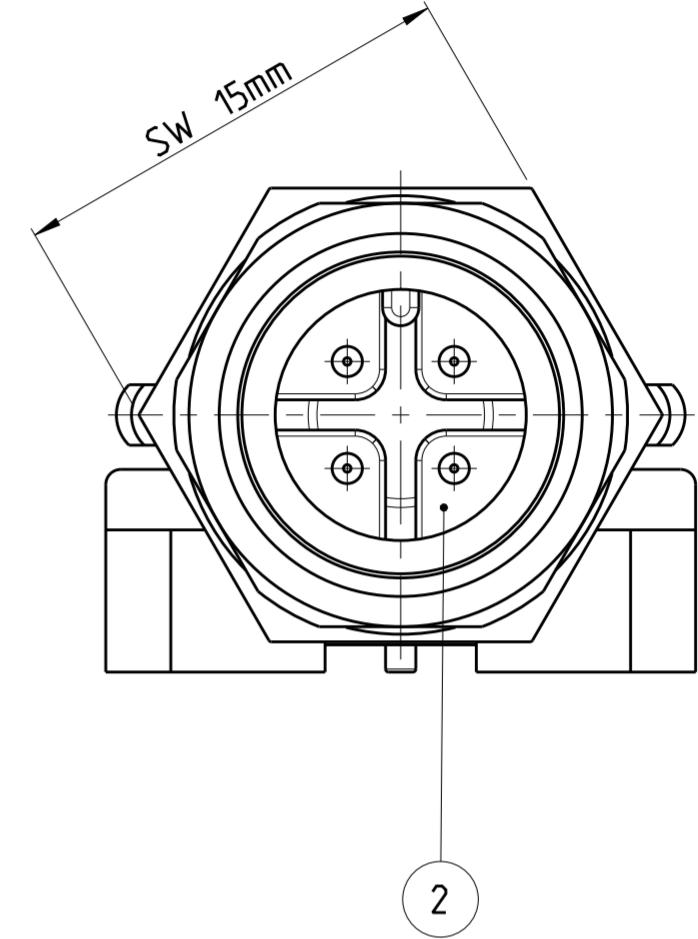
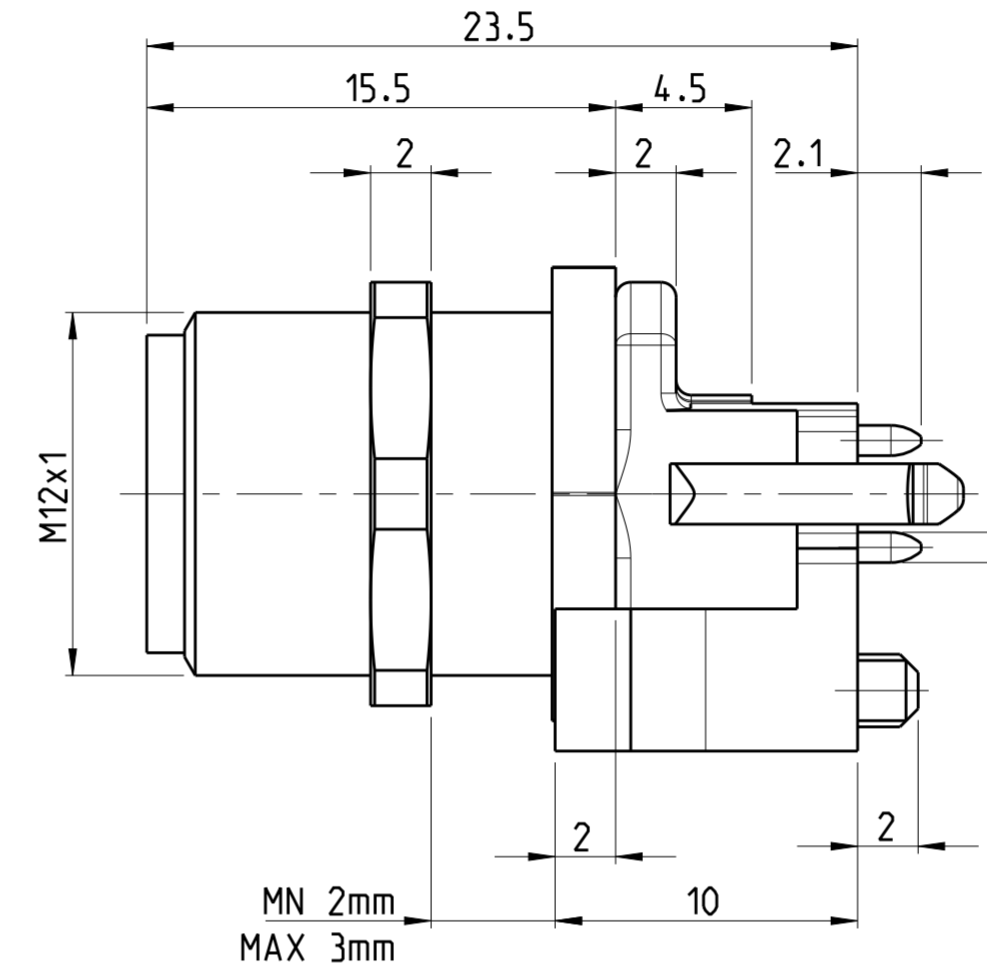
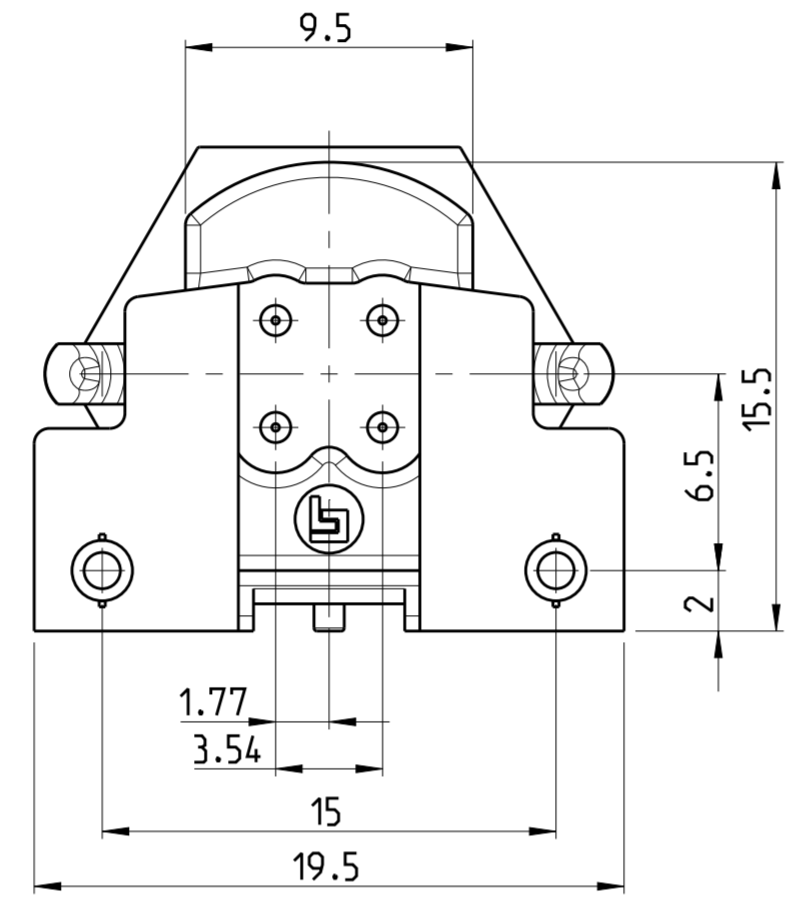
PROJEKT NR.: PRJ-11-000004377

REVISIONS		DATE	DWN	APVD
ÄNDERUNGEN				
P	LTR	DESCRIPTION		
BESCHREIBUNG				
A		NEW RELEASE	28NOV2014	CR JK
A1		3-2172080-2 AND 4-2172080-2 DISCONTINUED	23SEP2017	TJ NG

⚠ MATERIAL: ITEM NO. 1: HOUSING - CuZn (BRASS, NICKEL PLATED)
 ITEM NO. 2: CONTACT BODY - PA
 ITEM NO. 3: CONTACT - CuSn (BRONZE)
 CONTACT FINISH - Au (GOLD)

2 ALL DIMENSIONS ARE FOR NOMINAL REFERENCE ONLY UNLESS OTHERWISE STATED

TECHNICAL DATA	3-2172080-2	4-2172080-2	5-2172080-2
RATED VOLTAGE	250V	125V	60V
RATED IMPULSE VOLTAGE	2500V	1500V	800V
POLLUTION DEGREE	3	3	3
OVERVOLTAGE CATEGORY	II	II	II
MATERIAL GROUP	III	III	III
RATED CURRENT	4A	4A	2A
VOLUME RESISTIVITY	≤ 3mΩ	≤ 3mΩ	≤ 3mΩ
DEGREE OF PROTECTION	IP68	IP68	IP68
UPPER TEMPERATURE	+85 °C	+85 °C	+85 °C
LOWER TEMPERATURE	-40 °C	+40 °C	+40 °C



PIN ARRANGEMENT
A-CODING (SCALE 2:1)

3-2172080-2	4-2172080-2	5-2172080-2

CONDUCTOR LAYOUT

--	--	--

SIZE ISO 14405 (E)

DIESE ZEICHNUNG IST EIN KONTROLLIERTES DOKUMENT. BEMASSUNGEN UND TOLERANZEN GEMAESS GPS (ISO STANDARDS).
 THIS DRAWING IS A CONTROLLED DOCUMENT. DIMENSIONING AND TOLERANCING PER GPS (ISO STANDARDS).

DIMENSIONS: MASSEINHEIT: (MM)	TOLERANCES UNLESS OTHERWISE SPECIFIED: ALLGEMEINTOLERANZEN	DWN YASHKUMAR 11AUG2014
		CHK M. BRUBAKER 11AUG2014
		APVD M. BRUBAKER 11AUG2014
		NAME M. BRUBAKER
		PRODUCT SPEC 108-19483
		APPLICATION SPEC 114-32127
MATERIAL	FINISH/OBERFLÄCHE/FARBE	WEIGHT GEWICHT
-	-	-
Customer Drawing		SCALE MASSSTAB 5:1

⚠	8	5-2172080-2
⚠	5	4-2172080-2
⚠	4	3-2172080-2
MATERIAL	NUMBER OF POLES	TE-PART-NO.



M12 MALE, PCB ASSEMBLY, STRAIGHT, SHIELDED CONNECTOR, A-CODED

SIZE A2	CAGE CODE 00779	DRAWING NO. ZEICHNUNGS-NR. C-2172080	RESTRICTED TO NUR FÜR -
/KUNDENZEICHNUNG		SHEET 1 OF 1	REV A1