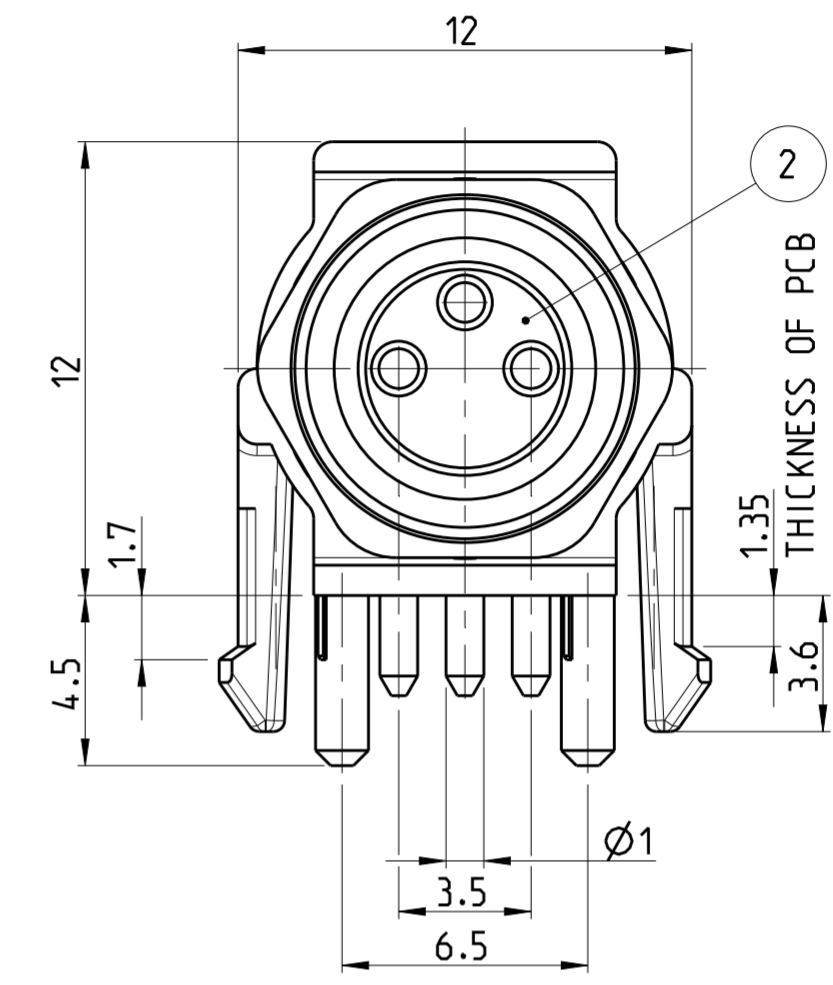
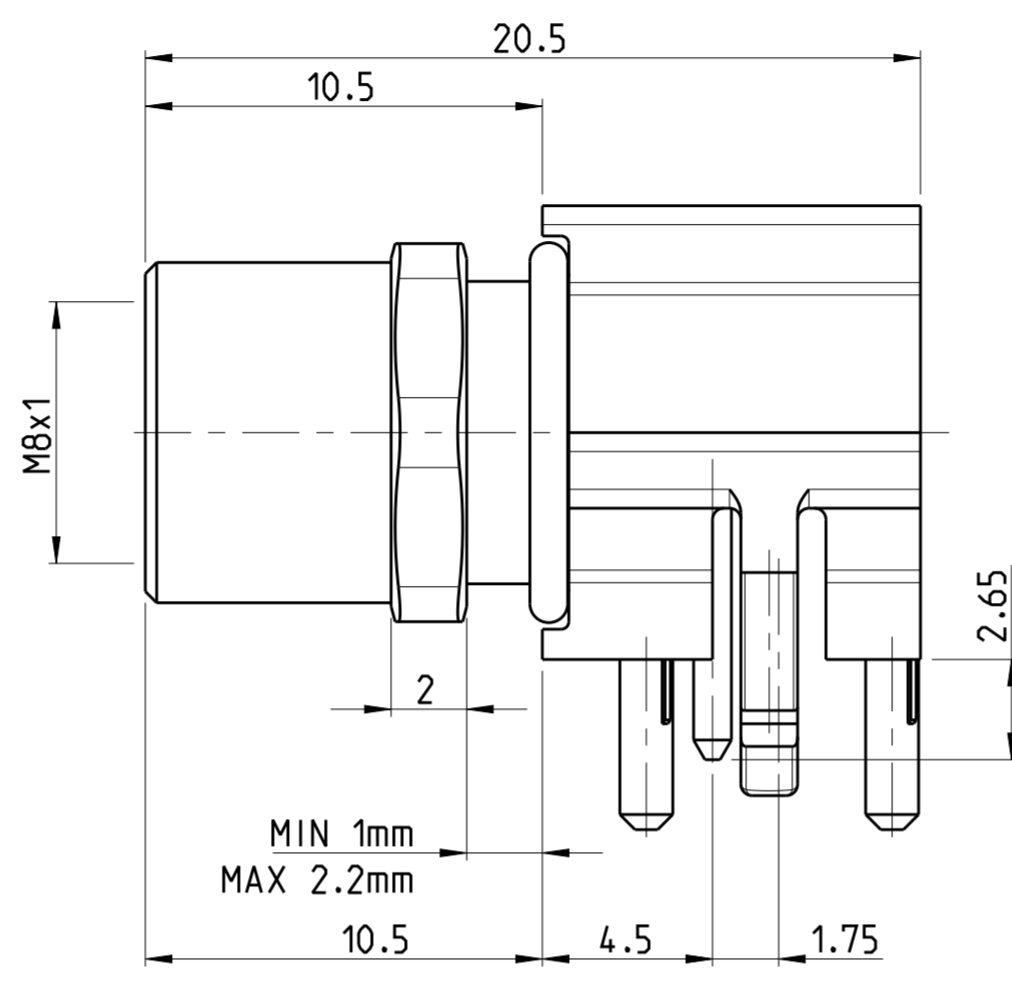


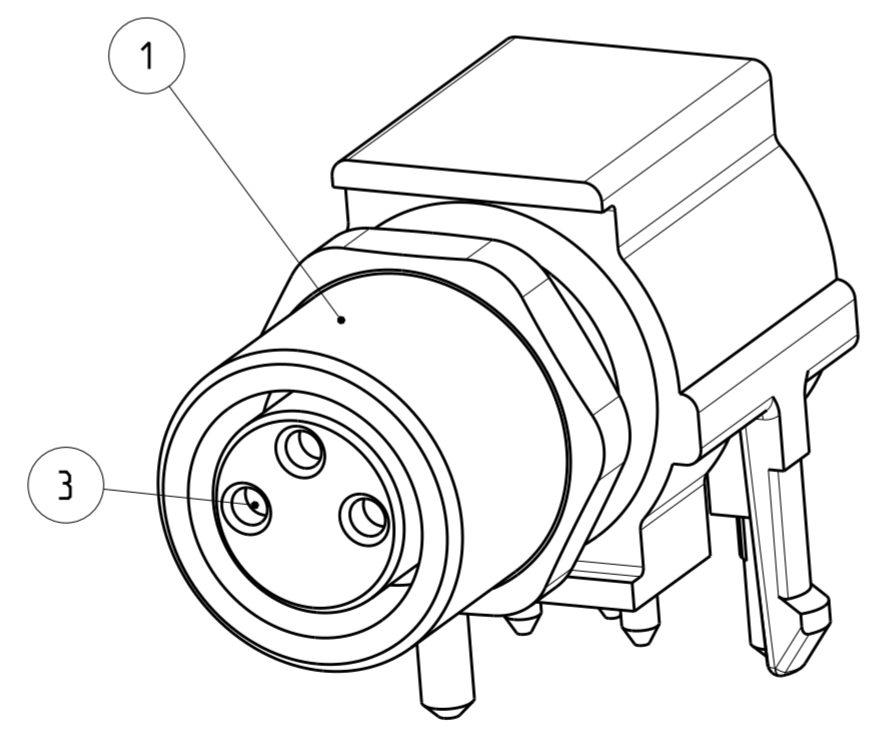
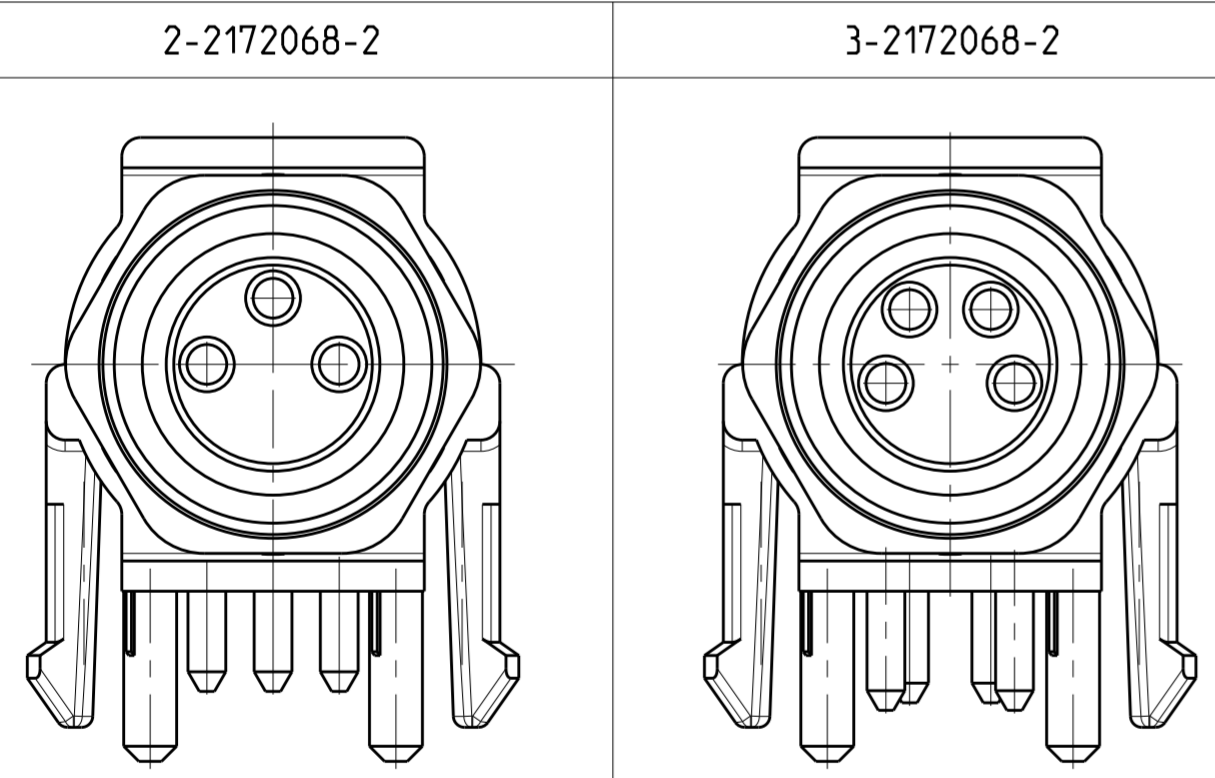
THIS DRAWING IS UNPUBLISHED. VERTRÄULICHE UNVERÖFFENTLICHTE ZEICHNUNG. RELEASED FOR PUBLICATION FREI FÜR VERÖFFENTLICHUNG. 2014. MATED WITH: PASSEND ZU: ALL RIGHTS RESERVED. ALLE RECHTE VORBEHALTEN. © COPYRIGHT 2014 Tyco Electronics AMP GmbH

PROJECT NR.: PRJ-11-000004377		REVISIONS			
P	LTR	DESCRIPTION	DATE	DWN	APVD
A1		TEXT CORRECTD FROM M12 TO M8 IN TITLE BLCK	120CT2015	TJ	NG
A2		DIM 3.25 CORRECTED TO 3 IN PCB LAYOUT	23NOV2016	TJ	NG
A3		ECR-17-003595	270CT2017	TJ	NG
A4		ECR-19-017633	16NOV2019	B.P	C.W

TECHNICAL DATA	2-2172068-2	3-2172068-2
RATED VOLTAGE	60V	30V
RATED IMPULSE VOLTAGE	800V	800V
POLLUTION DEGREE	3	3
OVERVOLTAGE CATEGORY	II	II
MATERIAL GROUP	II	II
RATED CURRENT	4A	4A
VOLUME RESISTIVITY	≤ 3mΩ	≤ 3mΩ
DEGREE OF PROTECTION	IP67	IP67
UPPER TEMPERATURE	+85 °C	+85 °C
LOWER TEMPERATURE	-40 °C	-40 °C

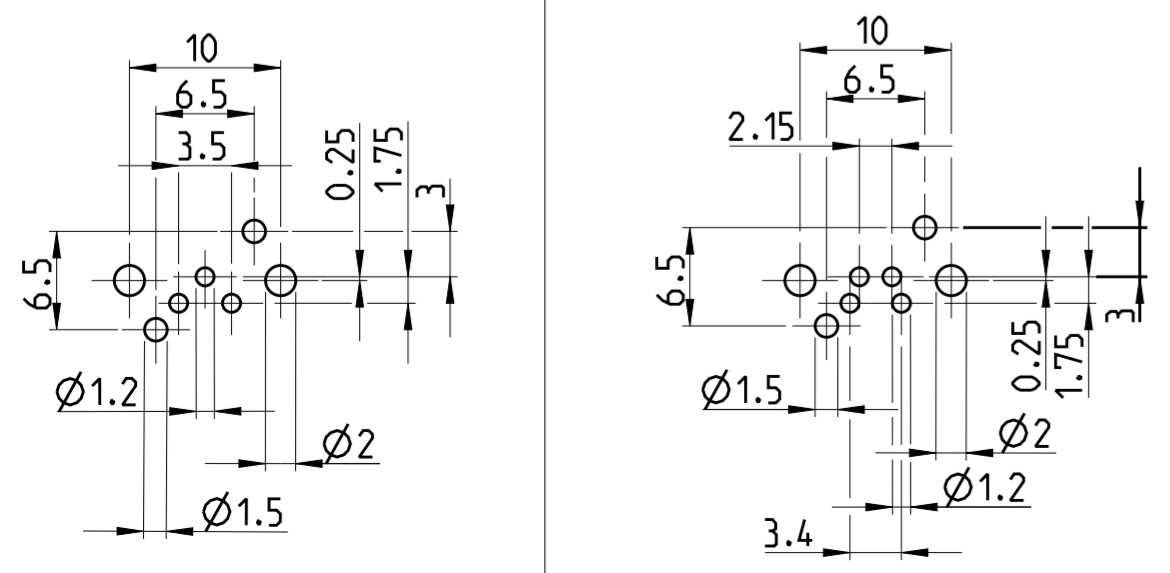


PIN ARRANGEMENT



NOTES:  
 1 MATERIAL: ITEM NO. 1: HOUSING - CuZn (BRASS NICKEL PLATED)  
 ITEM NO. 2: CONTACT BODY - PA  
 ITEM NO. 3: CONTACT - CuSn (BRONZE)  
 CONTACT FINISH - Au (GOLD)  
 2 ALL DIMENSIONS ARE FOR NOMINAL REFERENCE ONLY UNLESS OTHERWISE STATED

PCB LAYOUT



SIZE ISO 14405 (E)

DIESE ZEICHNUNG IST EIN KONTROLLIERTES DOKUMENT. BEMASSUNGEN UND TOLERANZEN GEMAESS GPS (ISO STANDARDS).		THIS DRAWING IS A CONTROLLED DOCUMENT. DIMENSIONING AND TOLERANCING PER GPS (ISO STANDARDS).		DWN YASHKUMAR 25 JUL 2014 CHK M. BRUBAKER 25 JUL 2014 APVD M. BRUBAKER 25 JUL 2014	
DIMENSIONS: MASSE/WEITEN: (MM)		TOLERANCES UNLESS OTHERWISE SPECIFIED: ALLGEMEINTOLERANZEN		NAME M8 RECEPTACLE, FEMALE, PCB MOUNT, ANGLED, UL APPROVED	
0 PLC ± 1 PLC ± 2 PLC ± 3 PLC ± 4 PLC ± ANGLES/WINKEL ± FINISH/OBERFLAECHE/FARBE		PRODUCT SPEC 108-19483 APPLICATION SPEC 114-32127 WEIGHT GEWICHT -		SIZE A2 CAGE CODE 00779 DRAWING NO. ZEICHNUNGS-NR. C-2172068	
SEE NOTES		SEE NOTES		Customer Drawing /KUNDENZEICHNUNG SCALE MASSSTAB 2:1 SHEET BLATT 1 OF VON 1 REV A4	