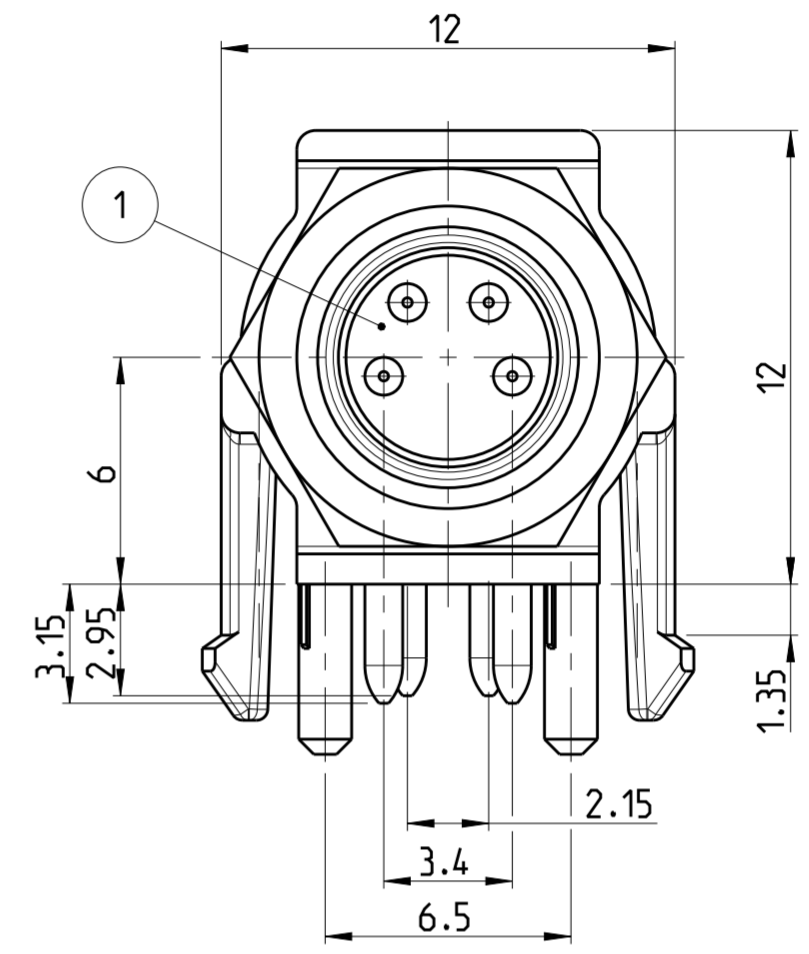
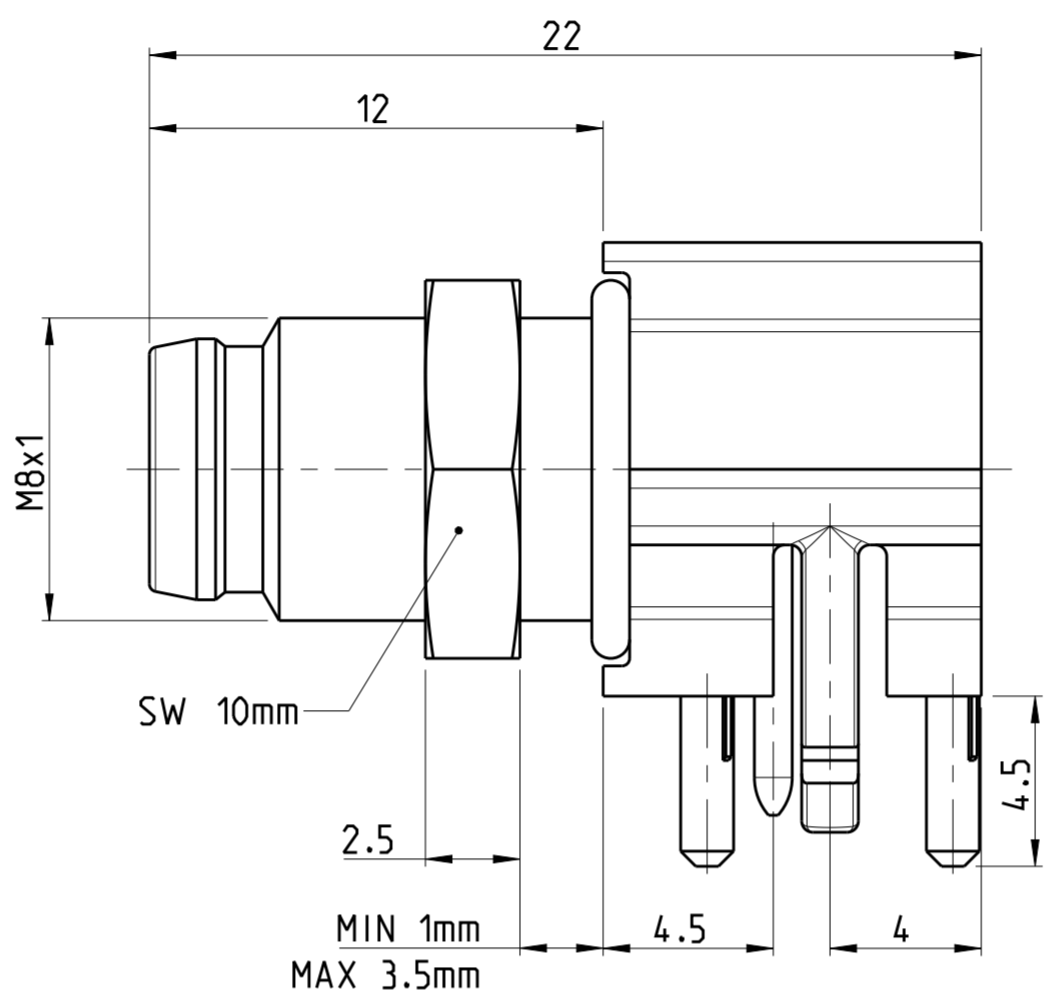


THIS DRAWING IS UNPUBLISHED. VERTRÄULICHE UNVERÖFFENTLICHTE ZEICHNUNG. RELEASED FOR PUBLICATION FREI FÜR VERÖFFENTLICHUNG. 2014. MATED WITH: PASSEND ZU: ALL RIGHTS RESERVED. ALLE RECHTE VORBEHALTEN. COPYRIGHT 2014 Tyco Electronics AMP GmbH

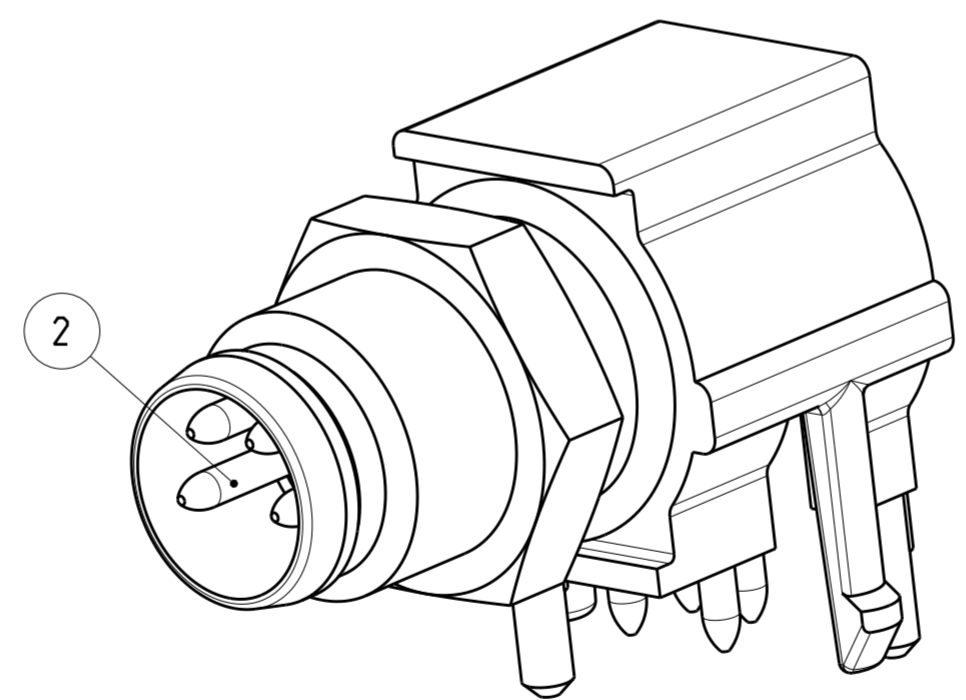
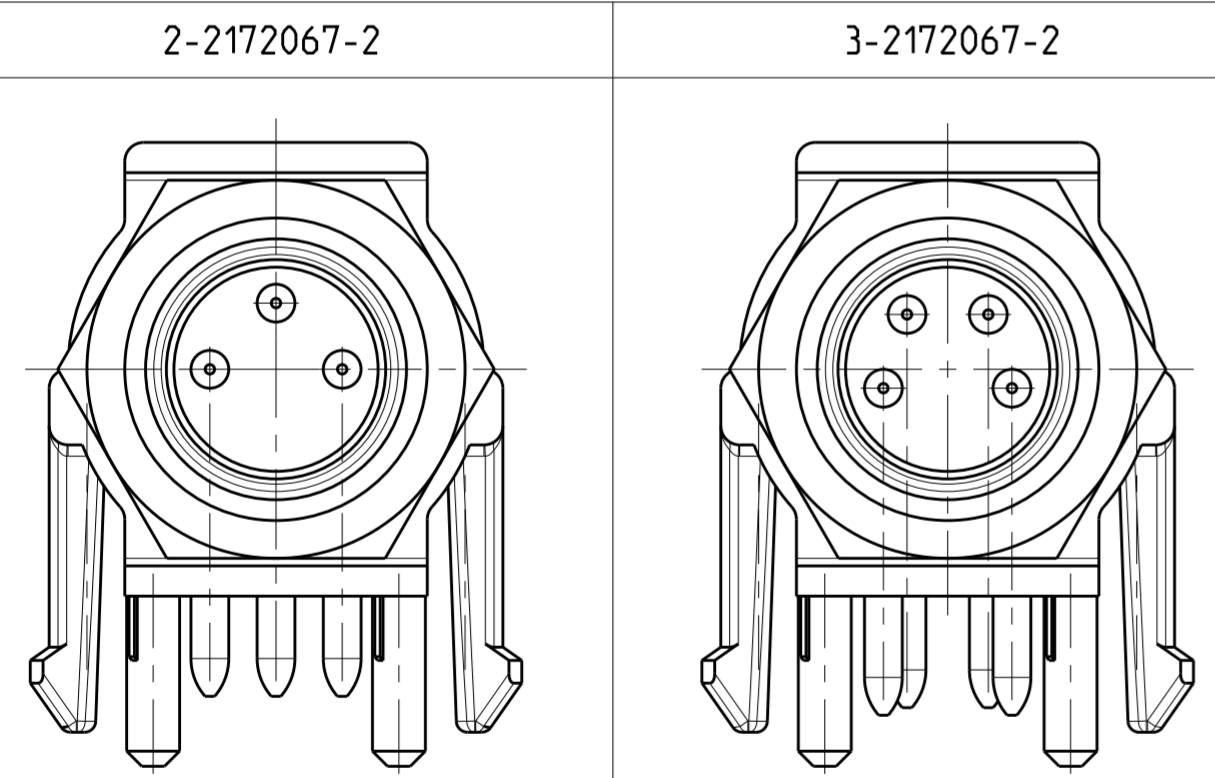
PROJEKT NR.: PRJ-11-000004377

P	LTR	REVISIONS ÄNDERUNGEN DESCRIPTION BESCHREIBUNG	DATE	DWN	APVD
A		NEW RELEASE	04DEC2014	TJ	PS
A1		PN 3-2172067-2 DISCONTINUED	27OCT2017	TJ	NG

TECHNICAL DATA	2-2172067-2	3-2172067-2
RATED VOLTAGE	60V	30V
RATED IMPULSE VOLTAGE	800V	800V
POLLUTION DEGREE	3	3
OVERVOLTAGE CATEGORY	II	II
MATERIAL GROUP	II	II
RATED CURRENT	4A	4A
VOLUME RESISTIVITY	≤ 3mΩ	≤ 3mΩ
DEGREE OF PROTECTION	IP67	IP67
UPPER TEMPERATURE	+85 °C	+85 °C
LOWER TEMPERATURE	-40 °C	+40 °C

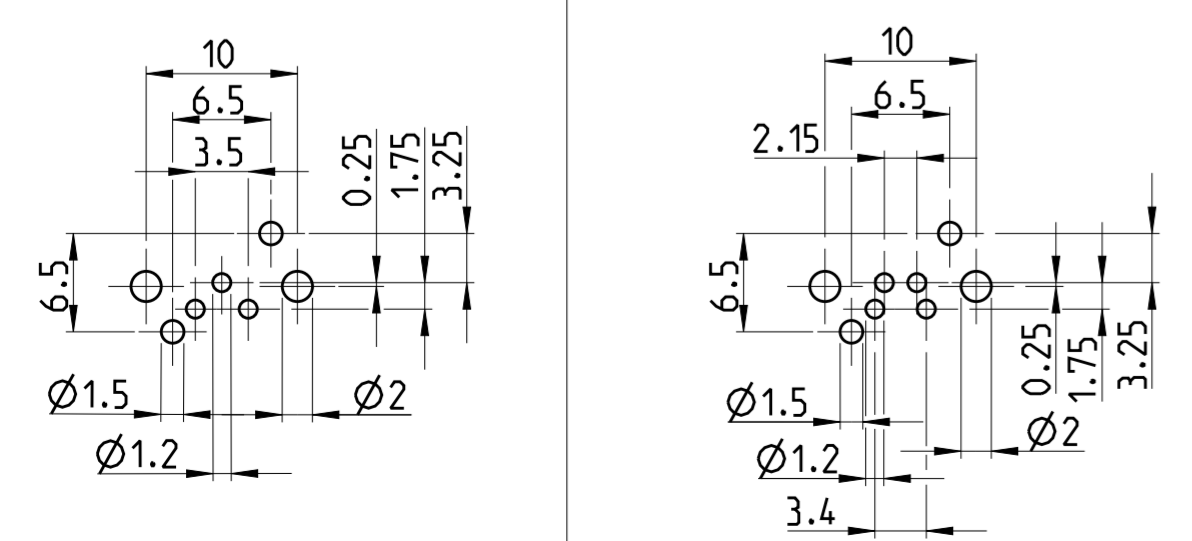


PIN ARRANGEMENT



NOTES
 1 MATERIAL: ITEM NO. 1: CONTACT BODY - PA
 ITEM NO. 2: CONTACT - CuZn (BRASS)
 CONTACT FINISH - Au (GOLD)
 2 ALL DIMENSIONS ARE FOR NOMINAL REFERENCE ONLY UNLESS OTHERWISE STATED

CONDUCTOR LAYOUT



SIZE ISO 14405 (E)

OBSOLETE	⚠	4	3-2172067-2
	⚠	3	2-2172067-2
MATERIAL		NUMBER OF POLES	TE-PART-NO.

DIESE ZEICHNUNG IST EIN KONTROLLIERTES DOKUMENT. BEMASSUNGEN UND TOLERANZEN GEMAESS GPS (ISO STANDARDS).		DWN YASHKUMAR 25 JUL 2014	
THIS DRAWING IS A CONTROLLED DOCUMENT. DIMENSIONING AND TOLERANCING PER GPS (ISO STANDARDS).		CHK M. BRUBAKER 25 JUL 2014	
DIMENSIONS: MASSE IN MILLIMETERN (MM)		APVD M. BRUBAKER 25 JUL 2014	
TOLERANCES UNLESS OTHERWISE SPECIFIED: ALLGEMEINTOLERANZEN		NAME M8 RECEPTACLE, MALE, PCB MOUNT, ANGLED	
0 PLC ±	1 PLC ±	PRODUCT SPEC 108-19483	SIZE A2
2 PLC ±	3 PLC ±	APPLICATION SPEC 114-32127	CAGE CODE 00779
4 PLC ±	ANGLES/WINKEL ±	WEIGHT -	DRAWING NO. C-2172067
FINISH/OBERFLÄCHE/FARBE		REVISIONS	RESTRICTED TO NUR FÜR -
SEE NOTES	SEE NOTES	Customer Drawing	SCALE MASSSTAB 5:1 SHEET BLATT 1 OF 1 REV A1

