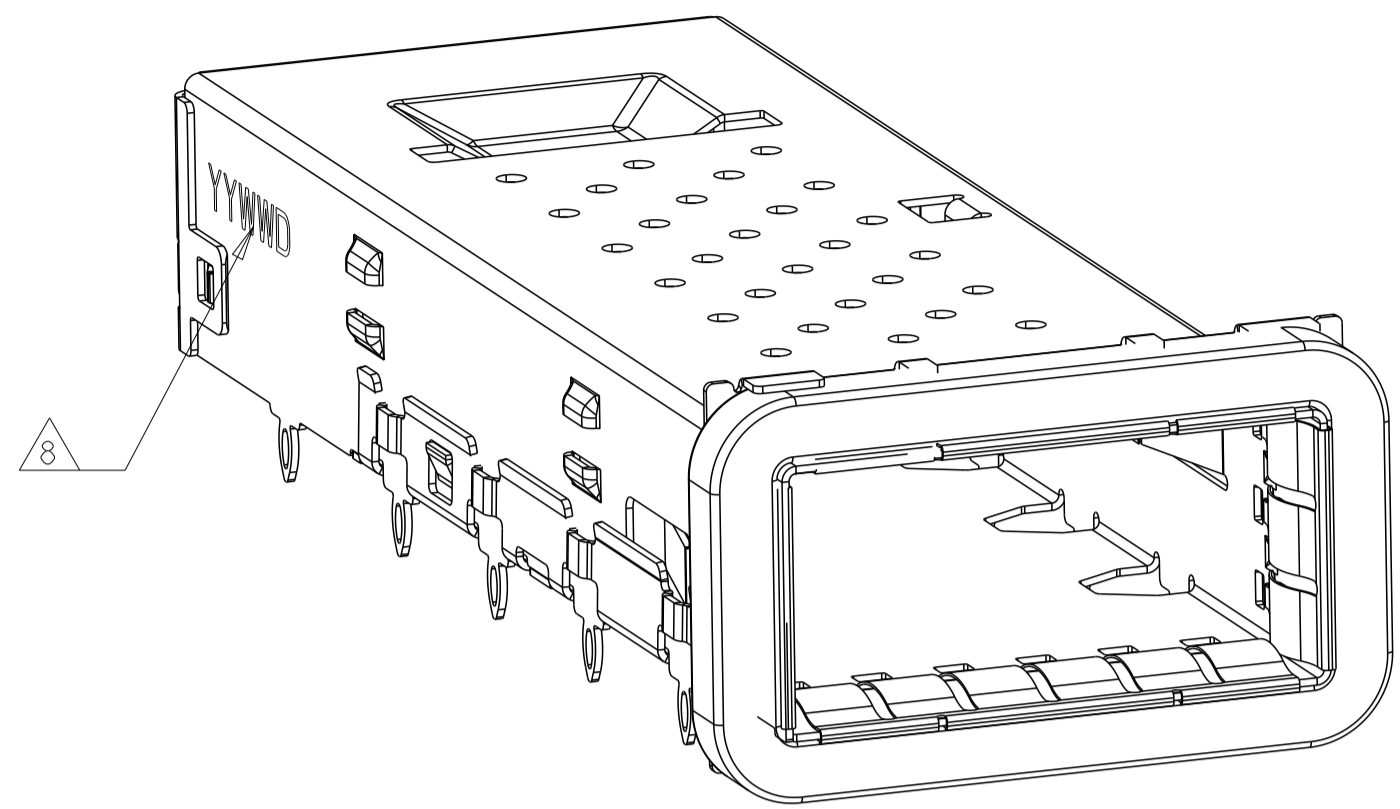
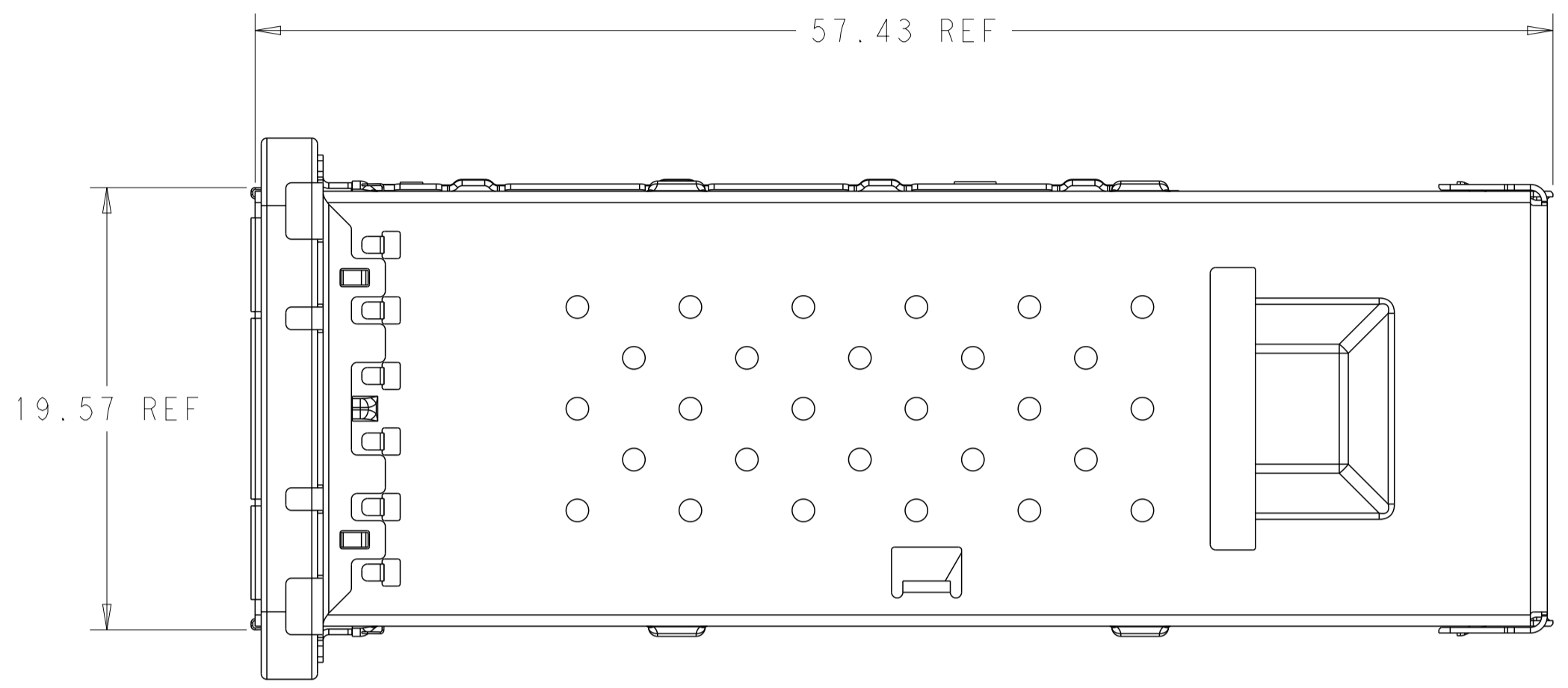


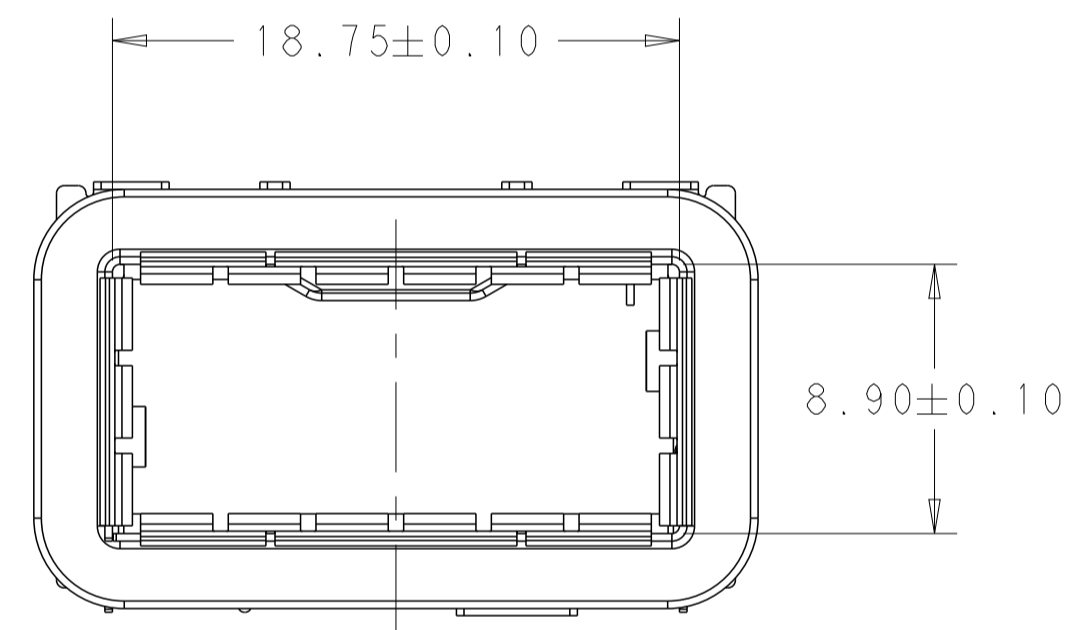
LOC		DIST		REVISIONS			
P	LTN	DESCRIPTION	DATE	DWN	APVD		
A		RELEASE	30DEC2015	JY	SH		
A1		REVISED PER ECN-22-163746	11JUL2022	IT	SZ		



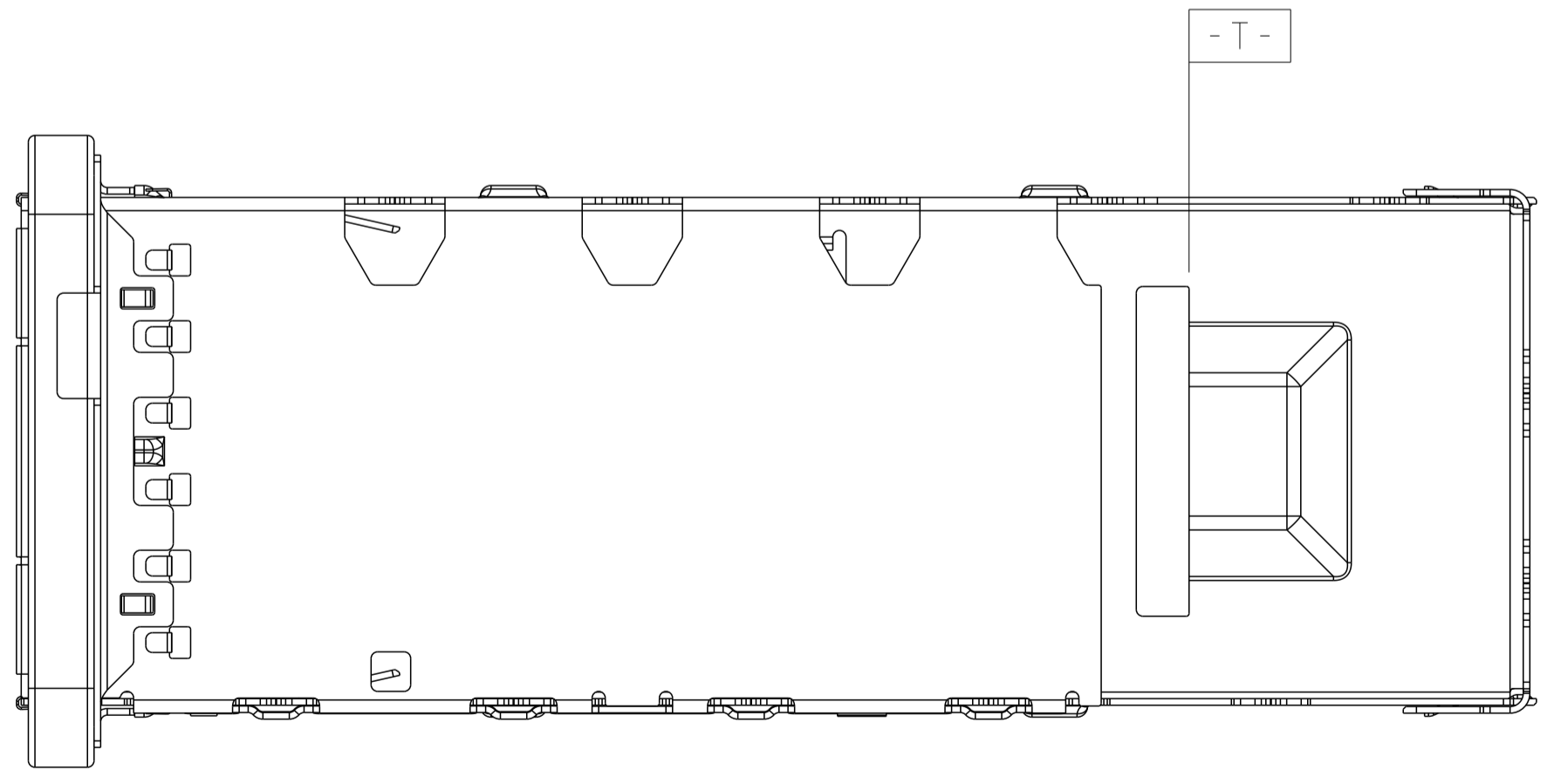
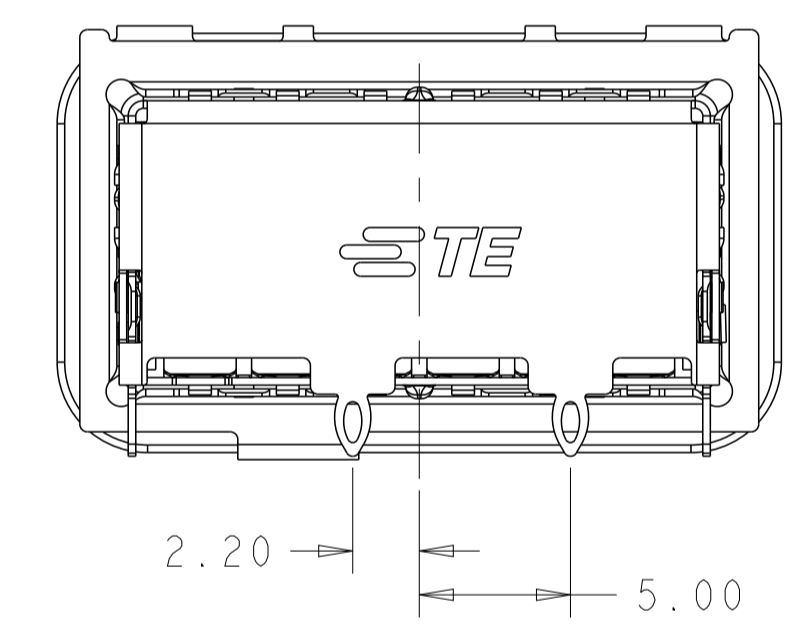
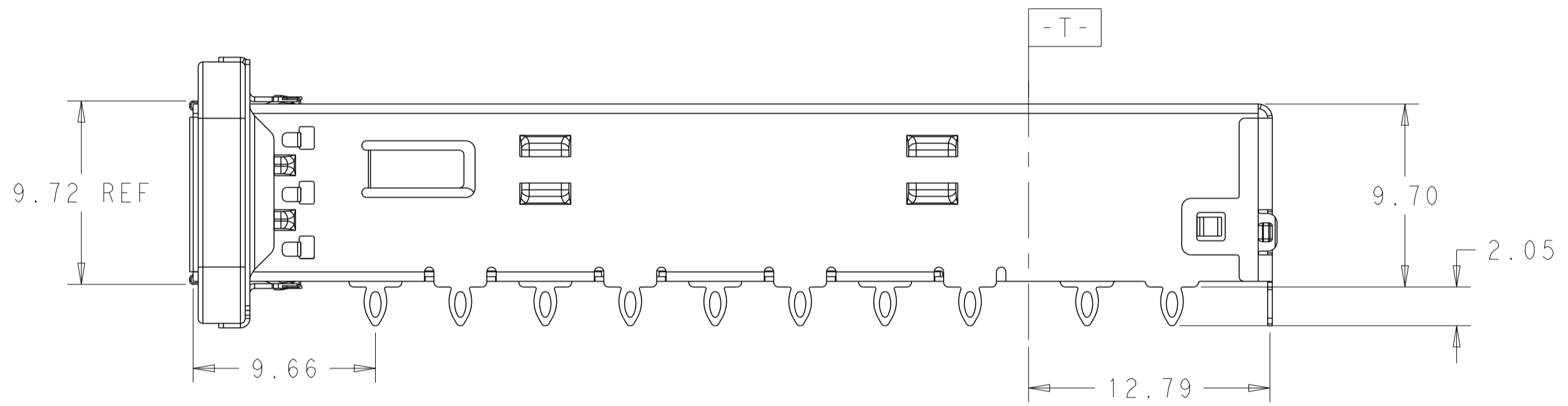
SCALE 4:1



- MATERIAL:
 CAGE MATERIAL : 0.25 THICK NICKEL SILVER.
 SPRING MATERIAL: COPPER ALLOY
 EMI GASKET: PLATED FILLED SILICONE
 - FINISH:
 SPRING: NICKEL PLATING
 - MATES WITH QSFP28 MSA COMPATIBLE TRANSCEIVER.
- ⚠ REFERENCE APPLICATION SPEC 114-32023 FOR RECOMMENDED DRILL HOLE DIAMETER AND PLATING THICKNESS.
- ⚠ DATUM AND BASIC DIMENSIONS ESTABLISHED BY CUSTOMERS.
- MINIMUM PC BOARD THICKNESS :
 SINGLES SIDED: 1.57 MIN
 DOUBLE SIDED: 3.00 MIN
- ⚠ DATUM **-A-** IS TOP SURFACE OF THE HOST BOARD.
- ⚠ DATE CODE (YYWWD) MARKED APPROXIMATELY AS SHOWN



SCALE 4:1



0	WITH	2170752-7
1	WITH	2170752-6
0	WITHOUT	2170752-5
1	WITHOUT	2170752-4
2	WITH	2170752-2
2	WITHOUT	2170752-1
# REAR PINS HEAT SINK OPEN		PART NUMBER

2170752-1 AS SHOWN

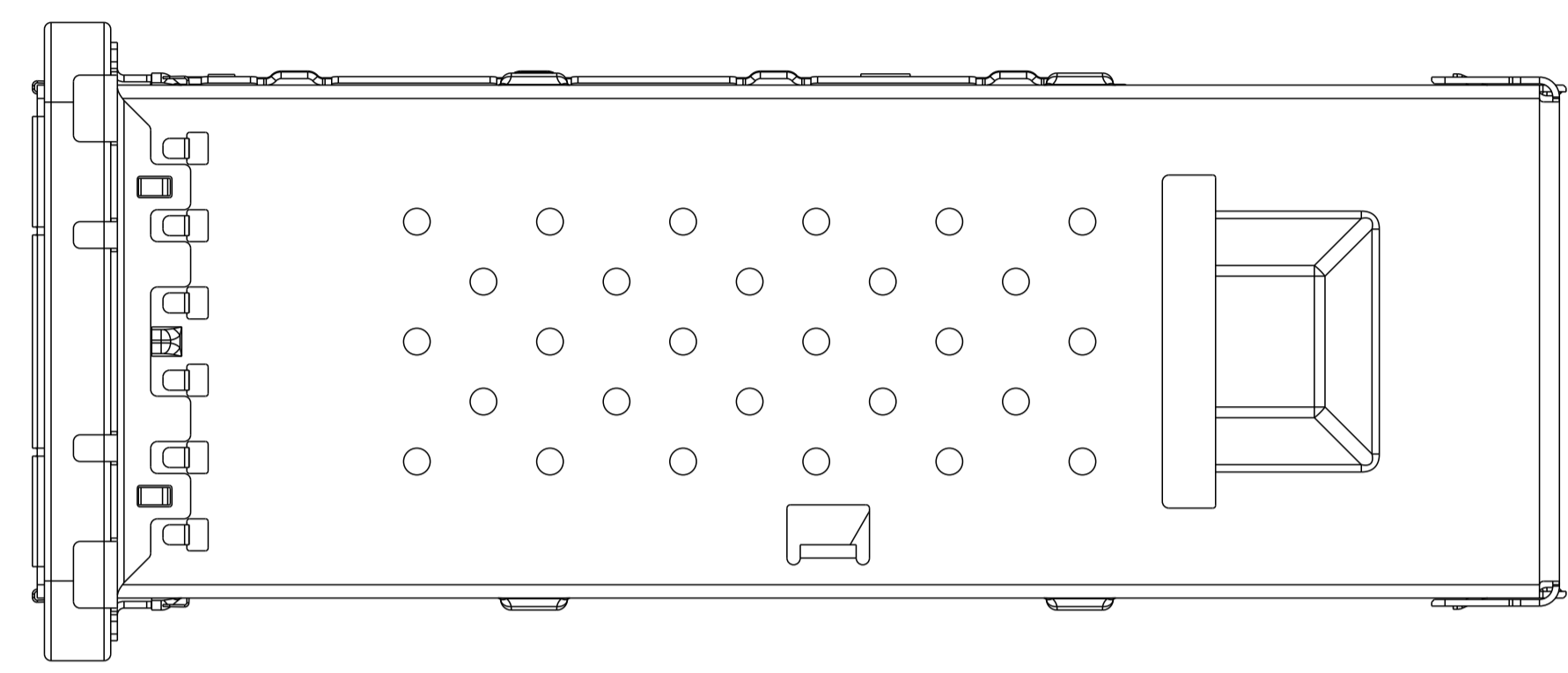
THIS DRAWING IS A CONTROLLED DOCUMENT.

DIMENSIONS:	TOLERANCES UNLESS OTHERWISE SPECIFIED:	DWN: JASON YANG 01APR2014	CHK: SEAN HAN 30DEC2015	NAME: CAGE ASSEMBLY, QSFP28 1X1, THRU BEZEL WITH EMI GASKET
mm	0 PLC ±0.25 1 PLC ±0.25 2 PLC ±0.25 3 PLC ±0.100 4 PLC ± ANGLES ±°	APVD: SEAN HAN	PRODUCT SPEC: 108-19428	SIZE: A1
MATERIAL:	FINISH:	APPLICATION SPEC: 114-32023	RESTRICTED TO: -	SCALE: 2:1
CUSTOMER DRAWING		WEIGHT: -	REVISION: A1	SHEET 1 OF 5

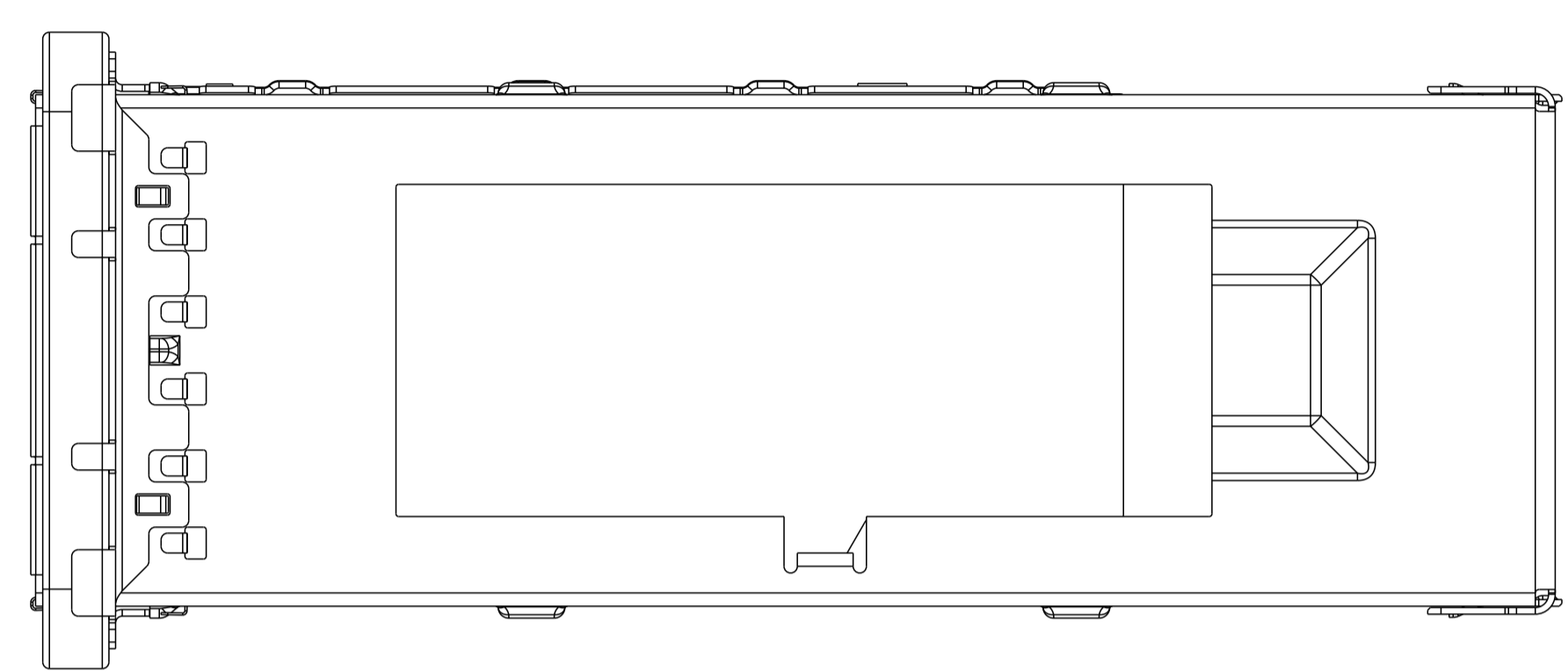
4805 (3/11)

LOC	DIST	REVISIONS			
P	LTN	DESCRIPTION	DATE	DMN	APVD
rev_sym_1	1866	8H6E111	rev_defect	y_dmn	lapp_r
rev_sym_2	rev_desc_2		rev_defect	y_dmn	lapp_r
rev_sym_3	rev_desc_3		rev_defect	y_dmn	lapp_r
rev_sym_4	rev_desc_4		rev_defect	y_dmn	lapp_r

HEAT SINK OPEN OPTIONS

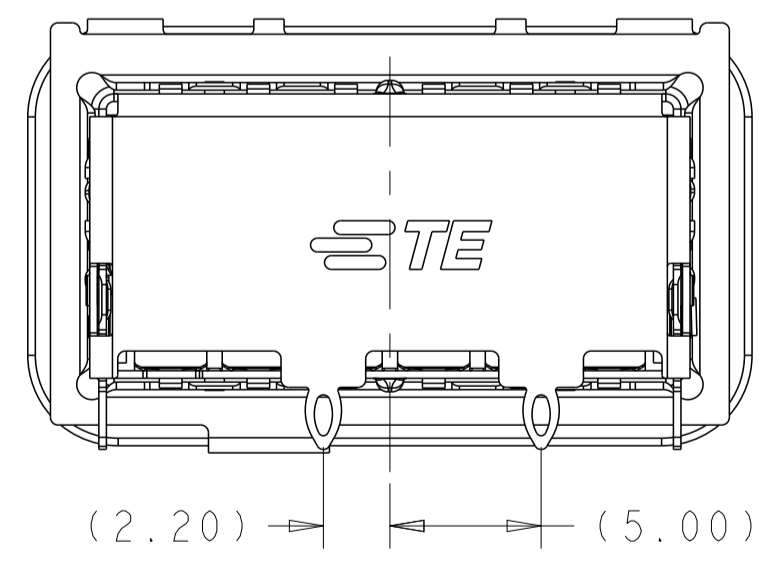


WITHOUT HEAT SINK OPEN
SCALE 4:1

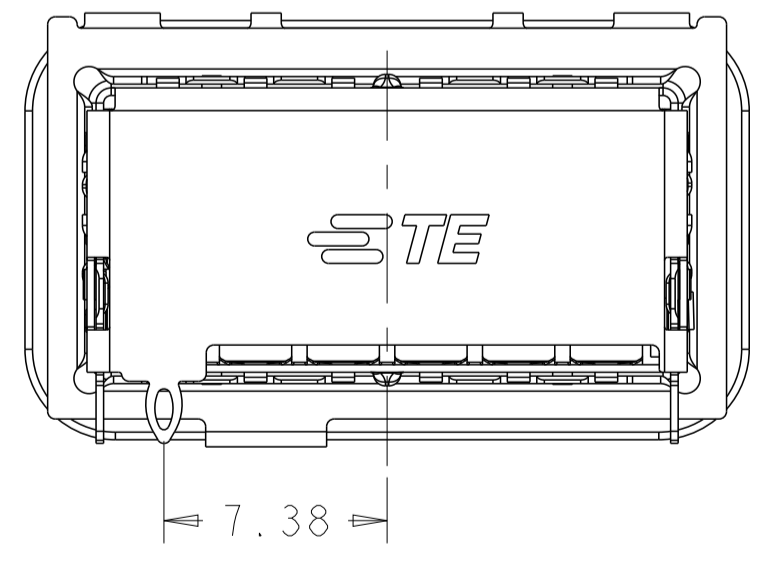


WITH HEAT SINK OPEN
SCALE 4:1

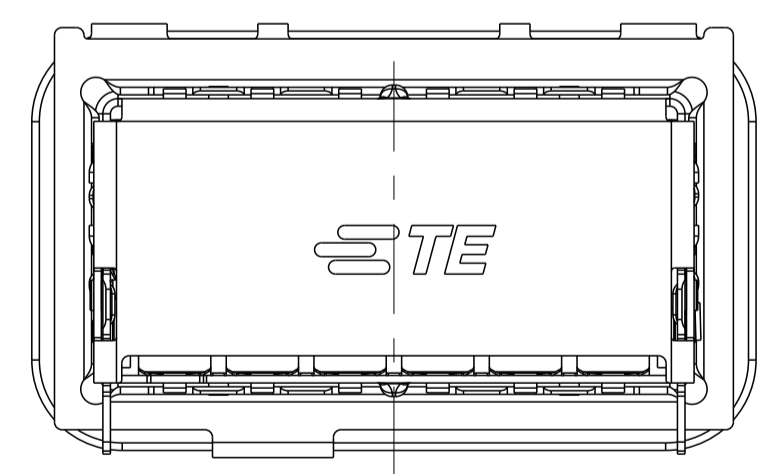
OF REAR LEGS OPTIONS



2 REAR LEGS VERSION
SCALE 4:1



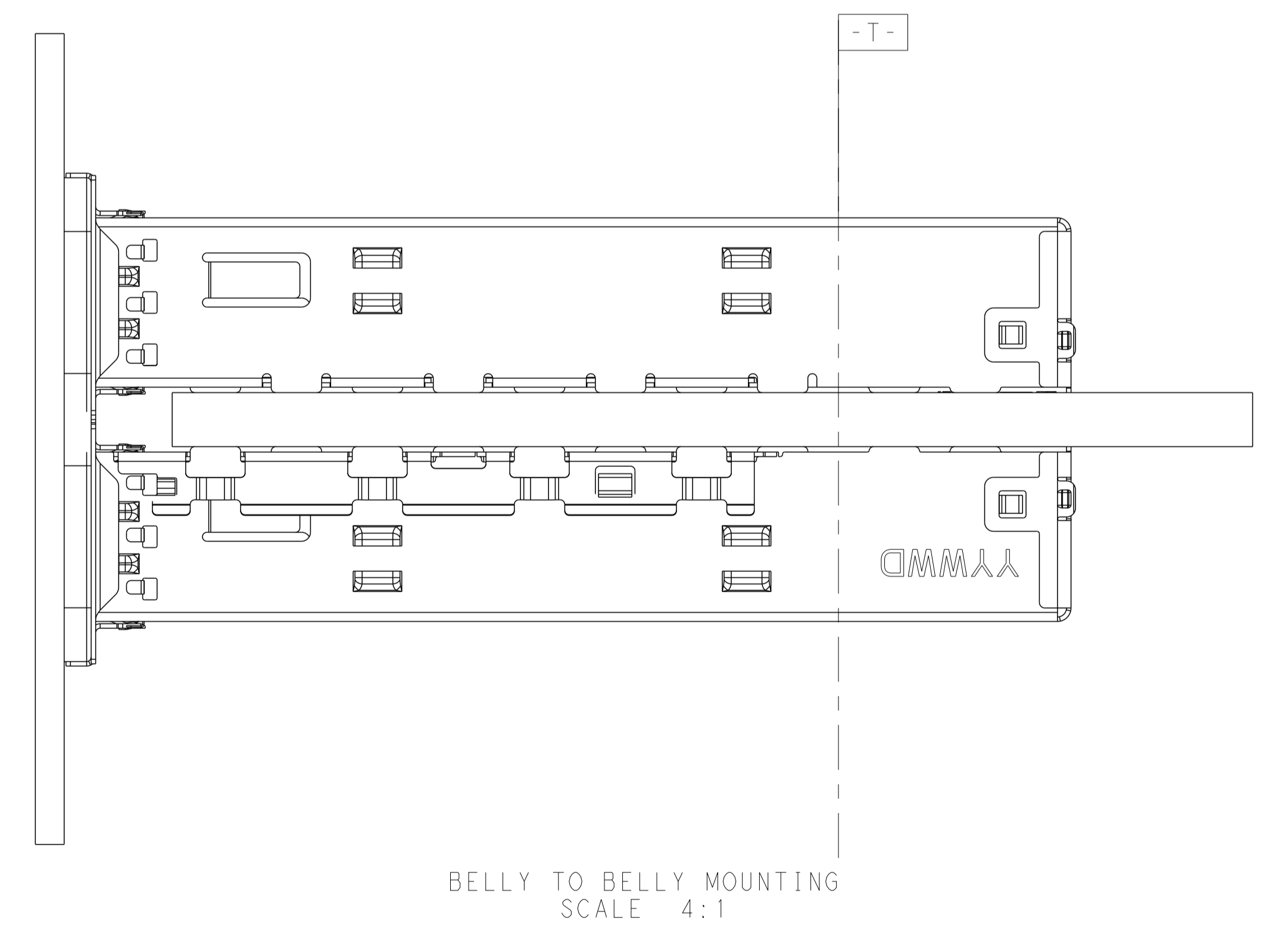
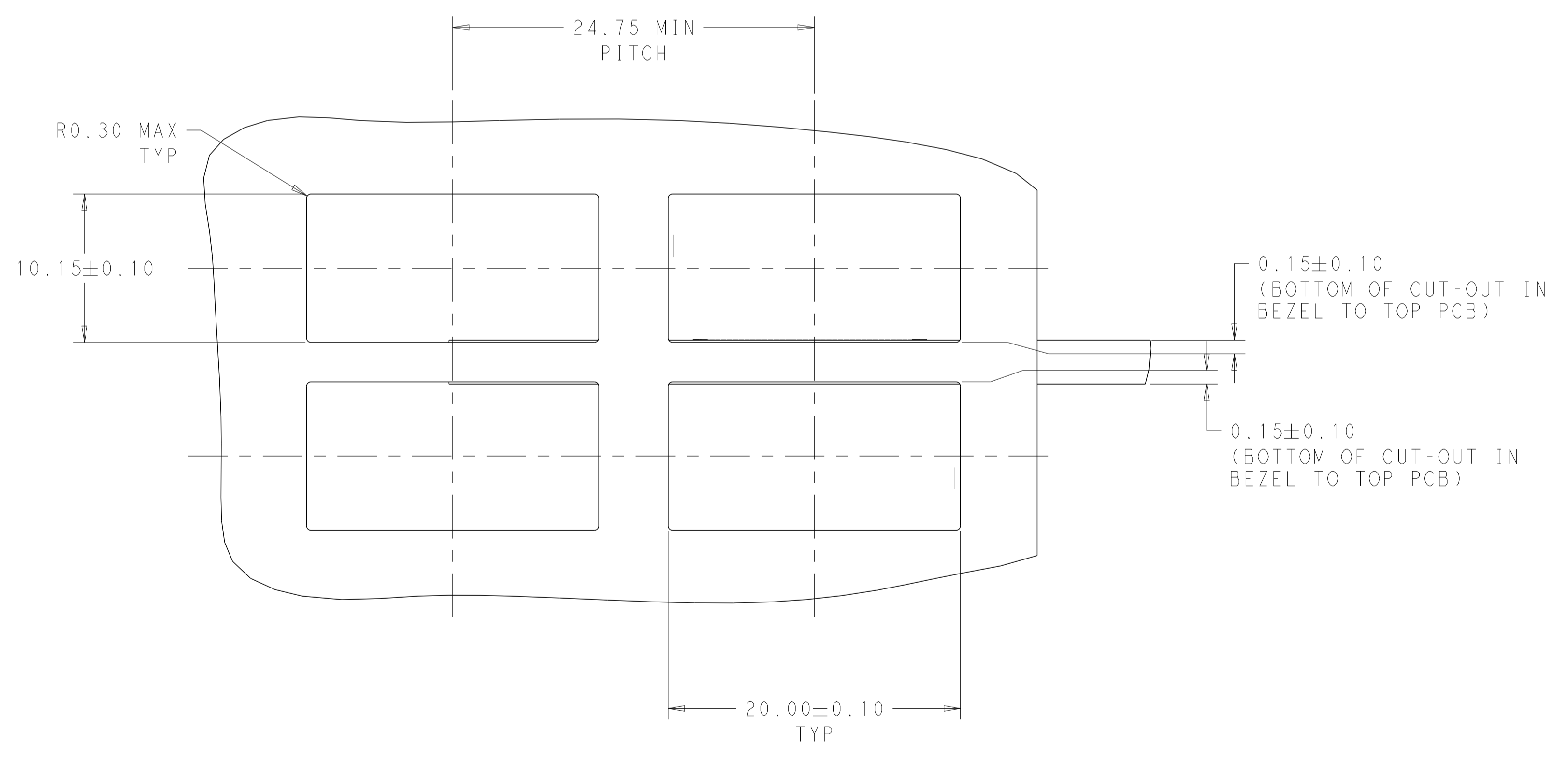
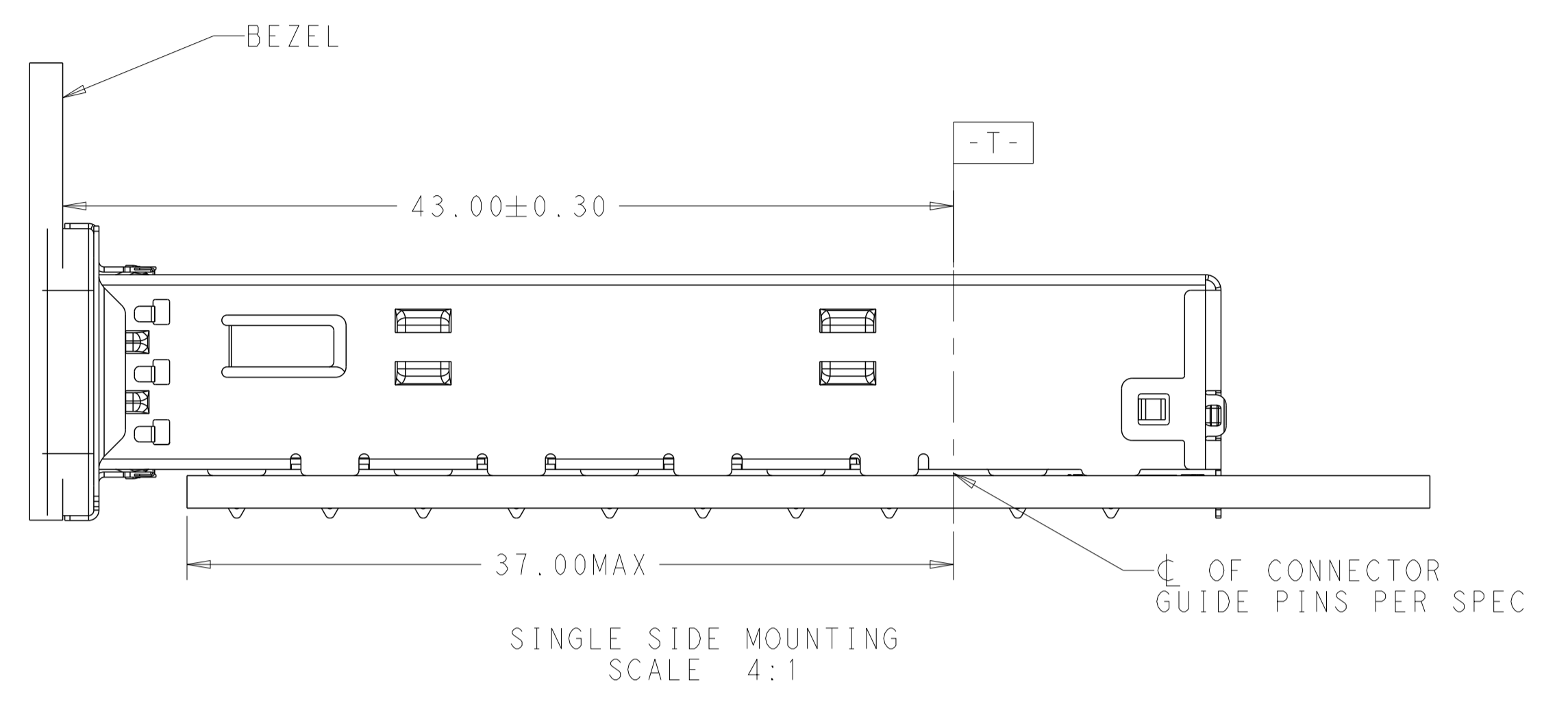
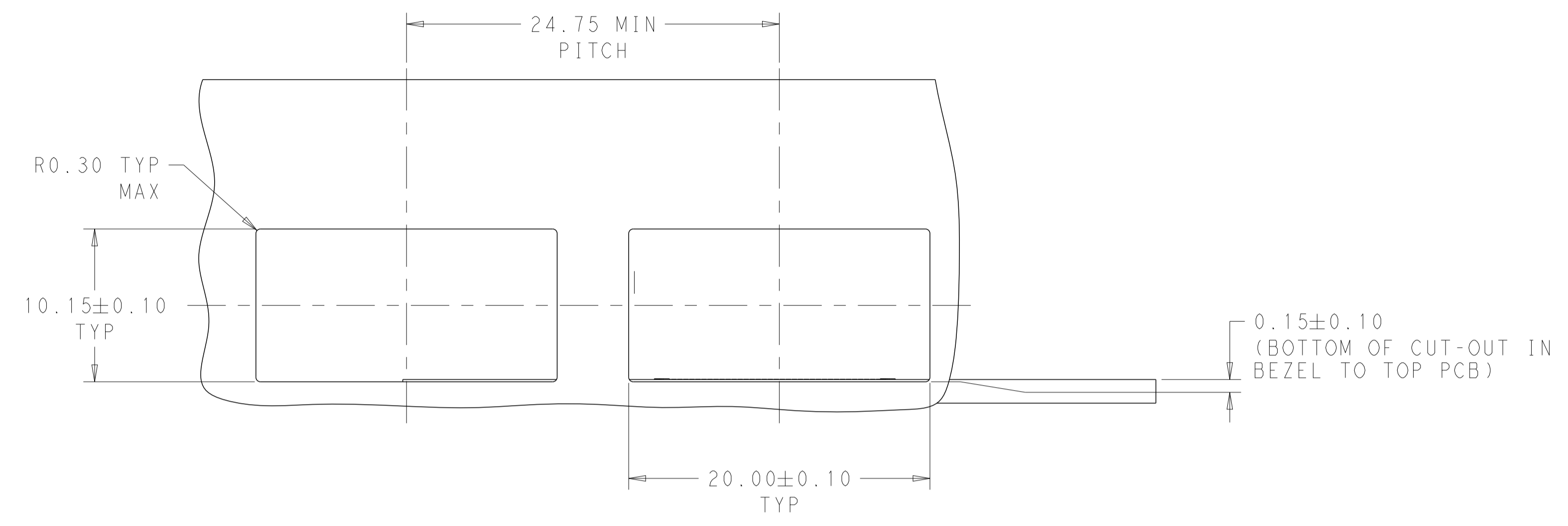
1 REAR LEG VERSION
SCALE 4:1



0 REAR LEG VERSION
SCALE 4:1

THIS DRAWING IS A CONTROLLED DOCUMENT.		DMN: JASON YANG 01APR2014	TE Connectivity
		CHK: SEAN HAN 30DEC2015	
DIMENSIONS:		NAME: CAGE ASSEMBLY, QSFP28 1X1, THRU BEZEL WITH EMI GASKET	
TOLERANCES UNLESS OTHERWISE SPECIFIED:		PRODUCT SPEC: 108-19428	
MATERIAL:		APPLICATION SPEC:	
FINISH:		SIZE: A100779C=2170752	
		RESTRICTED TO:	
		Customer Drawing	
		SCALE: 4:1	SHEET 2 OF 5 REV A1

LOC	DIST	REVISIONS			
P	LTN	DESCRIPTION	DATE	DWN	APVD
rev_sym_1	1866_8H6E111			rev.defect	dev.apppr
rev_sym_2	rev_desc_2			rev.defect	dev.apppr
rev_sym_3	rev_desc_3			rev.defect	dev.apppr
rev_sym_4	rev_desc_4			rev.defect	dev.apppr



THIS DRAWING IS A CONTROLLED DOCUMENT.

DWN: JASON YANG 01APR2014
 CHK: SEAN HAN 30DEC2015

TE Connectivity

NAME: CAGE ASSEMBLY, QSFP28 1X1, THRU BEZEL WITH EMI GASKET

PRODUCT SPEC: 108-19428

APPLICATION SPEC: 114-32023

SIZE: A1 CAGE CODE: 00779 DRAWING NO: 2170752

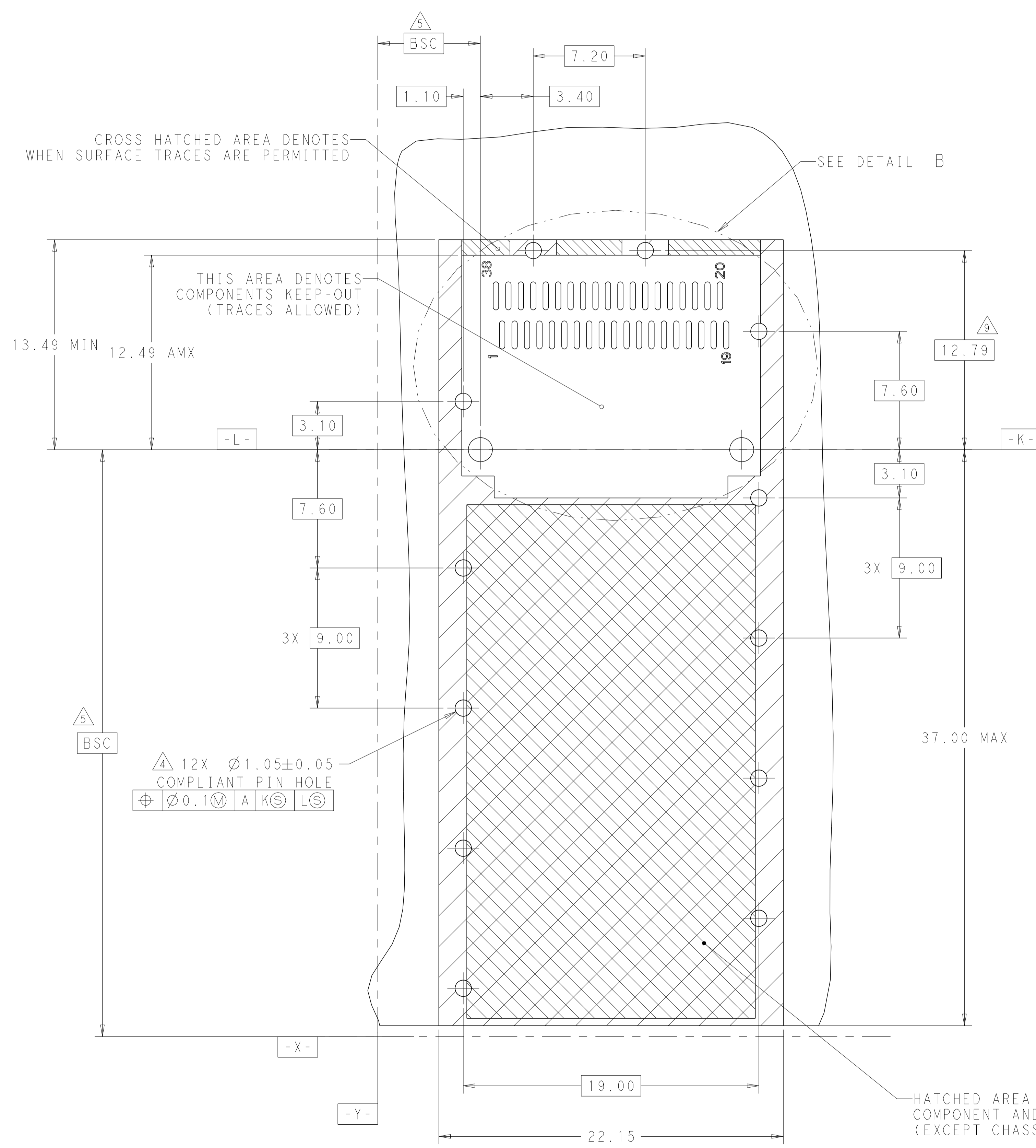
RESTRICTED TO: -

MATERIAL: - FINISH: - WEIGHT: -

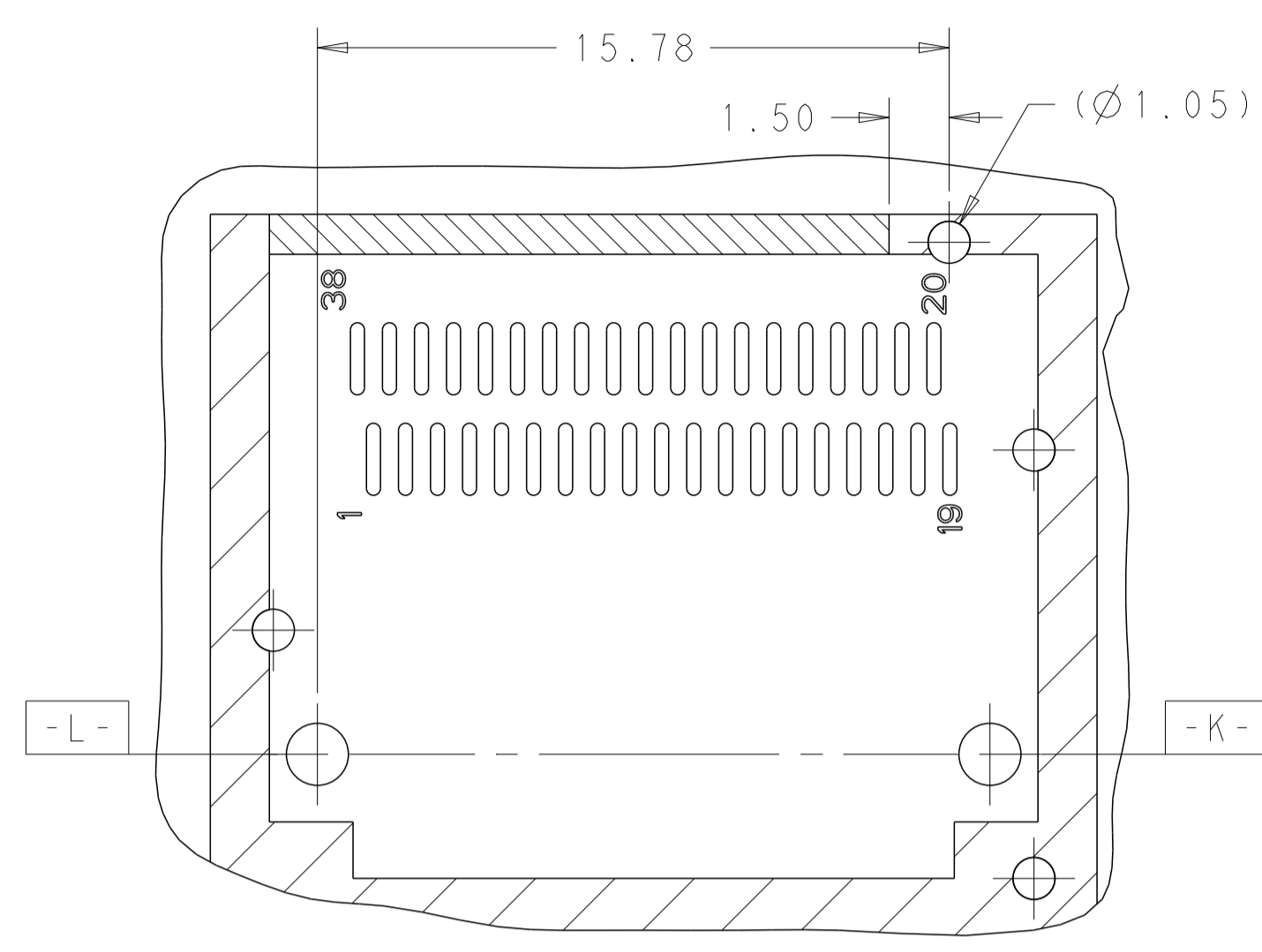
Customer Drawing

SCALE: 4:1 SHEET: 3 OF 5 REV: A1

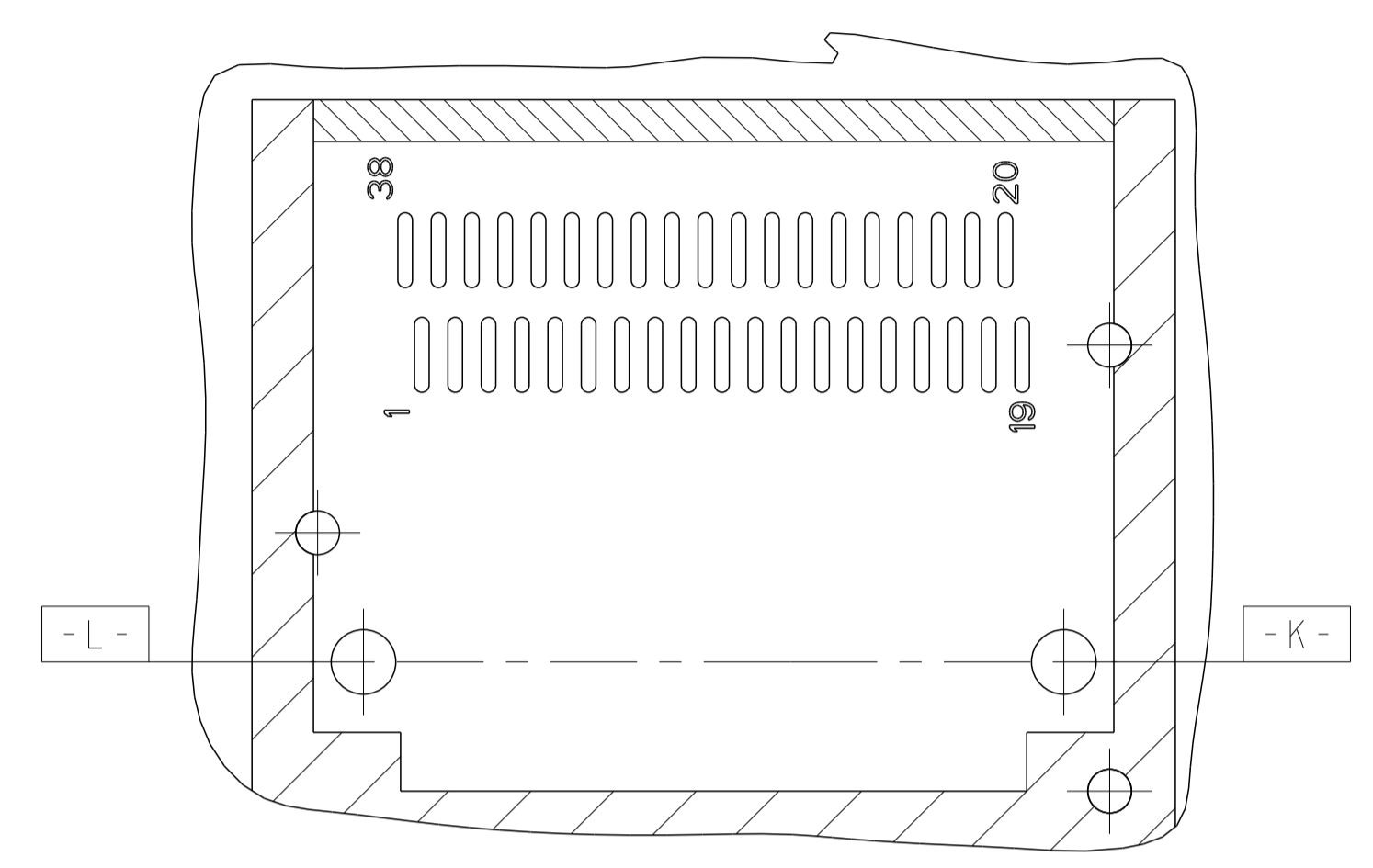
LOC	DIST	REVISIONS	DATE	DMN	APVD
		rev_sym_1866_8H6E111		rev_defect	dmn_bppr_1
		rev_sym_2rev_desc_2		rev_defect	dmn_bppr_2
		rev_sym_3rev_desc_3		rev_defect	dmn_bppr_3
		rev_sym_4rev_desc_4		rev_defect	dmn_bppr_4



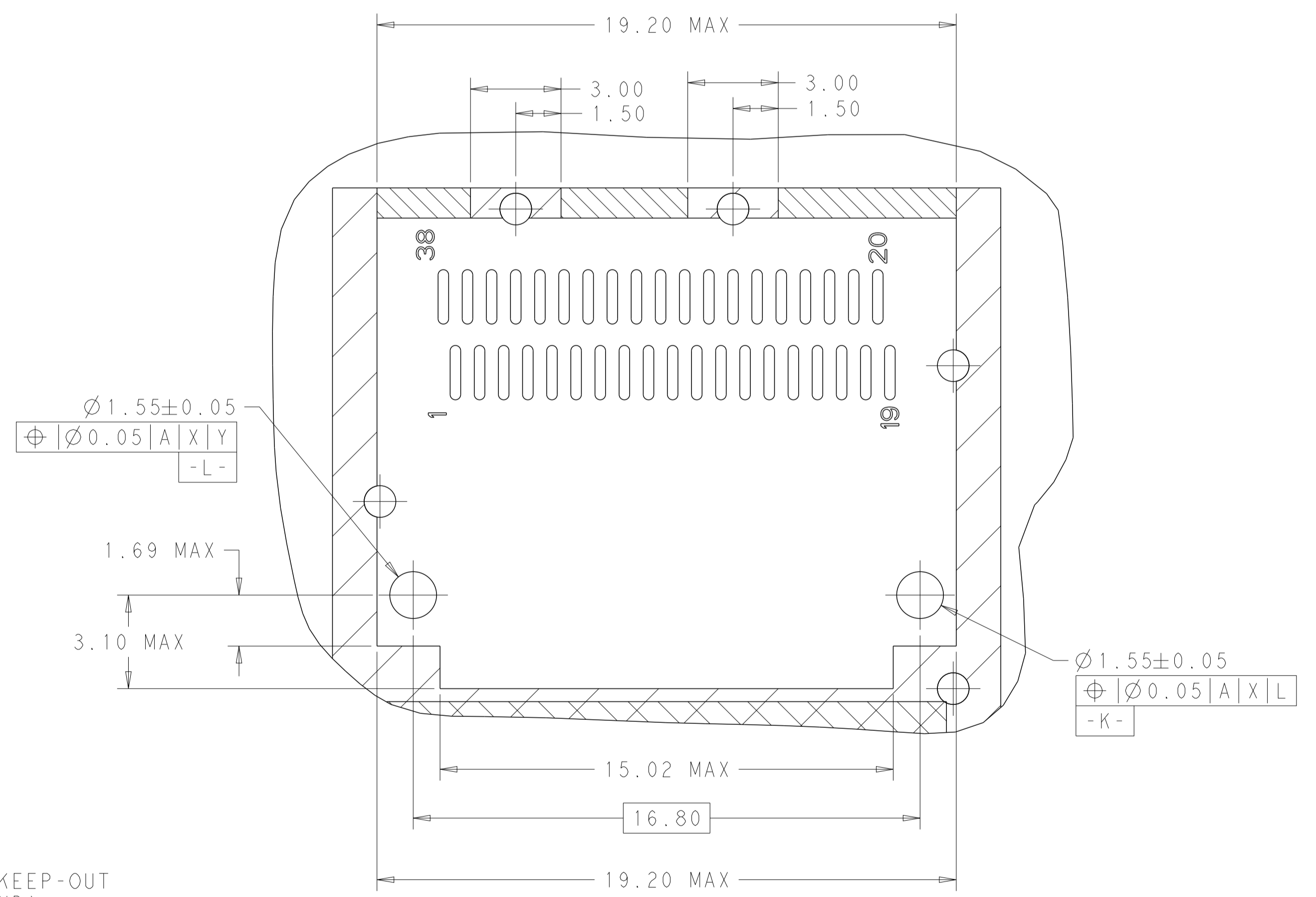
RECOMMENDED PCB LAYOUT
 SINGLE TYPE OF 2 REAR HOLES OF LEGS
 PCB TOLERANCE: ± 0.05
 SCALE 6:1



RECOMMENDED PCB LAYOUT
 SINGLE TYPE OF 1 REAR HOLES OF LEGS
 PCB TOLERANCE: ± 0.05
 SCALE 6:1



RECOMMENDED PCB LAYOUT
 SINGLE TYPE OF 0 REAR HOLES OF LEGS
 PCB TOLERANCE: ± 0.05
 SCALE 6:1

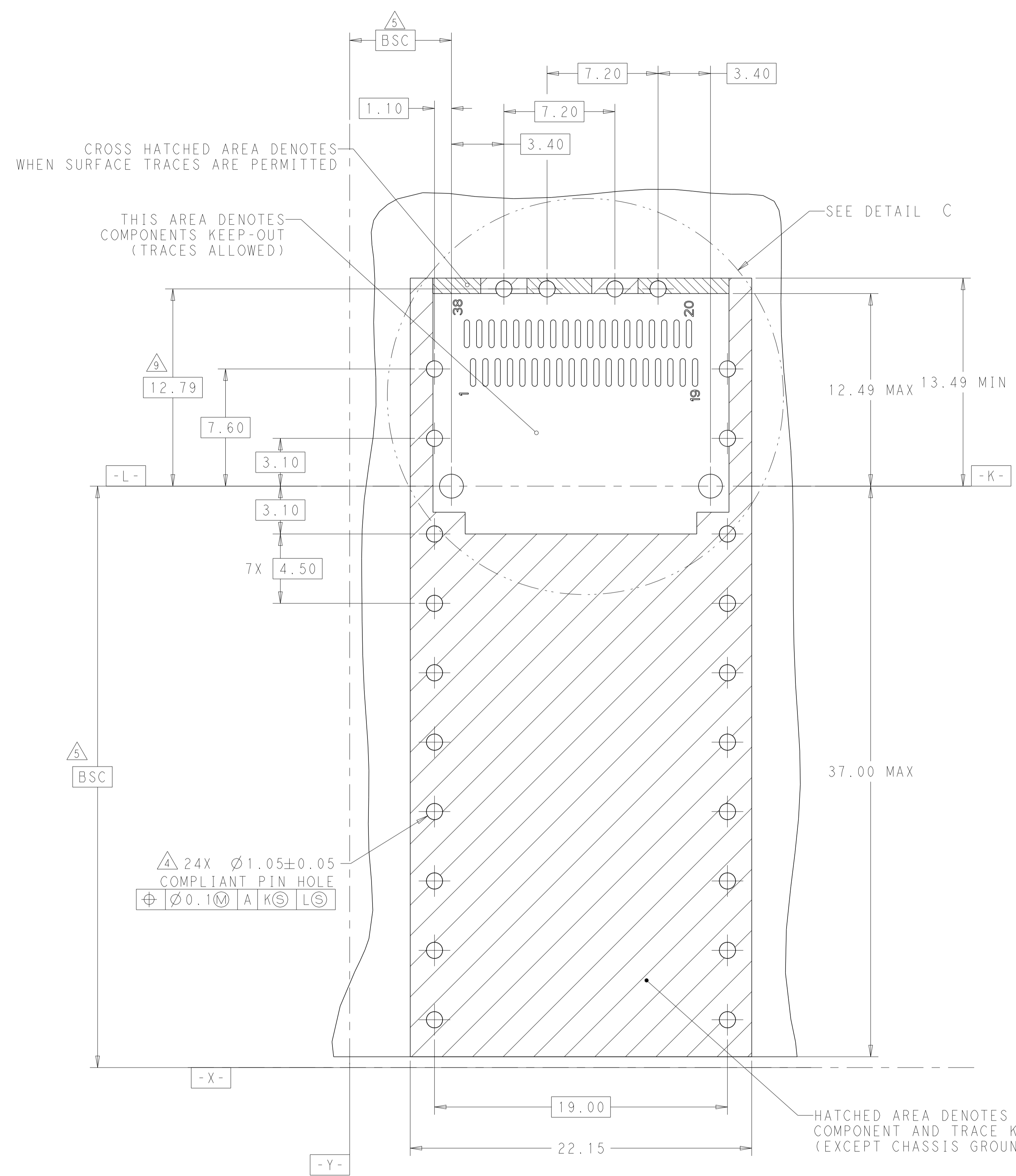


DETAIL B
 SCALE 8:1

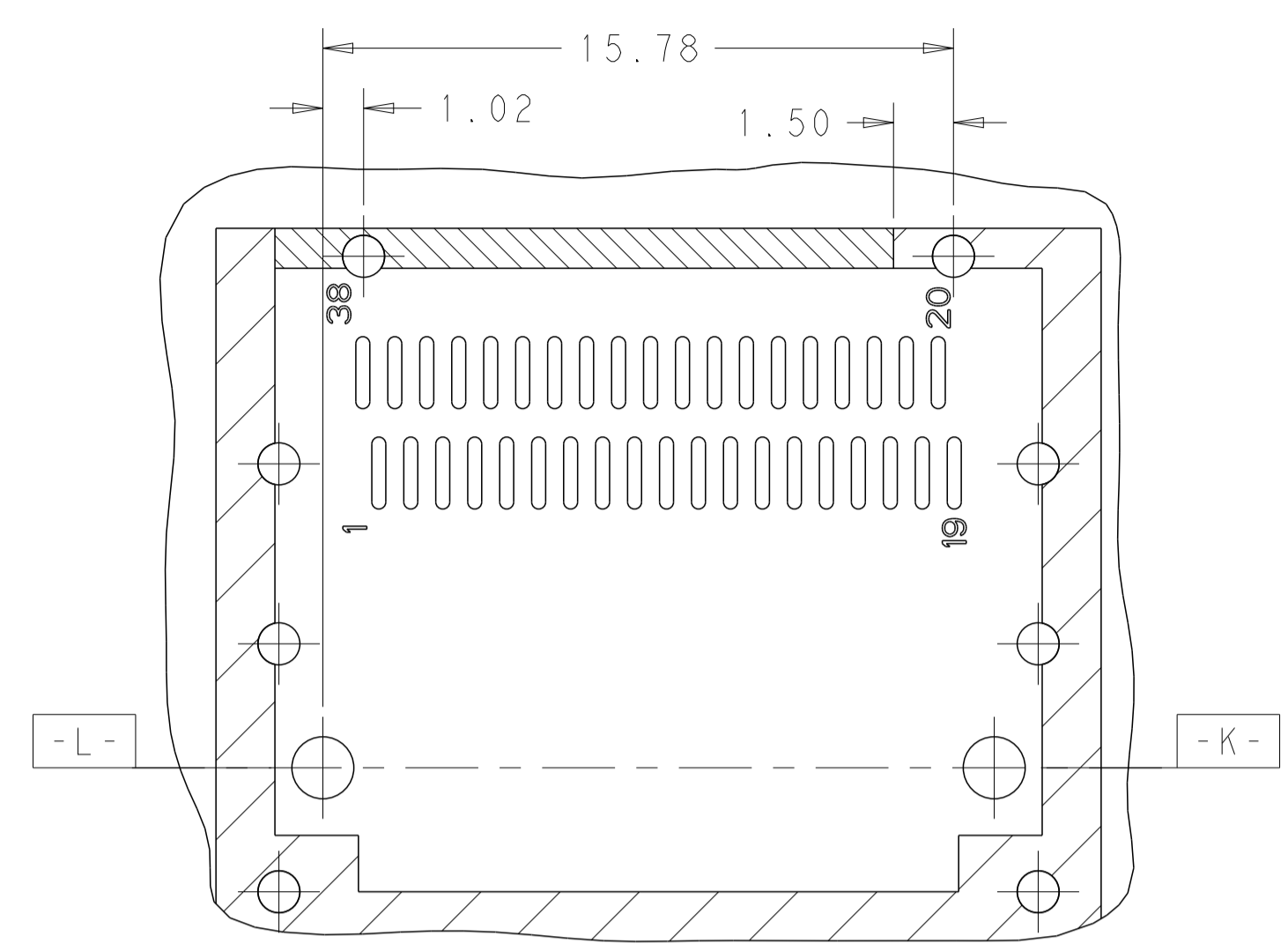
HATCHED AREA DENOTES COMPONENT AND TRACE KEEP-OUT (EXCEPT CHASSIS GROUND)

THIS DRAWING IS A CONTROLLED DOCUMENT.		DMN: JASON YANG 01APR2014	TE Connectivity
DIMENSIONS: mm		CHK: SEAN HAN 30DEC2015	
TOLERANCES UNLESS OTHERWISE SPECIFIED:		APVD:	NAME: CAGE ASSEMBLY, QSFP28 1X1, THRU BEZEL WITH EMI GASKET
0 PLC ± 0.25	1 PLC ± 0.25	PRODUCT SPEC: 108-19428	SIZE: A1
2 PLC ± 0.20	3 PLC ± 0.20	APPLICATION SPEC: 114-32023	CAGE CODE: 2170752
4 PLC ± 0.100	ANGLES \pm	WEIGHT:	RESTRICTED TO:
MATERIAL:	FINISH:	Customer Drawing	SCALE: 4:1 SHEET 4 OF 5 REV: A1

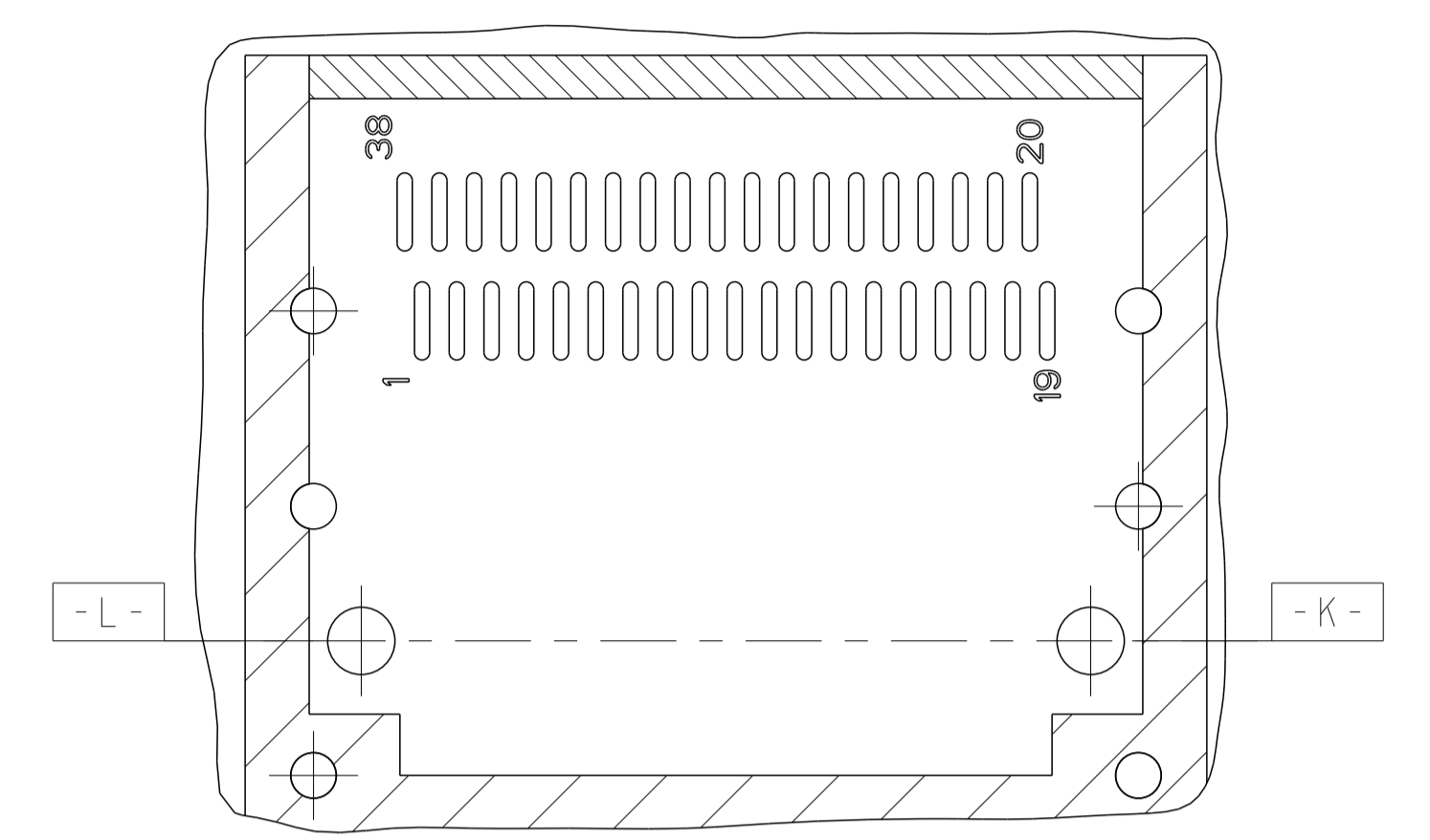
LOC	DIST	REVISIONS	DATE	DWN	APVD
		rev_sym_1866_8H6E111		rev_defect	den_apppr
		rev_sym_2rev_desc_2		rev_defect	den_apppr
		rev_sym_3rev_desc_3		rev_defect	den_apppr
		rev_sym_4rev_desc_4		rev_defect	den_apppr



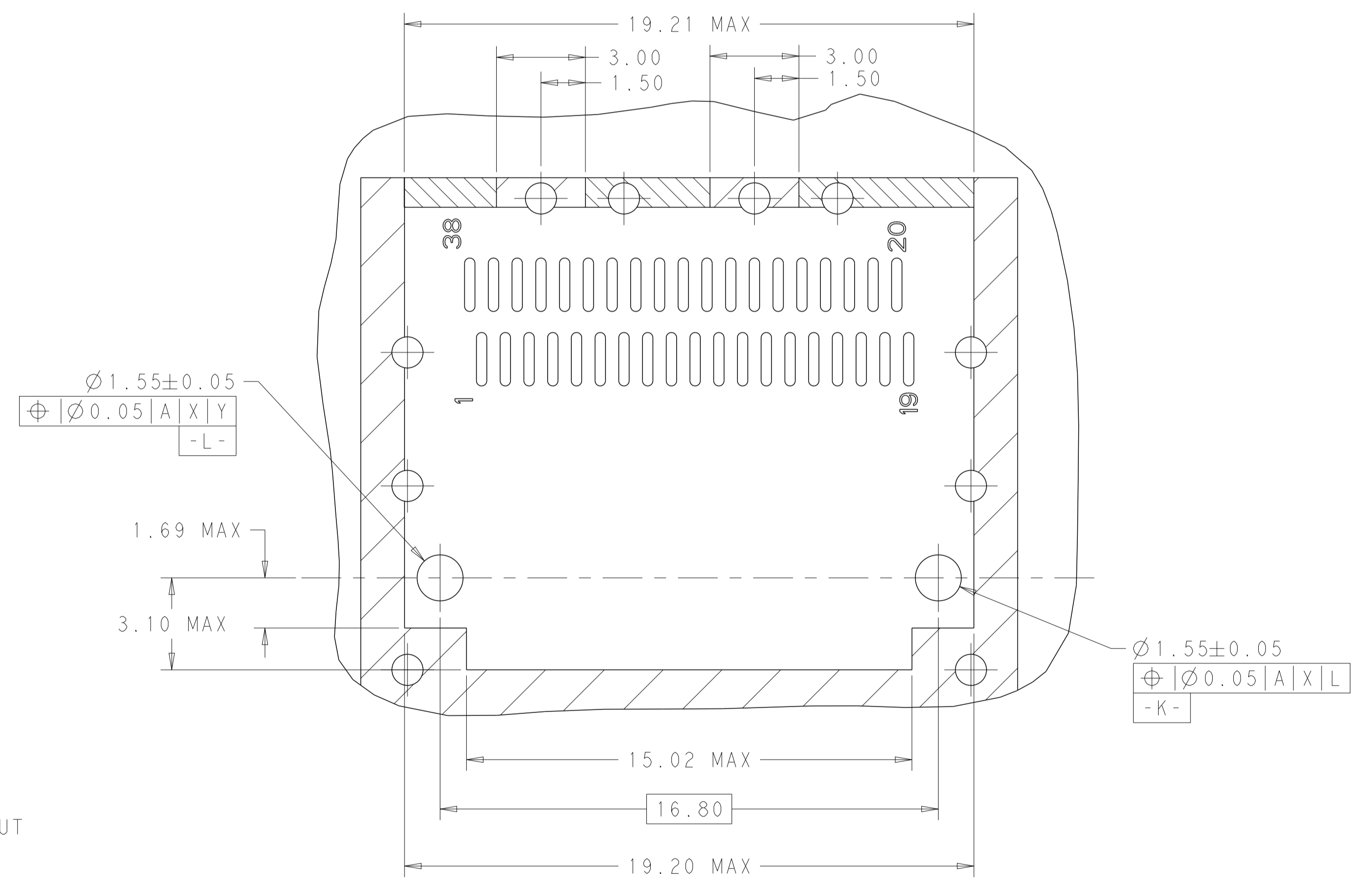
RECOMMENDED PCB LAYOUT
 BELLY TO BELLY TYPE OF 2 REAR HOLES OF LEGS
 PCB TOLERANCE: ±0.05
 SCALE 6:1



RECOMMENDED PCB LAYOUT
 BELLY TO BELLY TYPE OF 1 REAR HOLES OF LEGS
 PCB TOLERANCE: ±0.05
 SCALE 6:1



RECOMMENDED PCB LAYOUT
 BELLY TO BELLY TYPE OF 0 REAR HOLES OF LEGS
 PCB TOLERANCE: ±0.05
 SCALE 6:1



DETAIL C
 SCALE 8:1

THIS DRAWING IS A CONTROLLED DOCUMENT.		DWN: JASON YANG 01APR2014	TE Connectivity
DIMENSIONS: mm		CHK: SEAN HAN 30DEC2015	
TOLERANCES UNLESS OTHERWISE SPECIFIED:		APVD: -	NAME: CAGE ASSEMBLY, QSFP28 1X1, THRU BEZEL WITH EMI GASKET
0 PLC	±0.25	PRODUCT SPEC	108-19428
1 PLC	±0.25	APPLICATION SPEC	114-32023
2 PLC	±0.20	SIZE	A100779
3 PLC	±0.100	CAGE CODE	C=2170752
4 PLC	±	DRAWING NO	2170752
ANGLES	±	RESTRICTED TO	-
MATERIAL	-	WEIGHT	-
FINISH	-	Customer Drawing	SCALE 4:1 SHEET 5 OF 5 REV A1