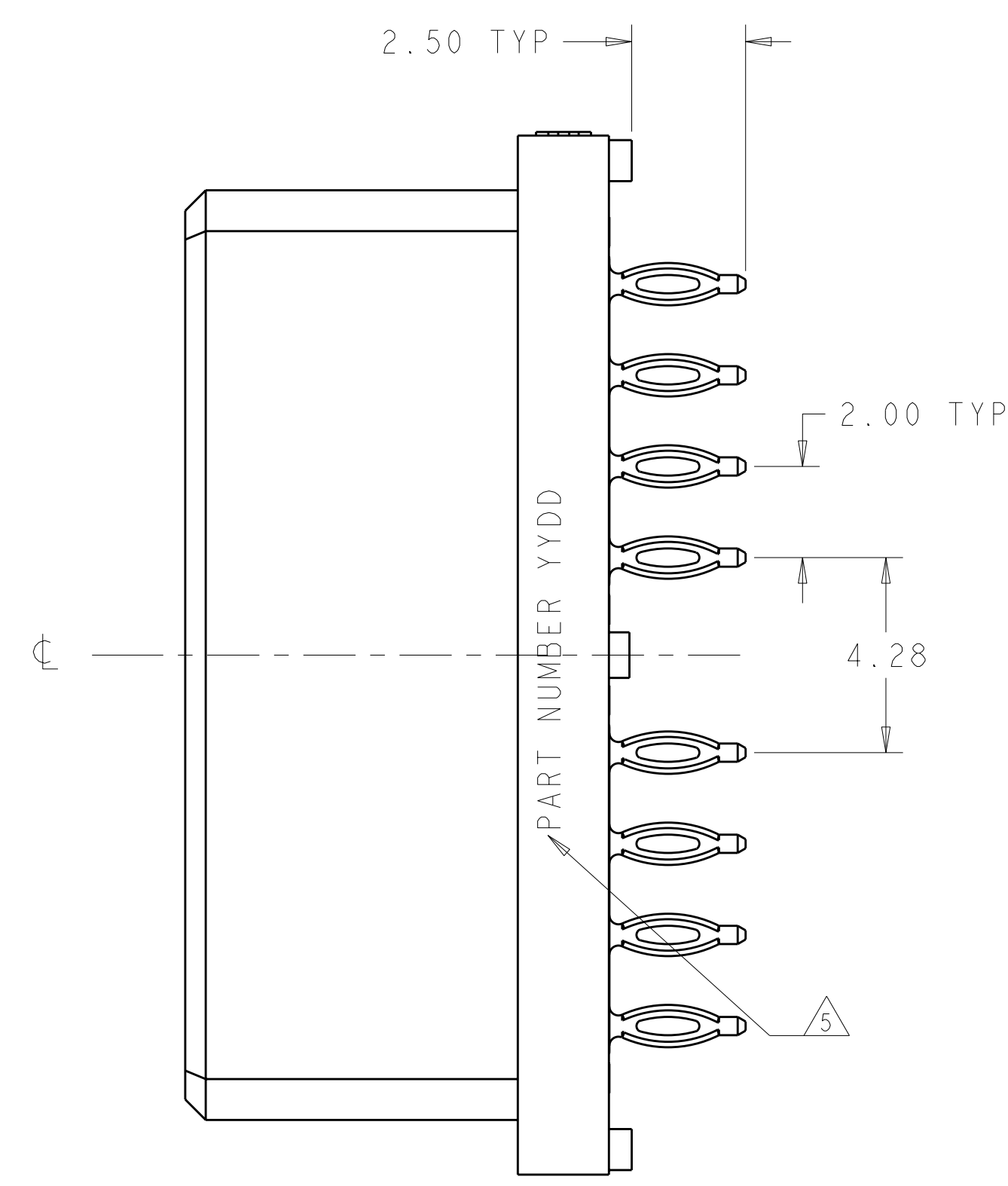
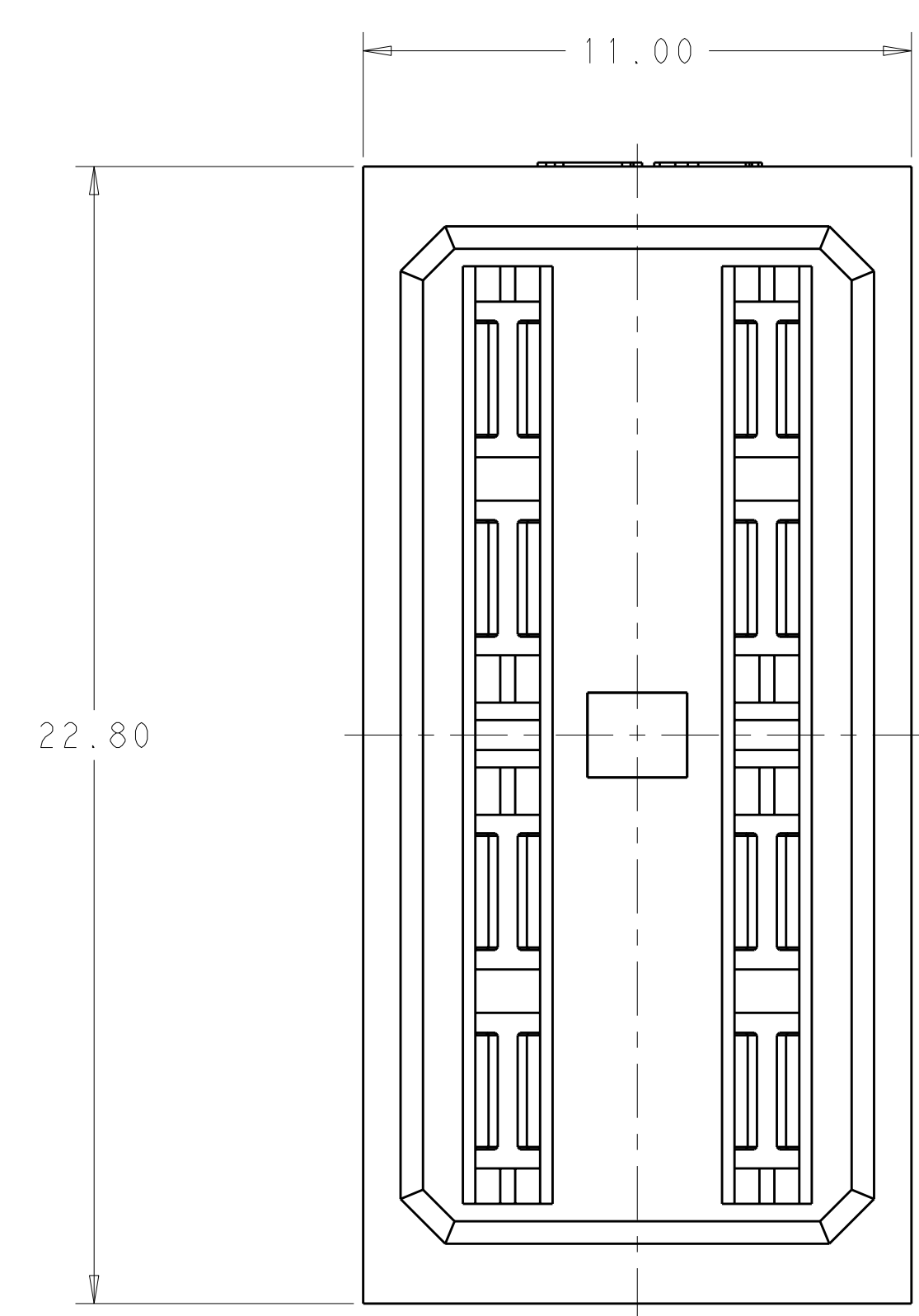
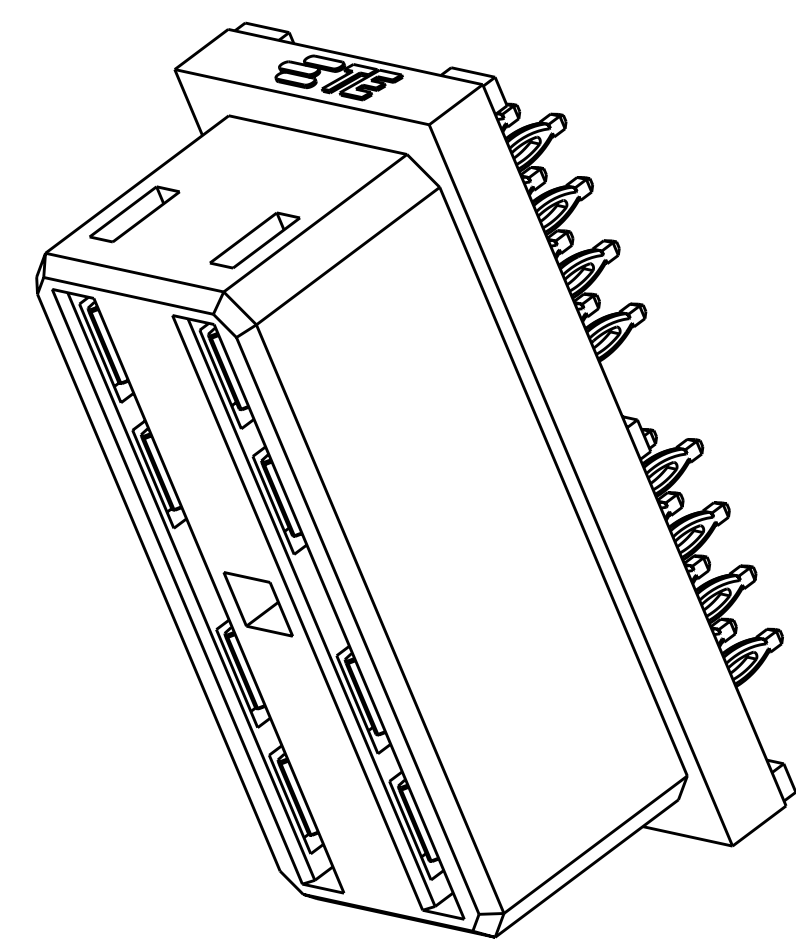
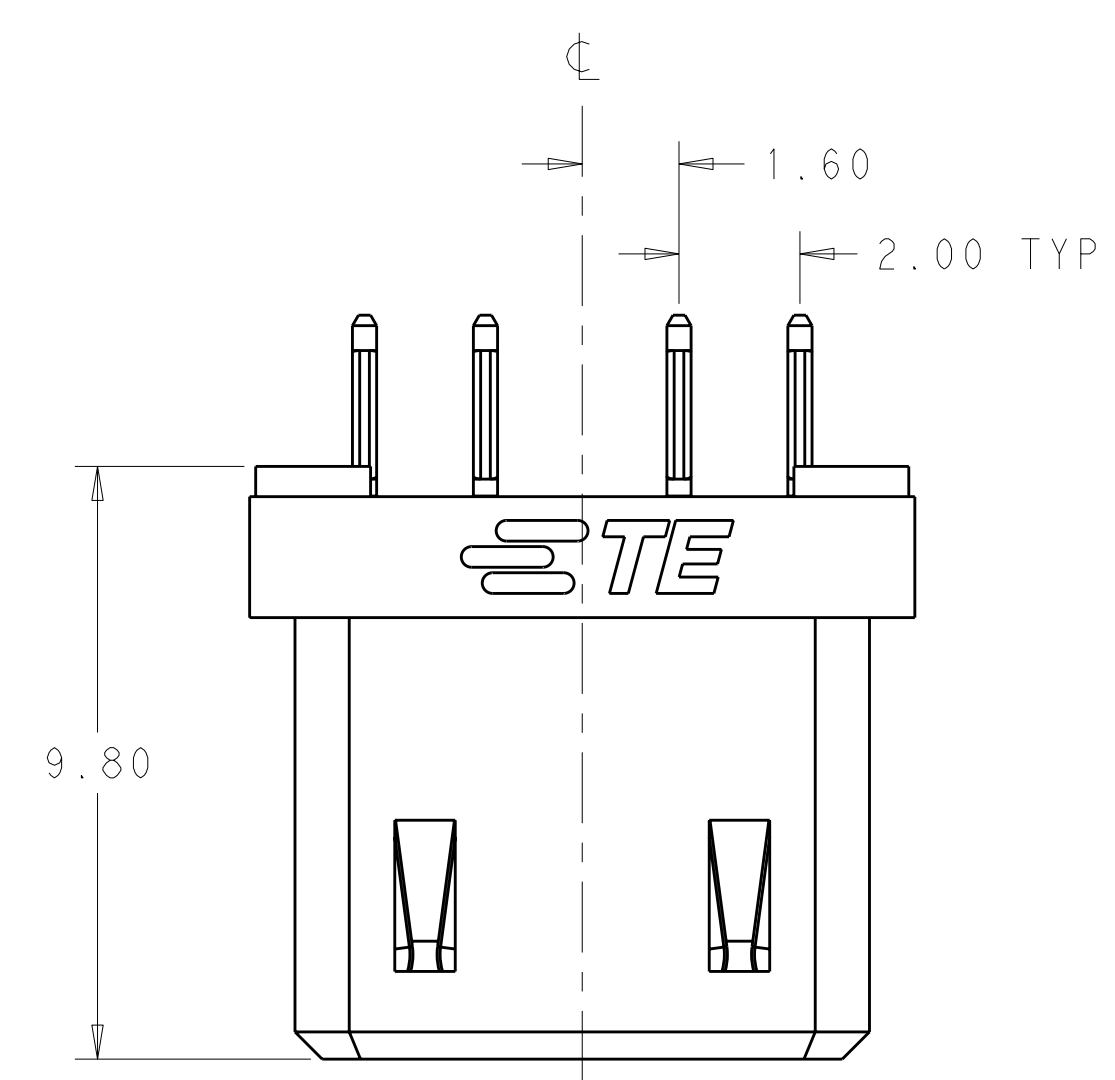


LOC	DIST	REV	DATE	BY	APPD
1	1	1	21MAR2011	AY	JHC



NOTES:

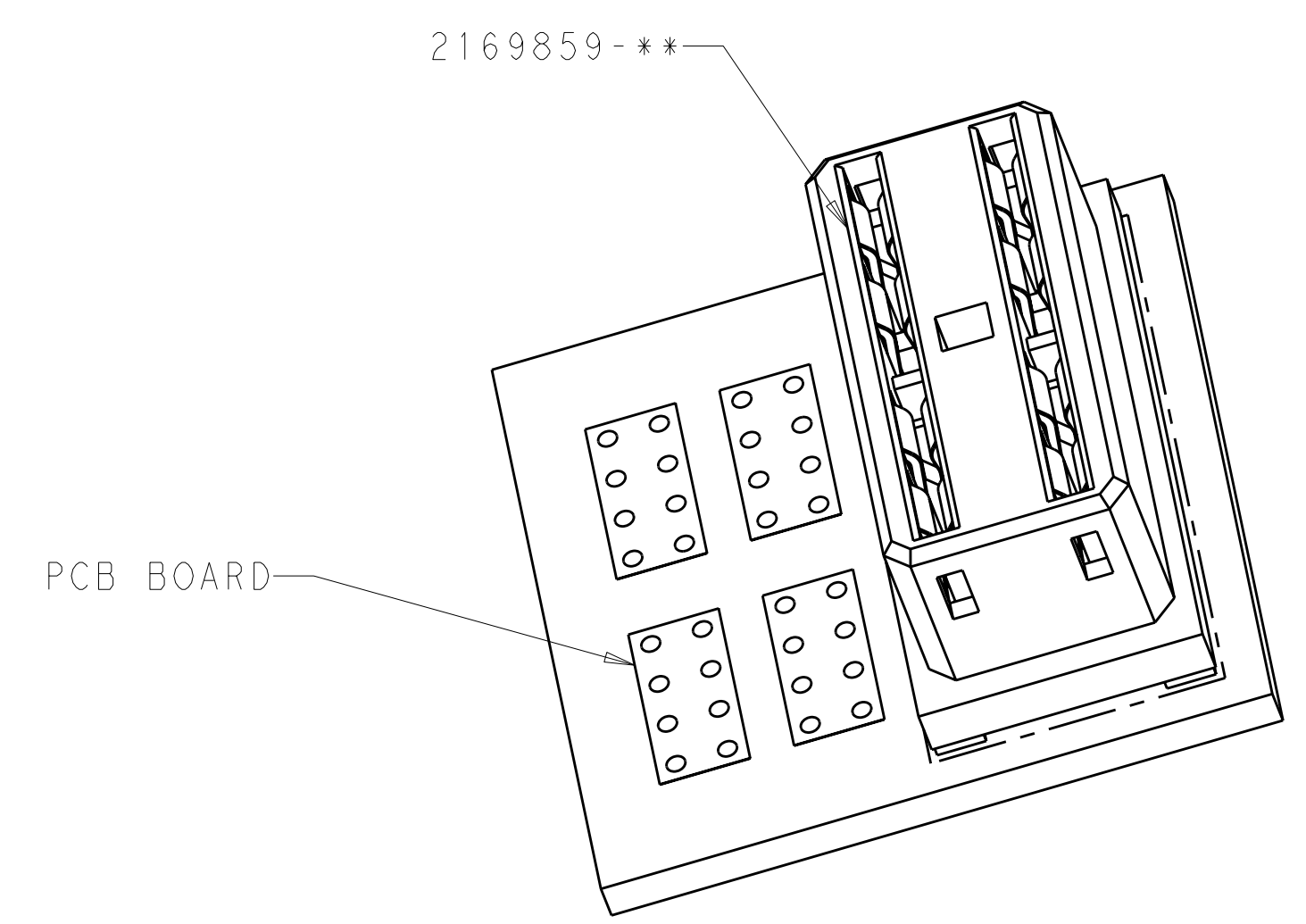
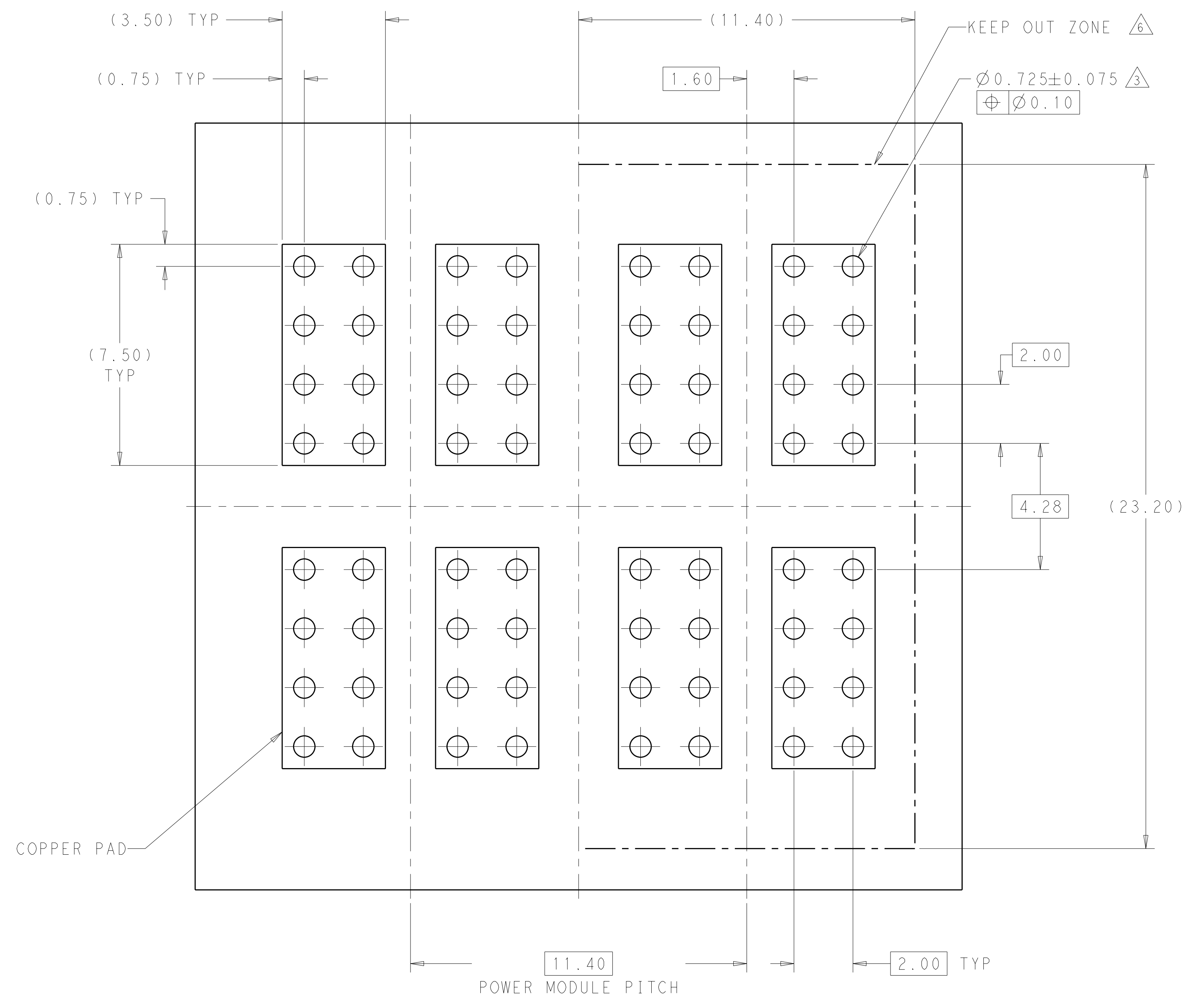
1. MATERIALS:
 HOUSING: HIGH TEMP, THERMOPLASTIC GLASS/MINERAL FILLED UL94V-0.
 CONTACT: COPPER ALLOY
2. FINISH OPTION
 TIN OPTION: GOLD AT CONTACT AREA AND NICKEL UNDERPLATE OVER ALL TIN AT TAIL AREA.
 TIN-LEAD OPTION: GOLD AT CONTACT AREA AND NICKEL UNDERPLATE OVER ALL TIN-LEAD AT TAIL AREA.
3. PCB NOTE FOR DIAMETER 0.725mm PLATED HOLE.
 -DRILLED HOLE SIZE IS 0.838mm
 -PLATED WITH 0.007mm MIN. TIN OVER.
 0.03 TO 0.08mm COPPER UNDERPLATE TO ACHIEVE 0.725±0.075mm HOLE.
4. MATES WITH 2169869-***.
5. PART NUMBER AND DATE CODE AT ASSEMBLY AREA AS APPROXIMATE SHOWN.
6. KEEP OUT ZONE FROM OTHER COMPONENTS.

DESIGN APPROVED THIS PRINT IS
PRELIMINARY
 TO FIRST PIECE APPROVAL
 CONTACT PRODUCT ENGINEERING
 BEFORE USING THIS PRINT

TRAY	TIN-LEAD PLATING	5-2169859-1
	TIN PLATING	2169859-1
PACKAGING	△ PLATING OPTION	PART NUMBER

THIS DRAWING IS A CONTROLLED DOCUMENT.		OWN	2011.2.22	TE Connectivity NAME IMPACT POWER, 5 PAIR VERTICAL RECEPTACLE PRESS-FIT
DIMENSIONS:		CHK	2011.2.22	
TOLERANCES UNLESS OTHERWISE SPECIFIED:		APVD	2011.2.22	
mm		JHC		
0 PLC ±... 1 PLC ±... 2 PLC ±0.25 3 PLC ±... 4 PLC ±... ANGLES ±...		PRODUCT SPEC	108-****	
MATERIAL		APPLICATION SPEC	114-****	
FINISH		WEIGHT	-	
CUSTOMER DRAWING		SCALE	NA	
		SHEET	1 OF 2	
		REV	1	

LOC		DIST		REVISIONS			
				REV	DATE	BY	APPD
1	1			1	SEE SHEET 1		



RECOMMENDED PCB LAYOUT
 (COMPONENT SIDE SHOWN)
 MINIMUM BOARD THICKNESS: 1.60mm

THIS DRAWING IS A CONTROLLED DOCUMENT.		OWN	2011.2.22	TE Connectivity			
DIMENSIONS:		CHK	2011.2.22				
TOLERANCES UNLESS OTHERWISE SPECIFIED:		APVD	2011.2.22				
0 PLC ±... 1 PLC ±... 2 PLC ±0.25 3 PLC ±... 4 PLC ±... ANGLES ±... FINISH ±...		NAME	IMPACT POWER, 5 PAIR VERTICAL RECEPTACLE PRESS-FIT				
MATERIAL		PRODUCT SPEC	108-****	SIZE	CAGE CODE	DRAWING NO	RESTRICTED TO
		APPLICATION SPEC	114-****	A100779	C=2169859		
		WEIGHT		CUSTOMER DRAWING		SCALE	NA
				SHEET	2	OF	2
				REV	1		