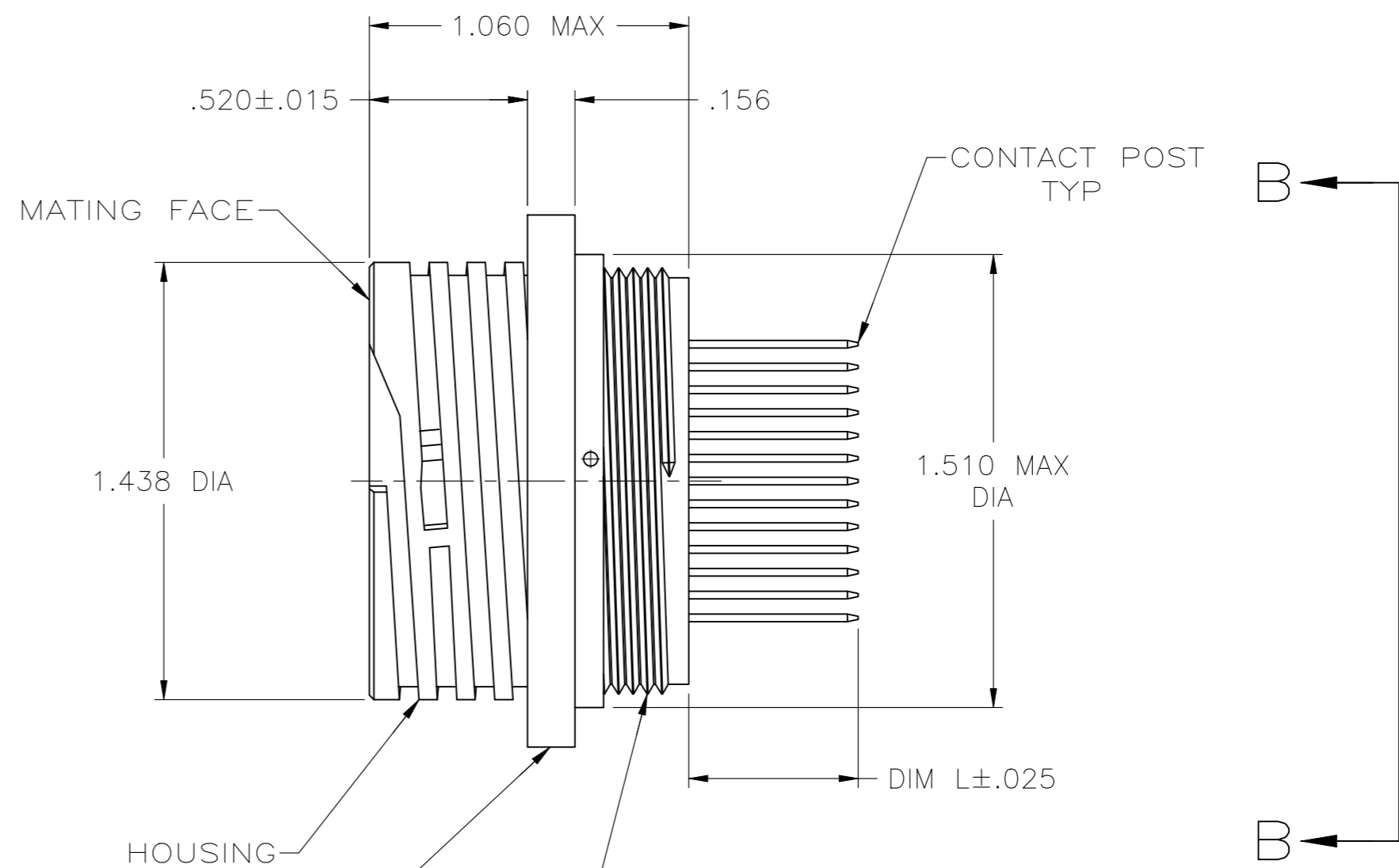
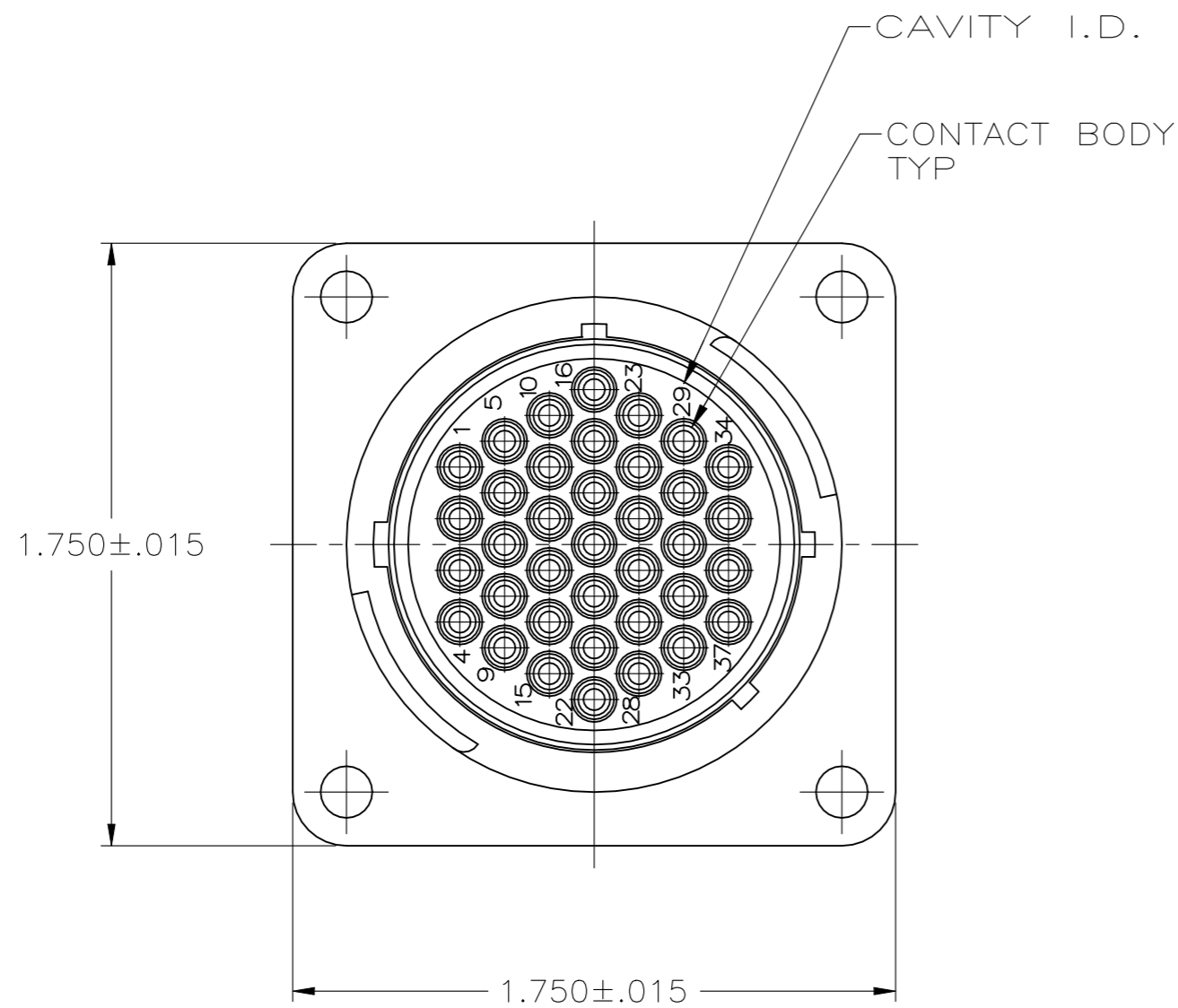


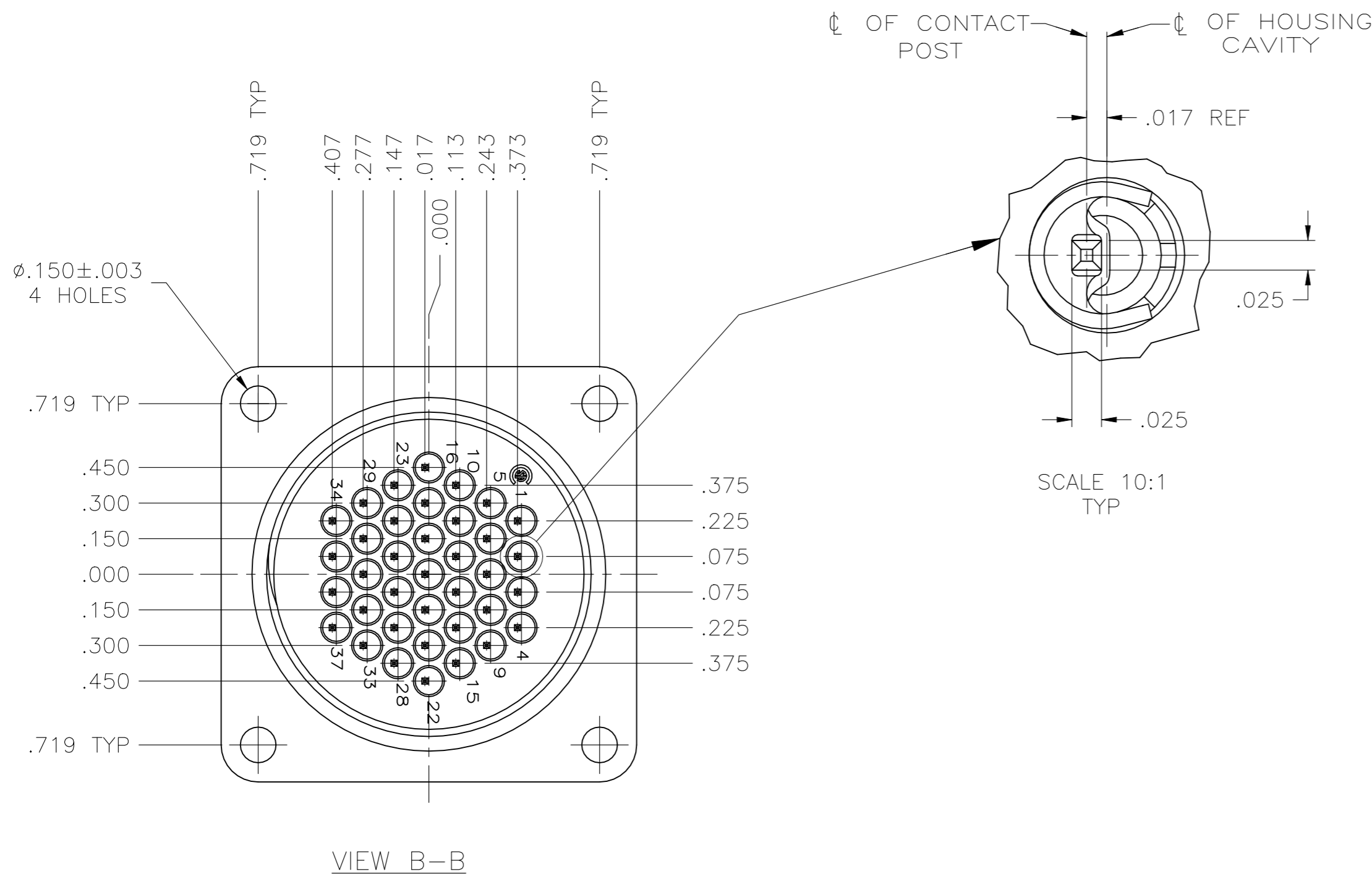
THIS DRAWING IS UNPUBLISHED. RELEASED FOR PUBLICATION
 © COPYRIGHT - By - ALL RIGHTS RESERVED.

REVISIONS				
P	LTR	DESCRIPTION	DATE	APVD
F1		REVISED PER ECR-22-150475	26AUG2022	RK MZ



PART NUMBER AND DATE CODE MARKED ON ANY FLANGE EDGE

- 1 NYLON, UL 94V-0 RATED, BLACK.
- 2 STAINLESS STEEL.
- 3 BRASS.
- 4 CONTACT BODY: .000030 MIN GOLD FOR A LENGTH OF .200 MIN FROM MATING END. GOLD FLASH ON REMAINDER, BOTH OVER .000030 MIN NICKEL. CONTACT POST: .000100 MIN TIN-LEAD OVER .000050 MIN NICKEL.
- 5 RECOMMENDED PC BOARD HOLE SIZE FOR CONTACT POST = .035±.003 DIA.
- 6 CONTACT BODY: .000030 MIN GOLD FOR A LENGTH OF .200 MIN FROM MATING END. GOLD FLASH ON REMAINDER, BOTH OVER .000030 MIN NICKEL. CONTACT POST: .000100 MIN TIN OVER .000050 MIN NICKEL.
- 7 SELECT LOAD: NO CONTACTS LOADED IN POSITIONS 10 AND 32.

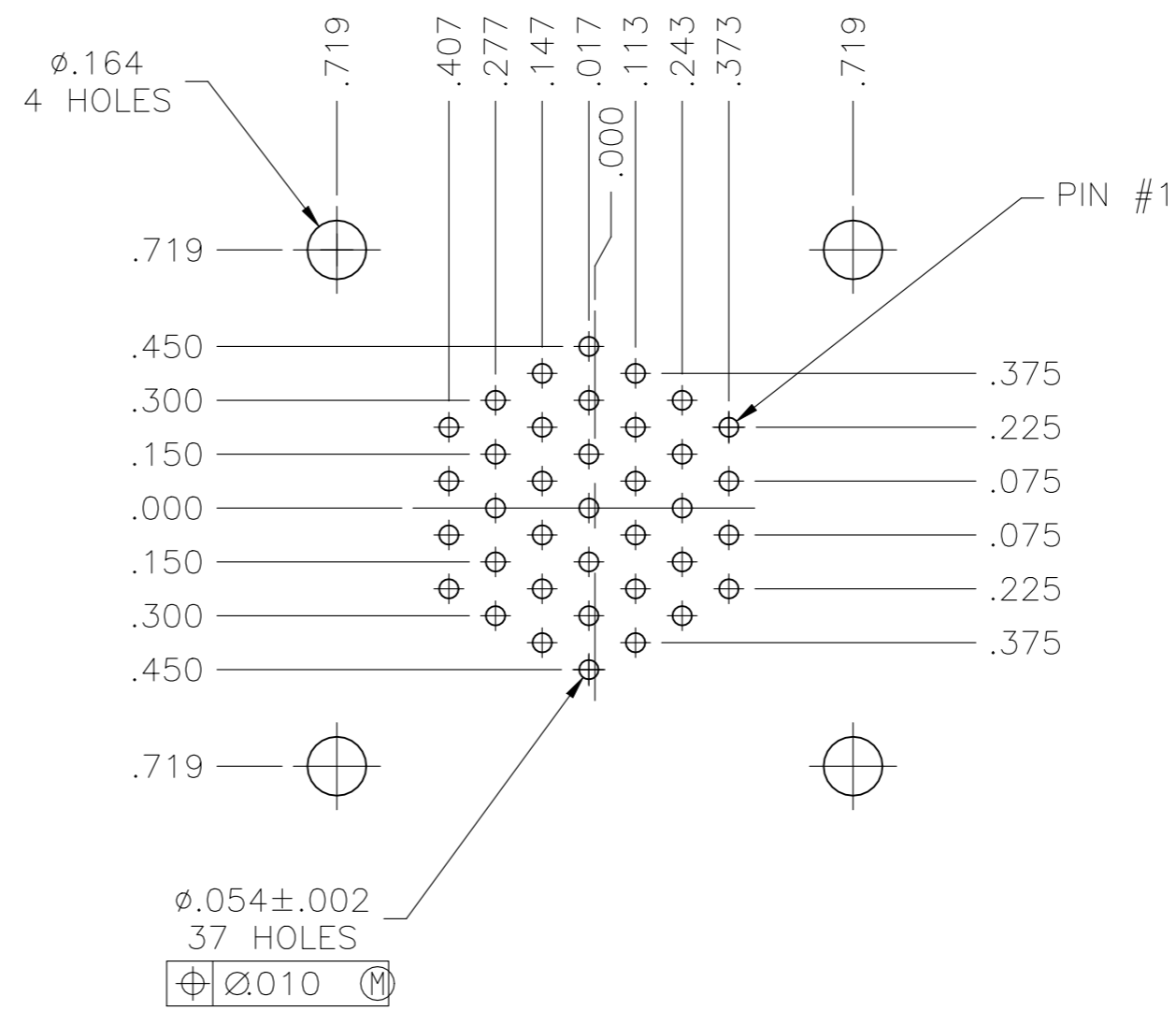


OBSOLETE	DIM L	CONTACT FINISH	PERIPHERAL SEAL	PART NUMBER
	.490	6	NO	-213856-7-
		4	NO	213856-6
		6	NO	213856-4
OBSOLETE	.557	4	YES	-213856-2-
OBSOLETE		4	NO	-213856-1-

THIS DRAWING IS A CONTROLLED DOCUMENT.		DWN D.HARDY 01-03-95	STE TE Connectivity	
		CHK R.STONE 01-09-95		
DIMENSIONS: INCHES		APVD -	RECEPTACLE ASSEMBLY, POSTED, REVERSE SEX, 23-37, CPC	
TOLERANCES UNLESS OTHERWISE SPECIFIED:		PRODUCT SPEC 108-10024	-	
0 PLC ± -		APPLICATION SPEC 114-10038	-	
1 PLC ± -		WEIGHT -	SIZE A2	CAGE CODE 00779
2 PLC ± -		CUSTOMER DRAWING	DRAWING NO C=213856	RESTRICTED TO -
3 PLC ± .010			SCALE 2:1	SHEET 1 OF 2
4 PLC ± -				
ANGLES ± -				
MATERIAL: HOUSING: 1	FINISH: CONTACT: 1			
CONTACT SPRING: 2	CONTACT BODY & POST: 3			

THIS DRAWING IS UNPUBLISHED. RELEASED FOR PUBLICATION - . - .
 © COPYRIGHT - By - ALL RIGHTS RESERVED.

REVISIONS					
P	LTR	DESCRIPTION	DATE	DWN	APVD
-	-	SEE SHEET 1	-	-	-



RECOMMENDED P.C. BOARD LAYOUT

THIS DRAWING IS A CONTROLLED DOCUMENT.		DWN D.HARDY 01-03-95			
DIMENSIONS: INCHES		CHK R.STONE 01-09-95			
		TOLERANCES UNLESS OTHERWISE SPECIFIED: 0 PLC \pm - 1 PLC \pm - 2 PLC \pm .010 3 PLC \pm - 4 PLC \pm - ANGLES \pm -		NAME RECEPTACLE ASSEMBLY, POSTED, REVERSE SEX, 23-37, CPC	
MATERIAL HOUSING: CONTACT SPRING: CONTACT BODY & POST:		APVD - PRODUCT SPEC 108-10024 APPLICATION SPEC 114-10038		SIZE A2 CAGE CODE 00779 DRAWING NO C=213856 RESTRICTED TO -	
FINISH CONTACT:		WEIGHT -		SCALE 2:1 SHEET 2 OF 2 REV F1	
CUSTOMER DRAWING					