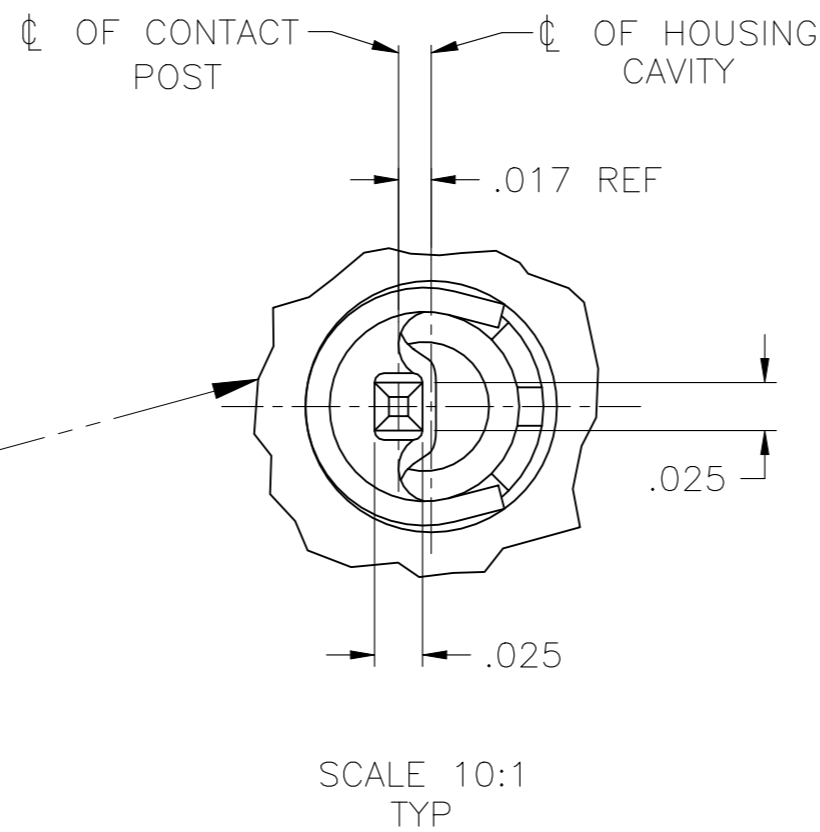
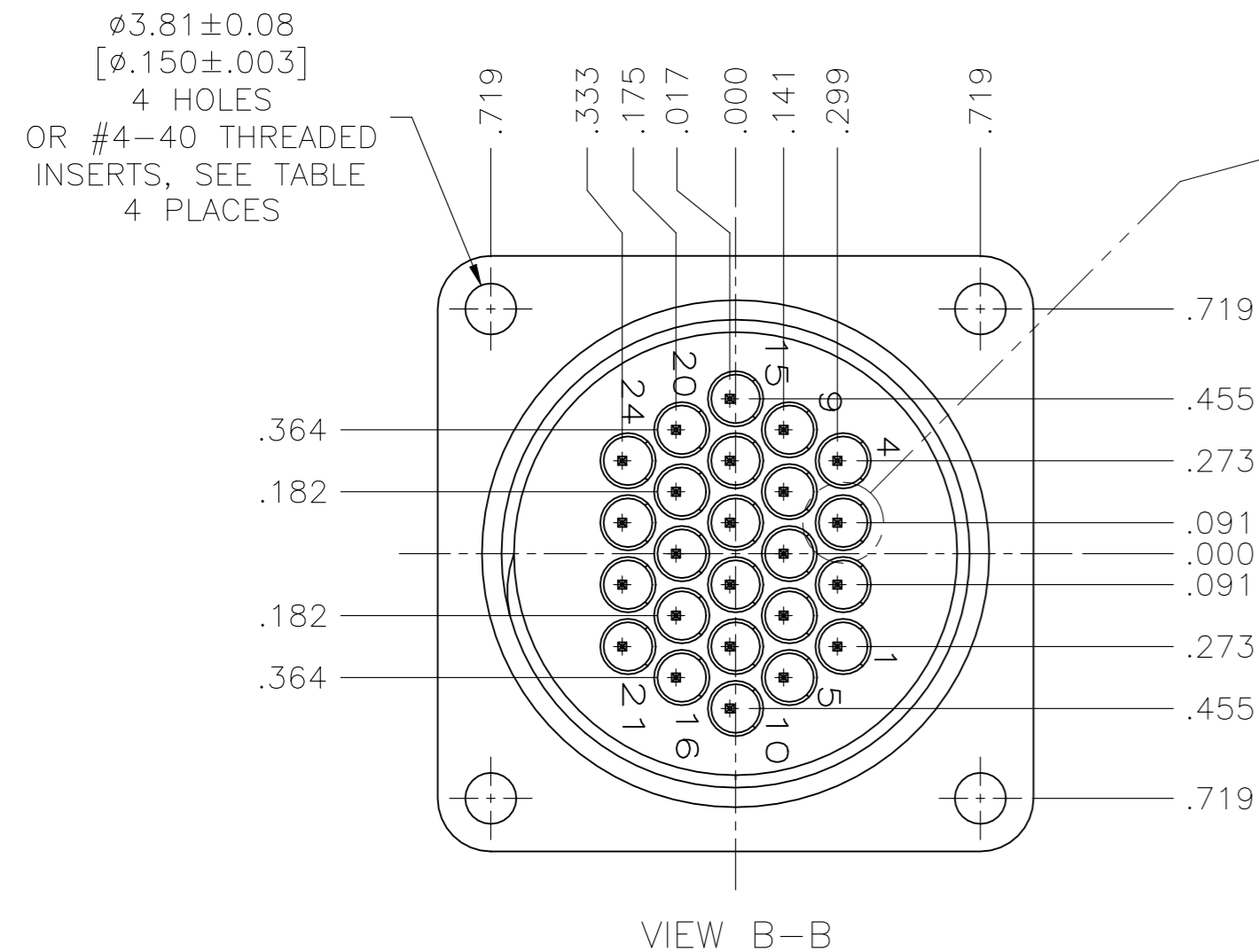
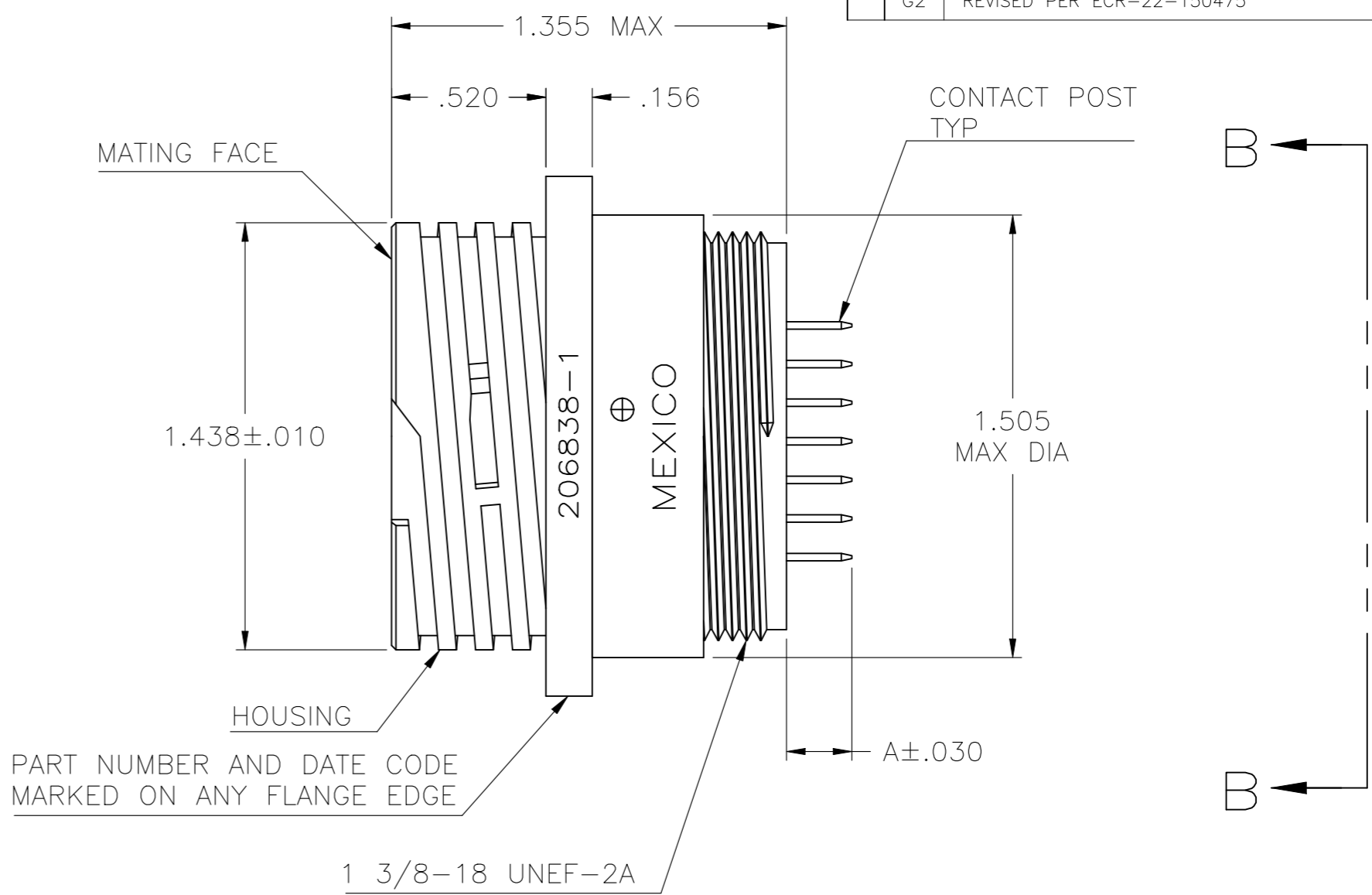
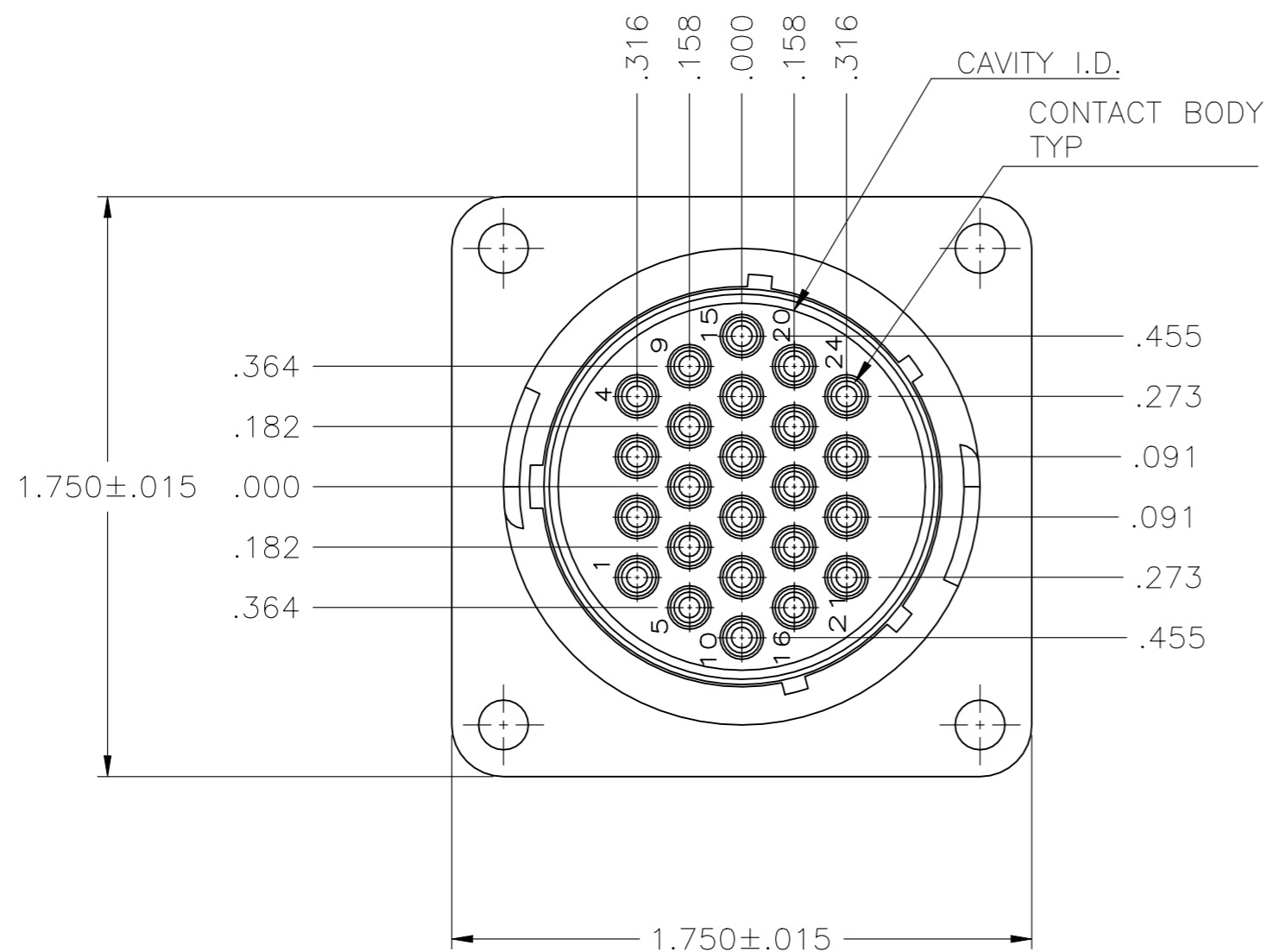


THIS DRAWING IS UNPUBLISHED. RELEASED FOR PUBLICATION
 © COPYRIGHT - By - ALL RIGHTS RESERVED.

REVISIONS				
P	LTR	DESCRIPTION	DATE	APVD
G2		REVISED PER ECR-22-150475	26AUG2022	RK MZ



- 1 MATERIALS:
 HOUSING: UL 94V-0, BLACK
 CONTACT SPRING: STAINLESS STEEL
 CONTACT BODY AND POST: BRASS
 4-40 THREADED INSERT: BRASS
- 2 CONTACT BODY: .000030 MIN GOLD FOR A LENGTH OF .200 MIN FROM MATING END. GOLD FLASH ON CONTACT
- 3 CONTACT POST: .000100 MIN TIN-LEAD OVER .000050 MIN NICKEL.
- 4 CONTACT POST: .000100 MIN TIN OVER .000050 MIN NICKEL.
- 5 RECOMMENDED PC BOARD HOLE SIZE FOR CONTACT POST = .050±.003 DIA.

DIM A	THREADED INSERTS	POST FINISH	PART NUMBER
.220	YES	4	213780-6
.267	YES	4	213780-5
OBSOLETE .130	YES	4	213780-4
OBSOLETE .220	YES	3	213780-3
.220	NO	4	213780-2
OBSOLETE .220	NO	3	213780-1

THIS DRAWING IS A CONTROLLED DOCUMENT. DWN W.LENKER 08/20/93
 CHK R.STONE 08/24/93

DIMENSIONS: INCHES TOLERANCES UNLESS OTHERWISE SPECIFIED:
 0 PLC ± -
 1 PLC ± -
 2 PLC ± .005
 3 PLC ± -
 4 PLC ± -
 ANGLES ± -
 FINISH -

PRODUCT SPEC 108-10024
 APPLICATION SPEC 114-10038

WEIGHT -

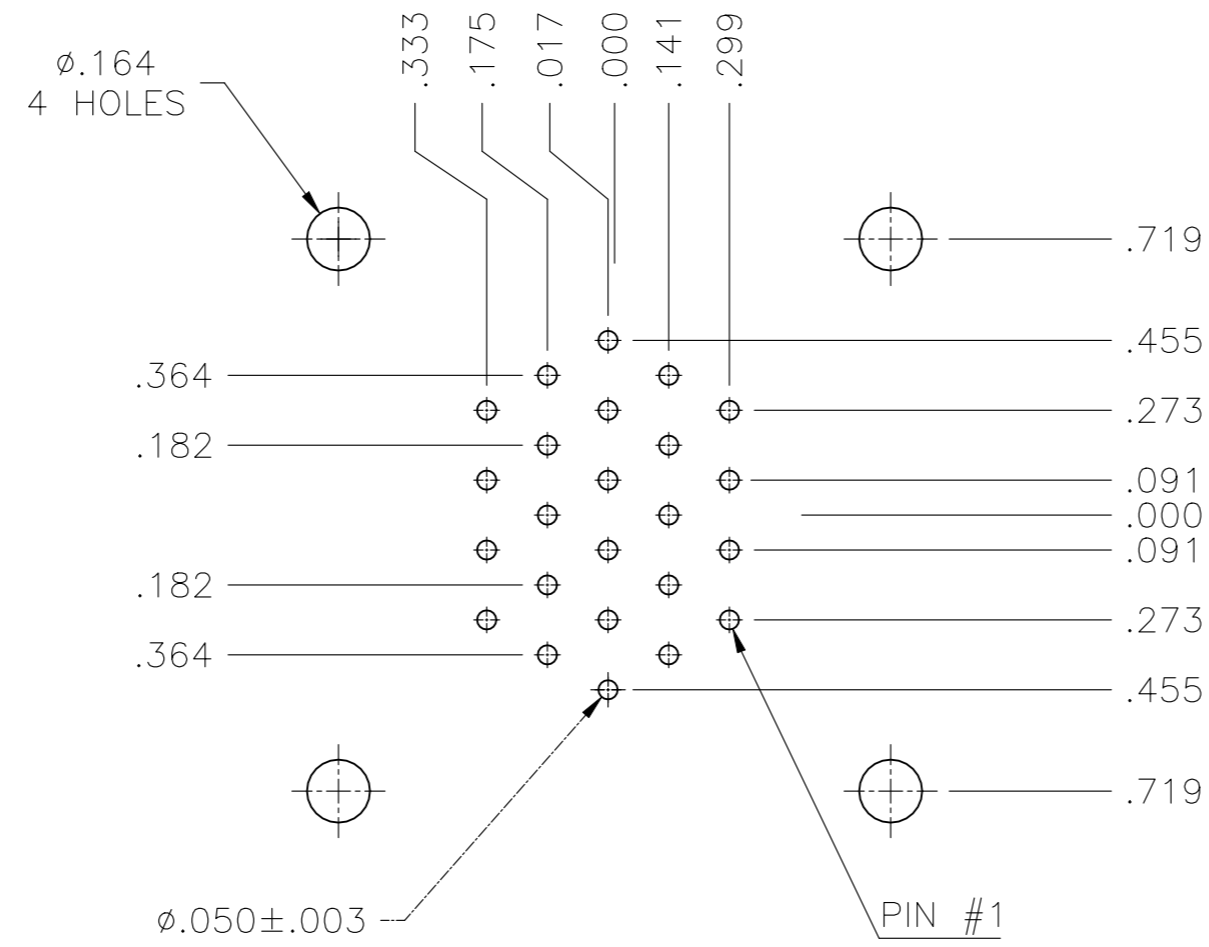
CUSTOMER DRAWING

TE Connectivity
 RECEPTACLE ASSEMBLY, POSTED, STD SEX, SERIES 1, 23-24, CPC

SIZE A2 CAGE CODE 00779 DRAWING NO C=213780 RESTRICTED TO -
 SCALE 2:1 SHEET 1 OF 2 REV G2

THIS DRAWING IS UNPUBLISHED. RELEASED FOR PUBLICATION
 © COPYRIGHT - By - ALL RIGHTS RESERVED.

REVISIONS					
P	LTR	DESCRIPTION	DATE	DWN	APVD
-	-	SEE SHEET 1	-	-	-



RECOMMENDED P.C. BOARD LAYOUT
 BOTTOM SIDE

THIS DRAWING IS A CONTROLLED DOCUMENT.		DWN W.LENKER 08/20/93																					
DIMENSIONS: INCHES		CHK R.STONE 08/24/93																					
		TOLERANCES UNLESS OTHERWISE SPECIFIED:	NAME																				
<table border="0"> <tr><td>0 PLC</td><td>±</td><td>-</td></tr> <tr><td>1 PLC</td><td>±</td><td>-</td></tr> <tr><td>2 PLC</td><td>±</td><td>.005</td></tr> <tr><td>3 PLC</td><td>±</td><td>-</td></tr> <tr><td>4 PLC</td><td>±</td><td>-</td></tr> <tr><td>ANGLES</td><td>±</td><td>-</td></tr> </table>		0 PLC	±	-	1 PLC	±	-	2 PLC	±	.005	3 PLC	±	-	4 PLC	±	-	ANGLES	±	-	APVD -	RECEPTACLE ASSEMBLY, POSTED, STD SEX, SERIES 1, 23-24, CPC		
0 PLC	±	-																					
1 PLC	±	-																					
2 PLC	±	.005																					
3 PLC	±	-																					
4 PLC	±	-																					
ANGLES	±	-																					
MATERIAL		FINISH	PRODUCT SPEC 108-10024	SIZE A2	CAGE CODE 00779	DRAWING NO C=213780	RESTRICTED TO																
		-	APPLICATION SPEC 114-10038	SCALE 2:1		SHEET 2 OF 2	REV G2																
CUSTOMER DRAWING			<table border="0"> <tr> <td>WEIGHT</td> <td>-</td> </tr> </table>					WEIGHT	-														
WEIGHT	-																						