

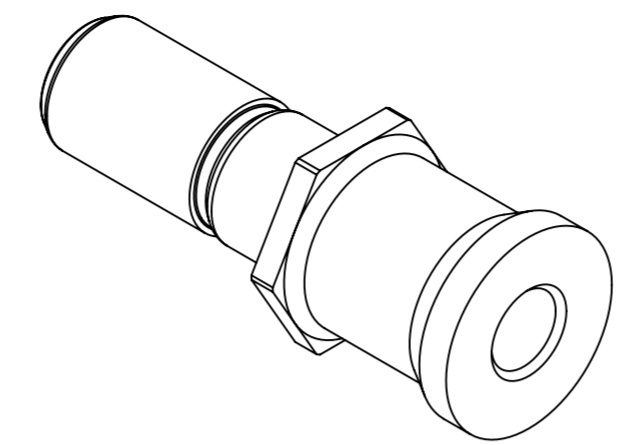
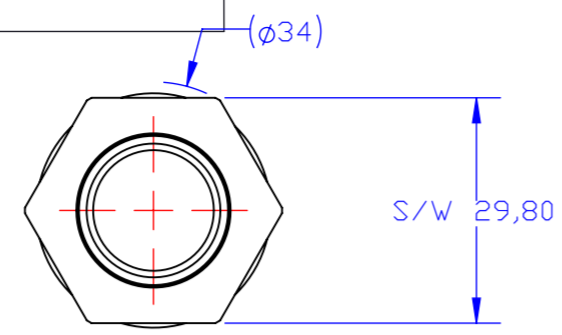
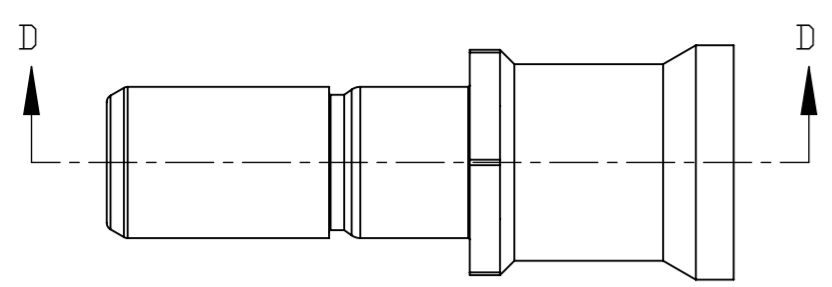
RELEASED FOR PUBLICATION
ALL RIGHTS RESERVED.

© COPYRIGHT 20 BY

Project NR
PRJ-16-000908122

REVISIONS

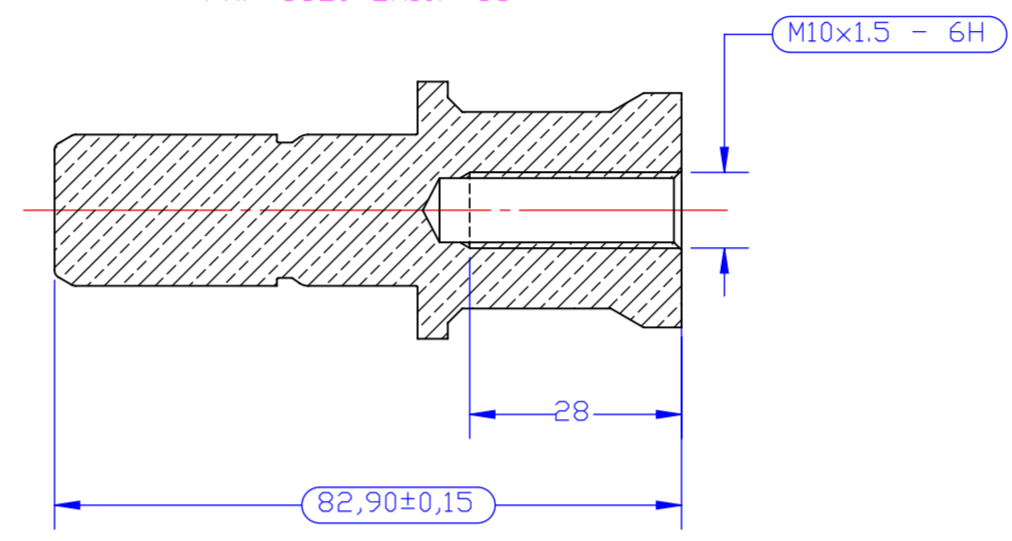
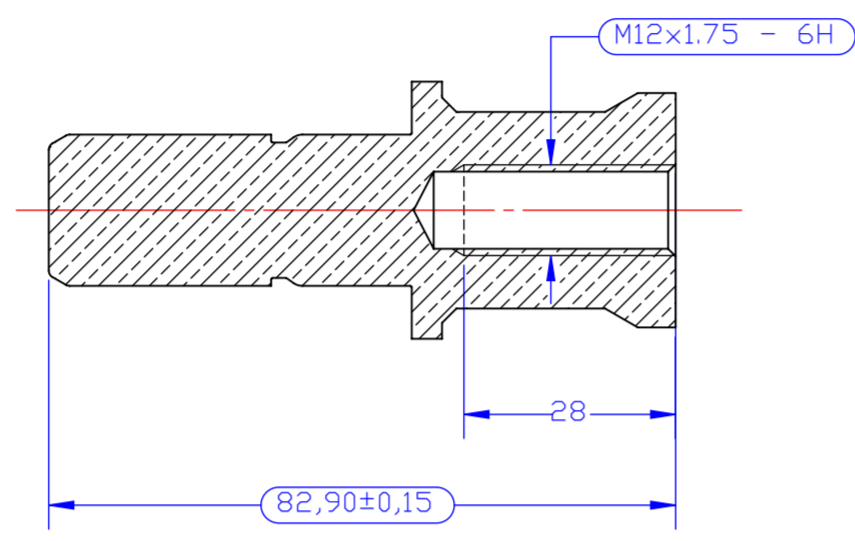
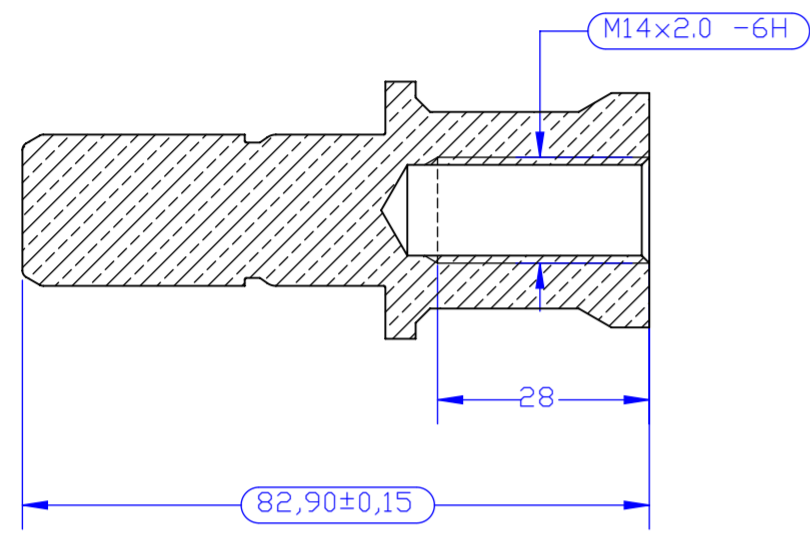
P	LTR	DESCRIPTION	DATE	DWN	APVD
	A	Création . Diff 333188	11MAR2019	JFG	MV



View A-A
for commercial references
FXP-CS20-LM14P-CU

View A-A
for commercial references
FXP-CS20-LM12P-CU

View A-A
for commercial references
FXP-CS20-LM10P-CU



1 () : cotes pour information / dimensions for information
 () : cotes de controle / inspection dimensions

2 Instructions de mise en oeuvre à appliquer par le client
 Customer instructions to be applied by the customer

3 Spécification d'emballage = 107-157006
 Packaging spec = 107-157006

4 Manuel client = 409-157000
 Customer manual = 409-157000

5 Couple de serrage sur vis cosse avec 3 rondelles coniques = 20Nm
 Lug screw tightening torque with 3 elements conical washer = 20Nm

Couple de serrage de la cosse avec 3 rondelles coniques = 35Nm
 Lug screw tightening torque with 3 elements conical washer = 35Nm

Couple de serrage de la cosse avec 3 rondelles coniques = 55Nm
 Lug screw tightening torque with 3 elements conical washer = 55Nm

6 Contact avec filetage M10 à utiliser pour les cosse de 25mm² à 150mm²
 Contact avec filetage M12 à utiliser pour les cosse de 50mm² à 185mm²
 Contact avec filetage M14 à utiliser pour les cosse de 95mm² à 240mm²
 Contact with M10 thread to use for lug of 25mm² to 150mm²
 Contact with M12 thread to use for lug of 50mm² to 185mm²
 Contact with M14 thread to use for lug of 95mm² to 240mm²

7 Connexions à réaliser par le client
 Connexion constituées des éléments de fixation suivants:
 -Vis H,M classe A2-70, lg fileté en prise recommandée: 2x Ø vis
 -Rondelle élastique conique 3 éléments inox A2
 -Rondelle M ou L inox A2.

Implementation of the connection provided by the customer
 Connection consisting of the following fasteners:
 -Screw H,M class A2-70, threaded length recommended: 2x Ø vis
 -Conical elastic washer 3 elements A2 stainless steel
 -Washer M or L stainless steel A2

Observations Remarks	Protection Plating	Fiche matière Data sheet	Matière Material	Masse (g) Weight (g)	Nbr Qty	Codification Part number	Désignation Designation	REP Item
-	-	-	-	1,00	1	0206-0329AS	Sachet déshydratant Deshydrating bag	3
-	-	-	Plastique Plastic	1,00	1	Y000000000-EMB041	Sachet bulle 100x150 mm Bubble bag 100x150 mm	2
-	Argenture Silver plating	FMME 2003	Cuivre Copper	305,27		YC-KC-212737C-CC1A	Contact mâle cal. 20 raccordement pour cosse M10 Male contact cal. 20 , connection for lug M10	2
-	Argenture Silver plating	FMME 2003	Cuivre Copper	297,83	1	YC-KC-212737B-CC1A	Contact mâle cal. 20 raccordement pour cosse M12 Male contact cal. 20 , connection for lug M12	2
-	Argenture Silver plating	FMME 2003	Cuivre Copper	288,31	1	YC-KC-212737A-CC1A	Contact mâle cal. 20 raccordement pour cosse M14 Male contact cal. 20 , connection for lug M14	1

Commercial references	Part Number
FXP-CS20-LM14P-CU	YS-KC-213189A-CC1A
FXP-CS20-LM12P-CU	YS-KC-213189B-CC1A
FXP-CS20-LM10P-CU	YS-KC-213189C-CC1A

Référence commerciale / Commercial reference : Voir nomenclature / See bill of material

Voir Tableau / See table
PART NO

Commercial references	P/N	Filetage Thread	Weight (g)
FXP-CS20-LM14P-CU	YS-KC-213189A-CC1A	14	290.31
FXP-CS20-LM12P-CU	YS-KC-213189B-CC1A	12	299.83
FXP-CS20-LM10P-CU	YS-KC-213189C-CC1A	10	307.27

THIS DRAWING IS A CONTROLLED DOCUMENT.

DIMENSIONS: mm	TOLERANCES, UNLESS OTHERWISE SPECIFIED: 0 PLC : . 1 PLC : . 2 PLC : . 3 PLC : . 4 PLC : . ANGLES : . FINISH : .	DWN: JF.GALIPAUD 11MAR2019 CHK: M.BONNIN 11MAR2019 APVD: M.VIMARD 11MAR2019	NAME: S/E Contact mâle cal. 20 pour cosse M10 à M14 S/A Male contact cal.20, for terminal lug M10 up to M14
MATERIAL: .	FINISH: .	PRODUCT SPEC: . APPLICATION SPEC: . WEIGHT: See Table	SIZE: A2 CAGE CODE: . DRAWING NO: C-213189 RESTRICTED TO: .
CUSTOMER DRAWING		SCALE: 1:1	SHEET 1 OF 1 REV A

STE TE Connectivity