

P	LTR	DESCRIPTION	DATE	DWN	APVD
3		Add cross section 50mm ²	27JUL2017	MB	MV
4		Add packaging spec number	27SEP2017	MB	MV
A		Disatching 332490	27SEP2017	MB	MV

Réf. Commerciale
Commercial ref.

FXP-CA20-M50P-CU	FXP-CA20-M70P-CU	FXP-CA20-M95P-CU	FXP-CA20-M120P-CU	FXP-CA20-M150P-CU	FXP-CA20-M185P-CU	FXP-CA20-M240P-CU
						x
						x
				x		
			x			
	x					
x						
x	x	x	x	x	x	x

REP Item	Codification Part number	Nbr Qty	Designation	Masse (g) Weight	Matériau Material	Fiche matière Datasheet	Protection Plating	Observations Remarks
x 1	YC-KG-212772A-CD1A	1	Contact mâle cal. 20 à sertir 240mm ² Male contact cal. 20 to be crimped 240mm ²	563,02	Cuivre Copper	FMME 2005	Argenture Silver plating	-
1	YC-KG-212772B-CD1A	1	Contact mâle cal. 20 à sertir 185mm ² Male contact cal. 20 to be crimped 185mm ²	586,86	Cuivre Copper	FMME 2005	Argenture Silver plating	-
1	YC-KG-212772C-CD1A	1	Contact mâle cal. 20 à sertir 150mm ² Male contact cal. 20 to be crimped 150mm ²	580,13	Cuivre Copper	FMME 2005	Argenture Silver plating	-
1	YC-KG-212772D-CD1A	1	Contact mâle cal. 20 à sertir 120mm ² Male contact cal. 20 to be crimped 120mm ²	580,01	Cuivre Copper	FMME 2005	Argenture Silver plating	-
1	YC-KG-212772E-CD1A	1	Contact mâle cal. 20 à sertir 95mm ² Male contact cal. 20 to be crimped 95mm ²	585,94	Cuivre Copper	FMME 2005	Argenture Silver plating	-
1	YC-KG-212772F-CD1A	1	Contact mâle cal. 20 à sertir 70mm ² Male contact cal. 20 to be crimped 70mm ²	581,80	Cuivre Copper	FMME 2005	Argenture Silver plating	-
1	YC-KG-212772G-CD1A	1	Contact mâle cal. 20 à sertir 50mm ² Male contact cal. 20 to be crimped 50mm ²	572,94	Cuivre Copper	FMME 2005	Argenture Silver plating	-
2	0206-0329AS	1	Sachet déshydratant Deshydrating bag	1,50	Plastique Plastic	-	-	-
3	Y0000000000-EMB041	1	Sachet ZIP ZIP Bag	1,20	Plastique Plastic	-	-	-

1 () : cotes pour information / dimensions for information
○ : cotes de controle / inspection dimensions

Sections du câble Cable cross sections	Outils de sertissage hydrauliques (Mécattraction) Hydraulic crimping tools (Mecatraction)				Outils de sertissage manuel (Mécattraction) Manual crimping tools (Mecatraction)	
	Pompe Pump	Vérins Jacks	Flexible Flexhoses	Matrices Dies	Pinces Clamps	Matrices Dies
50mm ²	PA 133 K	SU133K ou SU210K Chape ouverte/ Opened shell ou / or VF133K ou VF210K Chape fermée/ Closed shell	F 4622K Longueur/ Length 1,80 m	TN50V13 TN50V20 (1 crimping)	PMM1CF	H1 16-50 F (1 crimping)
70mm ²				TN70V13 TN70V20 (1 crimping)	PMM1CF	H1 25-70 F (1 crimping)
95mm ²				TN95V13 TN95V20 (1 crimping)	Non disponible Not available	
120mm ²				TN120V13 TN120V20 (1 crimping)		
150mm ²				TN150V20 (1 crimping)		
185mm ²				TN185V20 (1 crimping)		
240mm ²	SU210K Chape ouverte/ Opened shell ou / or VF210K Chape fermée/ Closed shell	F 4623K Longueur/ Length 3,00 m	TN240V20 (2 crimping)			

3 Longueur de dénudage de la gaine du câble = L1+1mm
Cable stripping length = L1+1mm

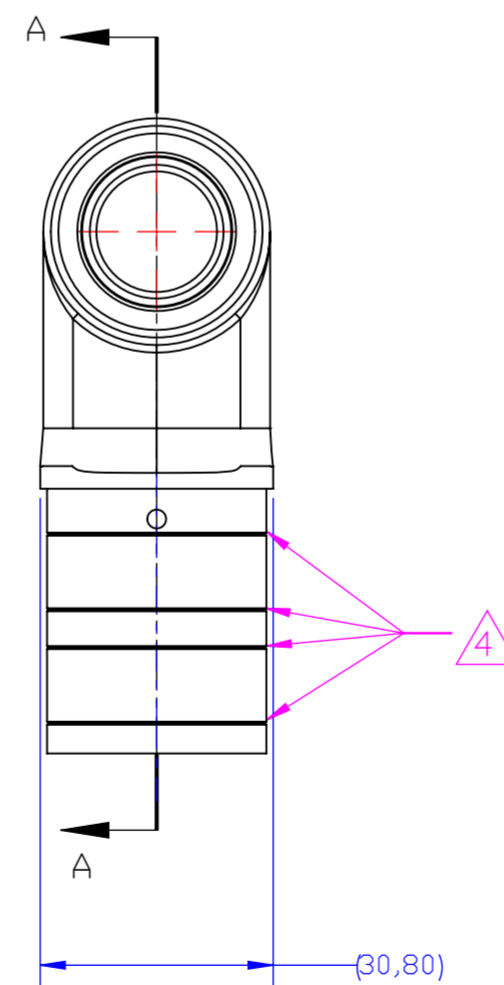
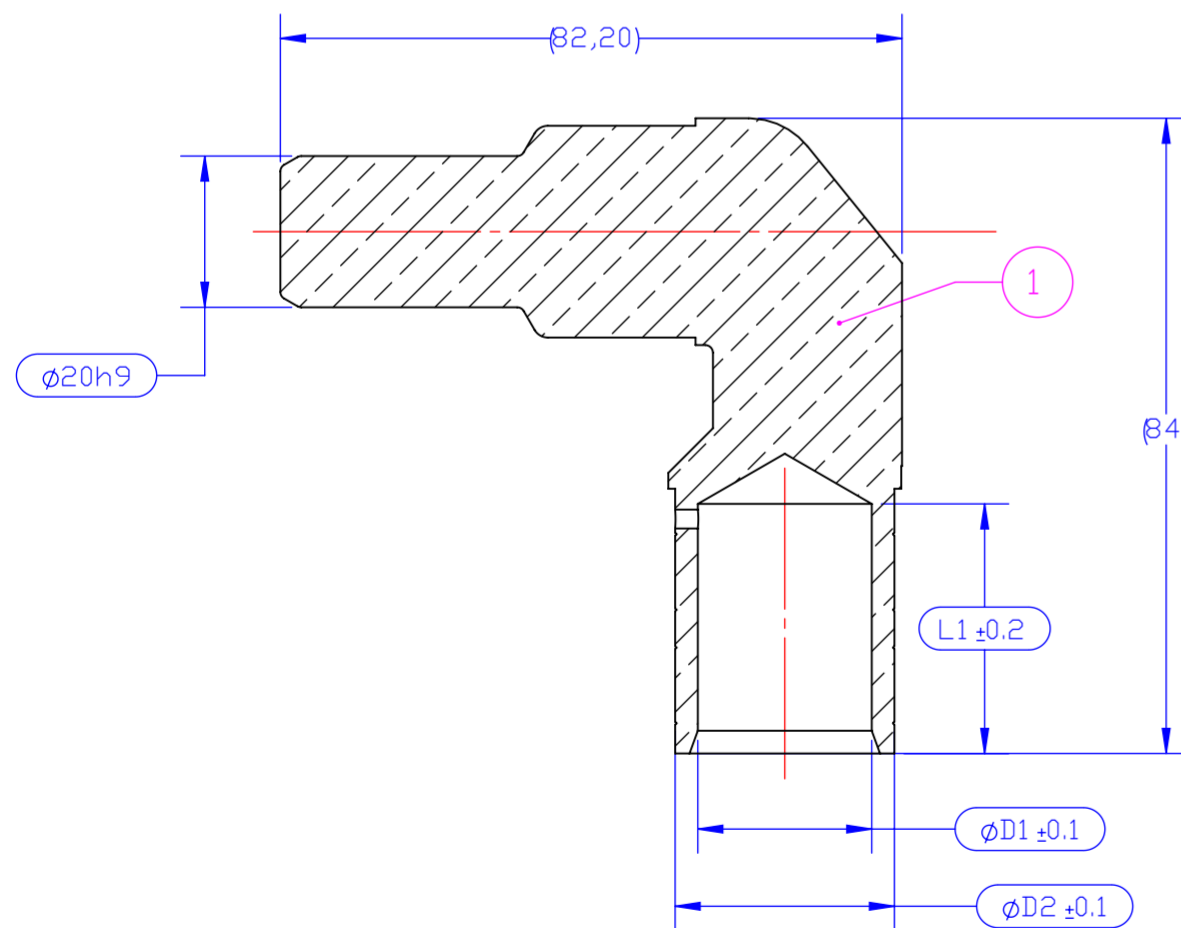
4 Repère de zone de sertissage
Mandatory crimping area landmark

Commercial reference	Cross-section (mm ²)	Dimensions (mm)			Weights (g)
		L1	D1	D2	
FXP-CA20-M240P-CU	240mm ²	33	23	29	563,02
FXP-CA20-M185P-CU	185mm ²	26	20,5	26	586,86
FXP-CA20-M150P-CU	150mm ²	26	18	23	580,13
FXP-CA20-M120P-CU	120mm ²	25	16,5	21	580,01
FXP-CA20-M95P-CU	95mm ²	23	14,5	18,5	585,94
FXP-CA20-M70P-CU	70mm ²	22	12,5	16	581,8
FXP-CA20-M50P-CU	50mm ²	22	10,8	14	572,94

6 Specification de packaging : 107-157006
Packaging spec : 107-157006

7 Manuel client : 409-157000
Customer manual : 409-157000

COUPE A-A
A-A CUT



Référence commerciale / Commercial reference : see table

see table
PART NO

THIS DRAWING IS A CONTROLLED DOCUMENT.		DWN M.BONNIN 14MAR2017	TE Connectivity	
		CHK JF.GALIPAUD 14MAR2017		
DIMENSIONS: mm	TOLERANCES, UNLESS OTHERWISE SPECIFIED:	APVD M.VIMARD 14MAR2017	NAME S/E contacts mâles cal. 20 90° à sertir 50 à 240mm ² S/A male contacts cal. 20 90° to be crimped 50 to 240mm ²	
	0 PLC -- 1 PLC -- 2 PLC -- 3 PLC -- 4 PLC -- ANGLES --	PRODUCT SPEC 108-157010	SIZE A2	RESTRICTED TO
MATERIAL -	FINISH -	APPLICATION SPEC 114-157007	CAGE CODE -	DRAWING NO C-212836
		WEIGHT 563.02 g	SCALE 1:1	SHEET 1 OF 1
		CUSTOMER DRAWING		REV A