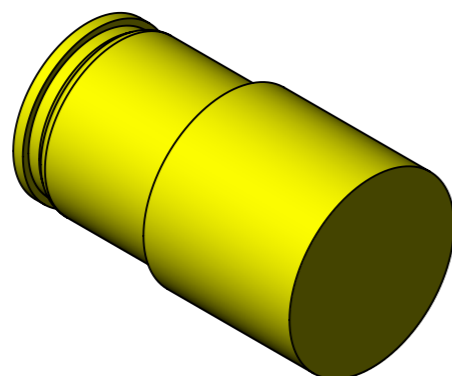


P	LTR	DESCRIPTION	DATE	DWN	APVD
	A	Disptaching 332490	20NOV2017	MB	MV

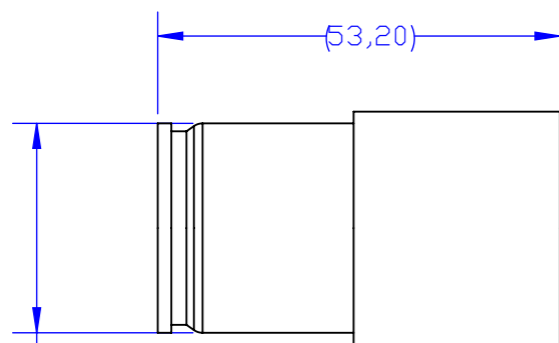


- 1 () : cotes pour information / dimensions for information
 () : cotes de controle / inspection dimensions

2  Instructions de mise en oeuvre à appliquer par le client
Customer instructions to be applied by the customer

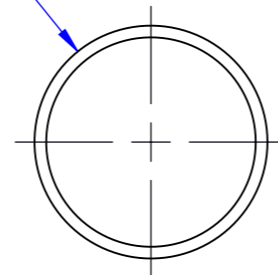
3 Faux contact femelle utilisable dans isolants :
 YK-KC-212683A-PN00
 YK-KC-212736A-PN00
Female dummy contact available in insulators :
 YK-KC-212683A-PN00
 YK-KC-212736A-PN00

4 Reference commerciale de l'outillage de démontage du contact : DUTEXT 212751A
Commercial reference of the dismantling tool for the contact : DUTEXT 212751A



φ27,7±0,05


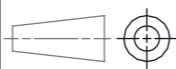
(φ30,80)



Référence commerciale / Commercial reference : FXP-CS20-DXS

YK-KC-212807A-PY00

PART NO

THIS DRAWING IS A CONTROLLED DOCUMENT.		DWN M.BONNIN 20NOV2017	 TE Connectivity Female dummy contact Faux contact femelle	
DIMENSIONS: mm		CHK JF.GALIPAUD 20NOV2017		
		APVD M.VIMARD 20NOV2017		
TOLERANCES UNLESS OTHERWISE SPECIFIED:		PRODUCT SPEC	NAME	
0 PLC	± .	-	114-157007	
1 PLC	± .	APPLICATION SPEC	WEIGHT 35.70 g	
2 PLC	± .	114-157007	SIZE	CAGE CODE
3 PLC	± .	FINISH	A3	-
4 PLC	± .	MATERIAL	DRAWING NO	
ANGLES	± .	-	C-212807	
FINISH	-	CUSTOMER DRAWING	RESTRICTED TO	-
-	-		SCALE	1:1
-	-		SHEET	1 OF 1
			REV	A