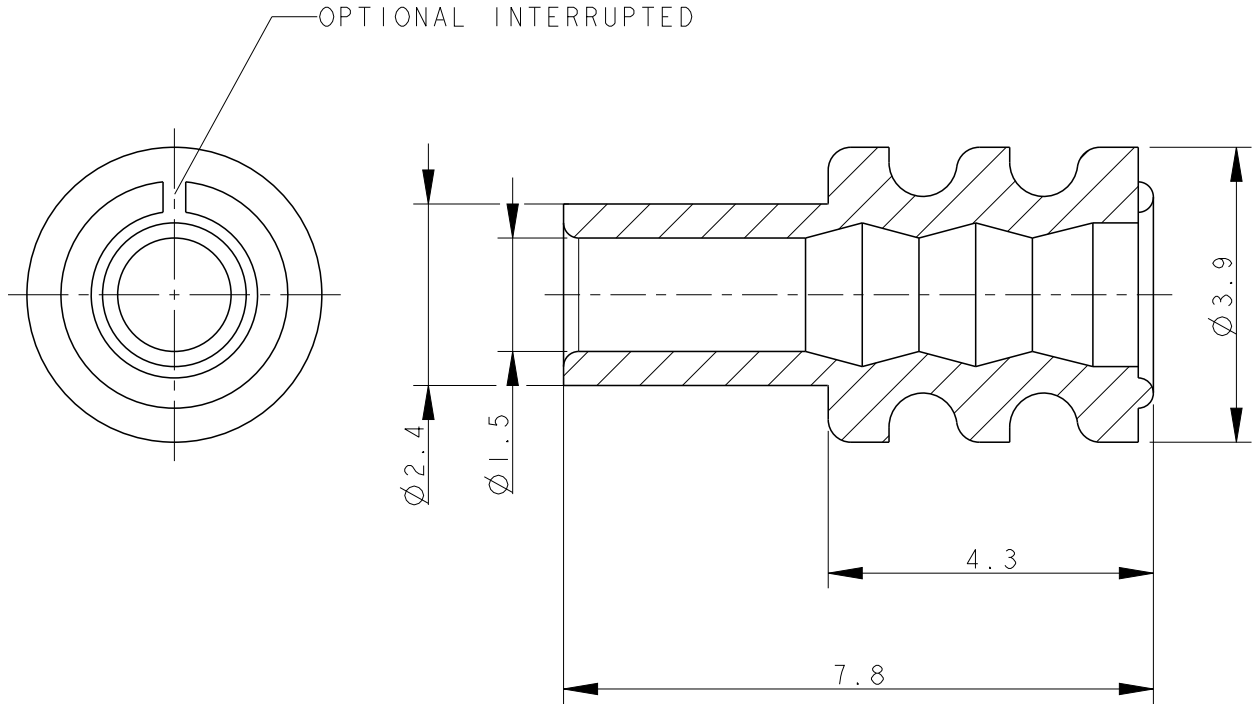


LOC	DIST	REVISIONS					
A1	-	P	LTR	DESCRIPTION	DATE	DWN	APVD
		A1		COLOUR CHANGED TO ORANGE (ECR-10-001371)	20JAN2010	Abr	Brun
		A2		CHANGED INSULATION RANGE (ECR-13-014157)	12SEP2013	M.G.	M.G.



INSULATION Isolations  $\varnothing 2.2-2.4$  mm (1.5 mm<sup>2</sup> FLR)



1:1

2009

RELEASED FOR PUBLICATION

ALL RIGHTS RESERVED.


THIS DRAWING IS UNPUBLISHED.

BY -

© COPYRIGHT 2009

DIMENSIONS:		DWN	30SEP2009
mm		CHK	01OCT2009
TOLERANCES UNLESS OTHERWISE SPECIFIED:		APVD	01OCT2009
0 PLC	$\pm$	PRODUCT SPEC	
1 PLC	$\pm$	-	
2 PLC	$\pm$	APPLICATION SPEC	
3 PLC	$\pm$	-	
4 PLC	$\pm$	WEIGHT	
ANGLES	$\pm 2^\circ$	-	

MATERIAL	ORANGE	Silicone 50 Shore A	2112323-1	A
FINISH	COLOUR	MATERIAL	PART NO.	REV
-				
NAME		SINGLE WIRE SEAL		
MICRO TIMER II CONTACT SYSTEM				
SIZE	CAGE CODE	DRAWING NO	RESTRICTED TO	
A4	00779	C=2112323	-	

MATERIAL		FINISH	
-		-	
 TE Connectivity			
NAME		SINGLE WIRE SEAL	
MICRO TIMER II CONTACT SYSTEM			
SIZE	CAGE CODE	DRAWING NO	RESTRICTED TO
A4	00779	C=2112323	-
Customer Drawing		SCALE	SHEET
		10:1	1 OF 1
		REV	A2