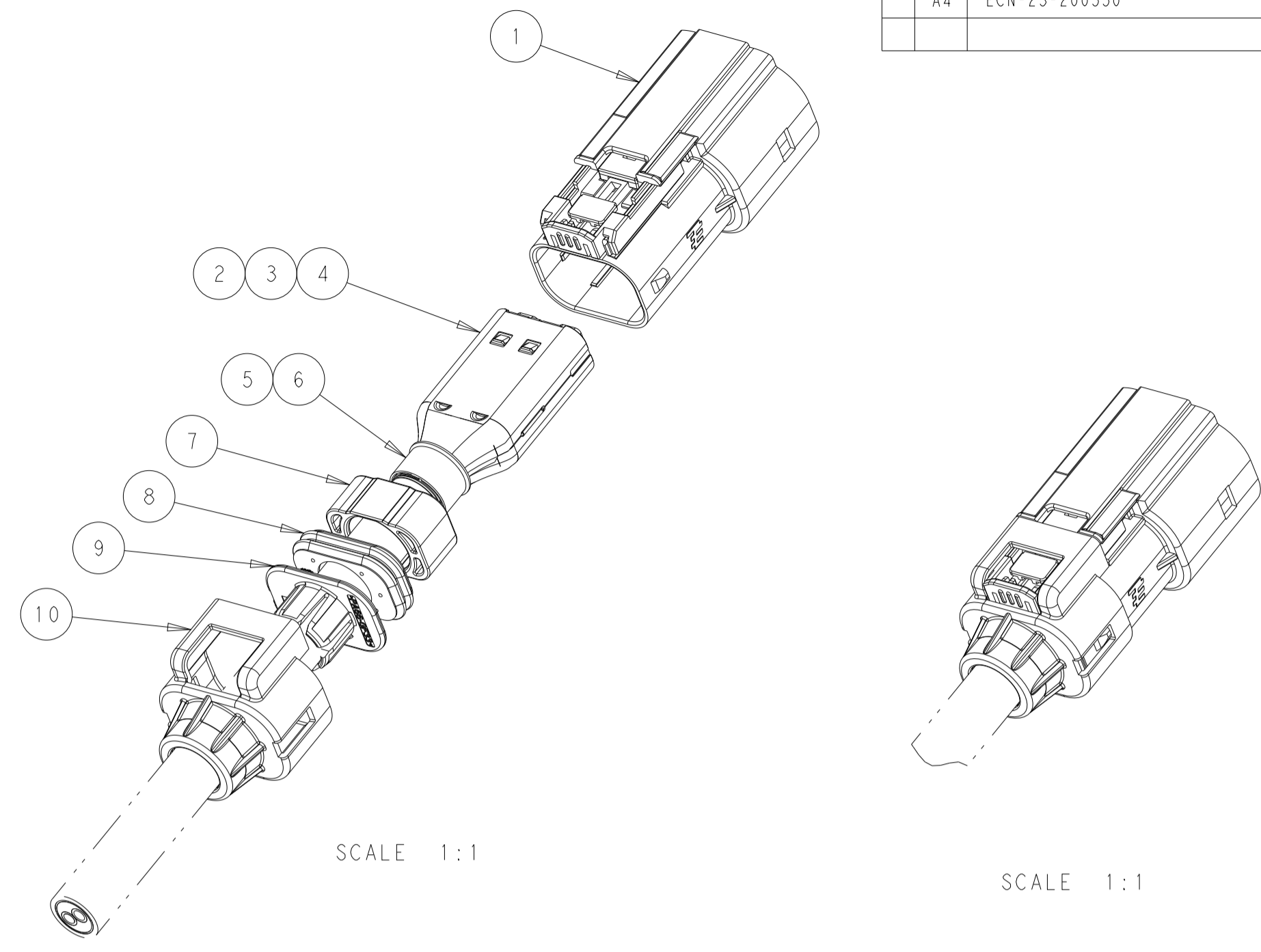
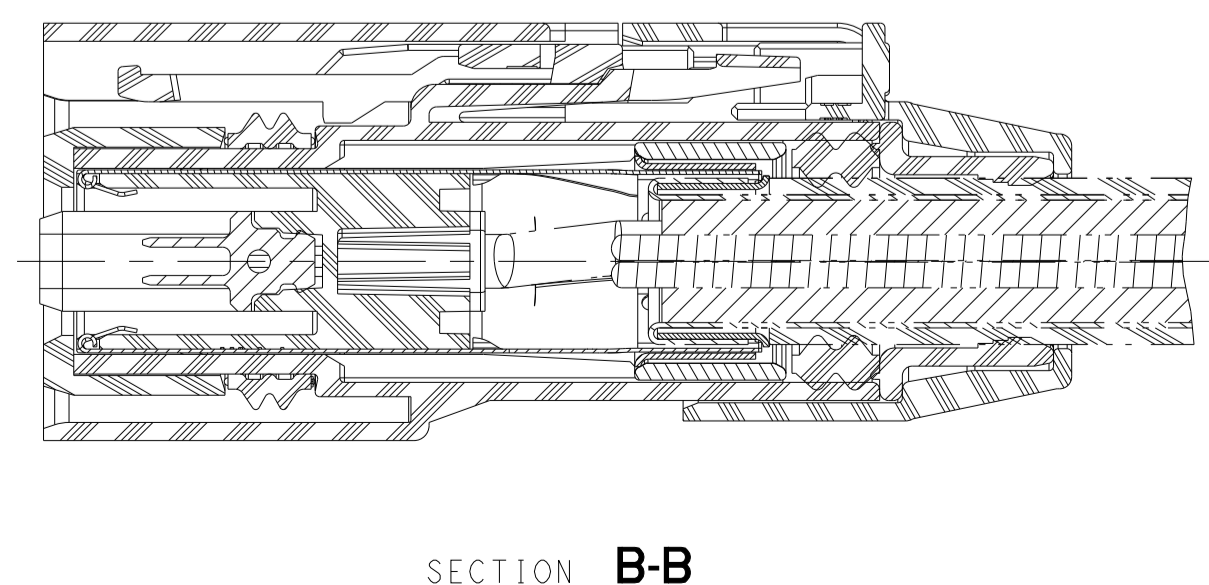
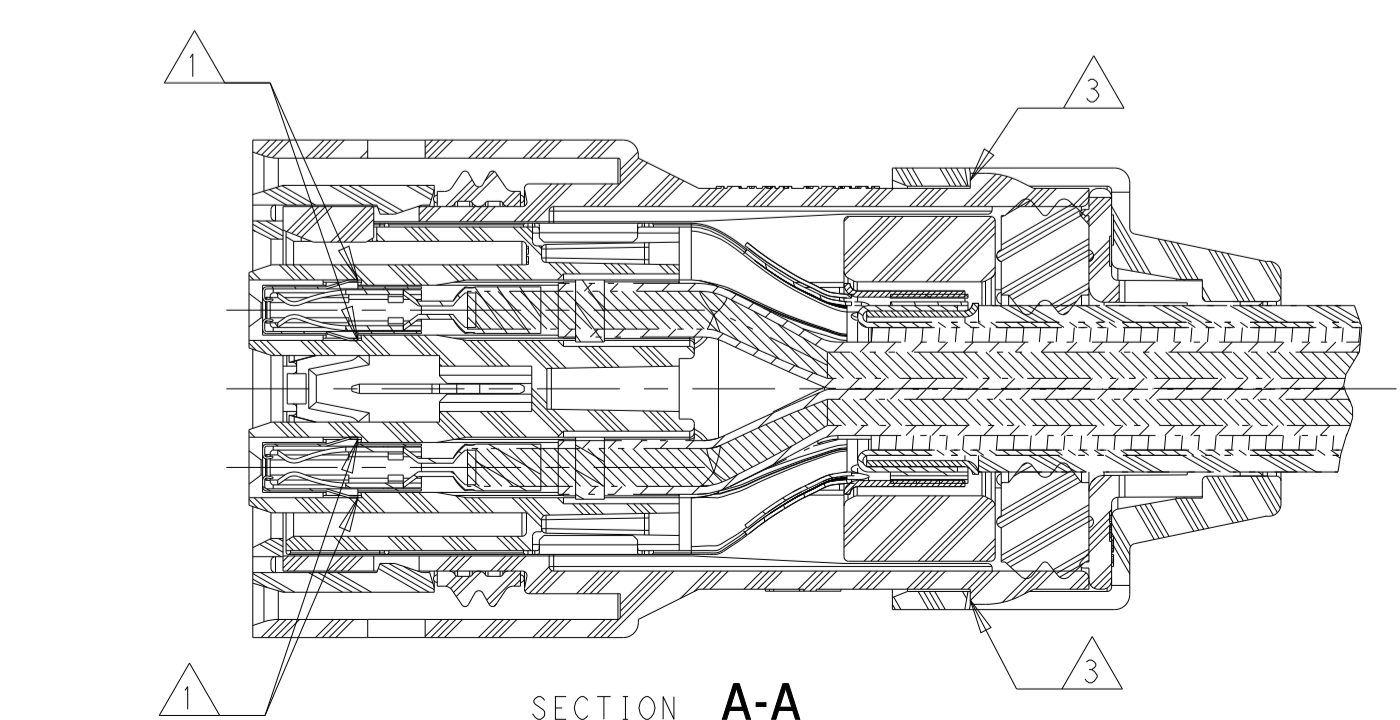
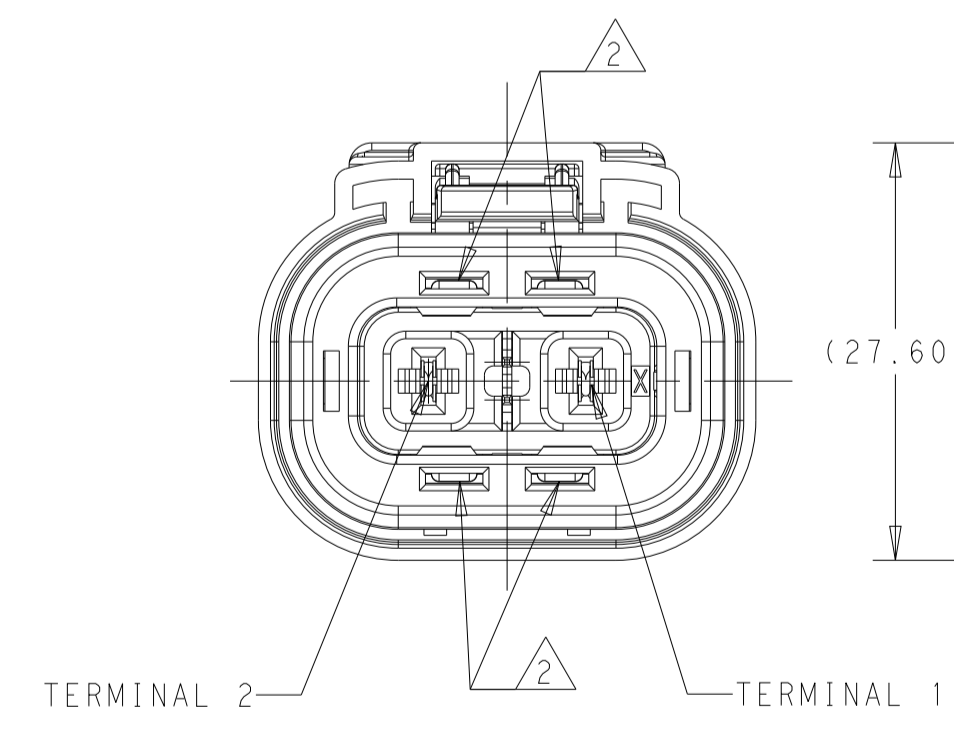
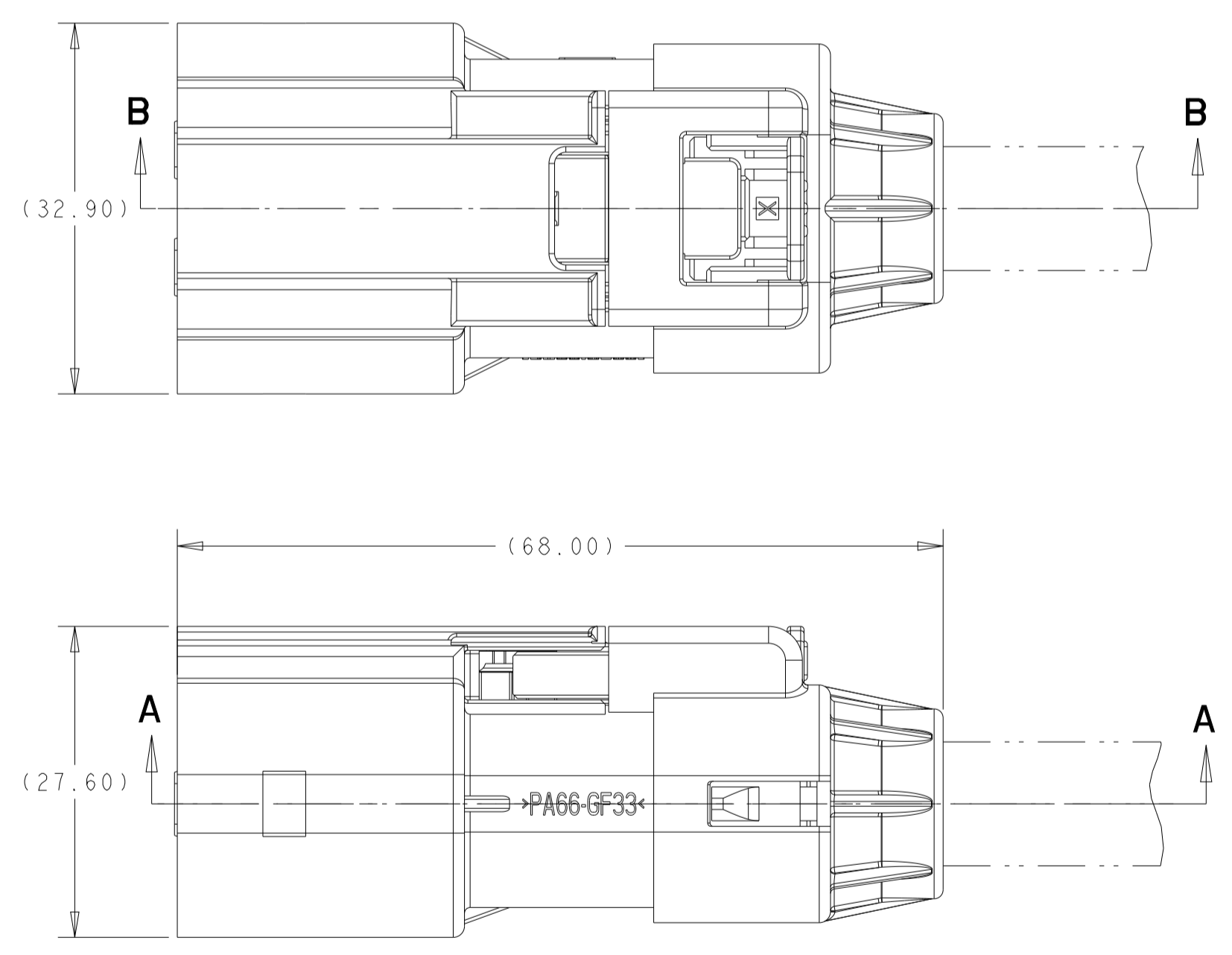


REVISIONS					
P	LTN	DESCRIPTION	DATE	DMN	APVD
A2	ECO-14-004886		31MAR2014	DR	DR
A3	ECO-18-014358		09SEP2018	PK	DR
A4	ECN-23-200550		01MAR2023	SR	AC



- 1 ALL TERMINALS MUST BE FULLY SEATED AND LOCKED IN POSITION TWO PLACES PER TERMINAL
- 2 INNER HOUSING SUB-ASSEMBLY MUST BE FULLY LOCKED 4 PLACES
- 3 CABLE SEAL RETAINER MUST BE FULLY LOCKED 2 PLACES
- 4 PARTS ARE NOT AVAILABLE BY THESE NUMBERS FULLY ASSEMBLED AS SHOWN. FINAL ASSEMBLY REQUIRES INDIVIDUAL COMPONENTS OR SUB-ASSEMBLIES LISTED IN THE PARTS LIST AND AVAILABLE SEPARATELY FROM TE. CONSULT INDIVIDUAL CUSTOMER DRAWINGS FOR PART RELEASE STATUS.
- 5 VALIDATED CABLE / SUBCOMPONENT COMBINATION
- 6. MATES WITH Ag SHIELD HEADERS SHOWN ON TE DRAWING 2103124
- 7. NOTE DELETED



1	1	1	1	1	1	1	1	1	1	1	1	1	1	1	1	1	1	1	1	2103013-2	SEAL RETAINER, CABLE, SIZE 2	10
																				2103013-1	SEAL RETAINER, CABLE, SIZE 1	10
																				2103155-3	COLLET, SIZE 3	9
1	1	1	1	1																2103155-2	COLLET, SIZE 2	
																				2103155-1	COLLET, SIZE 1	9
																				2103154-3	SEAL, CABLE, SIZE 3	8
1	1	1	1	1																2103154-2	SEAL, CABLE SIZE 2	
																				2103154-1	SEAL, CABLE, SIZE 1	8
1	1	1	1	1	1	1	1	1	1	1	1	1	1	1	1	1	1	1	1	2103153-1	SPACER	7
1	1	1	1	1	1	1	1	1	1	1	1	1	1	1	1	1	1	1	1	1587724-2	FERRULE, OUTER, SIZE B	6
																				1587724-3	FERRULE, OUTER, SIZE C	6
1	1	1	1	1	1	1	1	1	1	1	1	1	1	1	1	1	1	1	1	1587723-2	FERRULE, INNER, SIZE B	5
																				1587723-3	FERRULE, INNER, SIZE C	5
2	2	2	2	2	2	2	2	2	2	2	2	2	2	2	2	2	2	2	2	1-2103157-2	SHIELD, PLUG, Ag, SIZE 2	4
																				1-2103157-1	SHIELD, PLUG, Ag, SIZE 1	4
																				1-968851-3	MCP 2.8 TERMINAL FEMALE, Ag, >1.0-2.5mm ²	3
2	2	2	2	2																1-968853-3	MCP 2.8 TERMINAL FEMALE, Ag, >2.5-4.0mm ²	3
1	1	1	1	1	1	1	1	1	1	1	1	1	1	1	1	1	1	1	1	1587985-1	INNER HOUSING, SUBASSY, SHUNTED	2
1																				4-2103015-6	PLUG SUBASSY, KEY F, FINGER LATCH, WITH CPA	1
	1																			4-2103015-5	PLUG SUBASSY, KEY E, FINGER LATCH, WITH CPA	1
		1																		4-2103015-4	PLUG SUBASSY, KEY D, FINGER LATCH, WITH CPA	1
			1																	4-2103015-2	PLUG SUBASSY, KEY B, FINGER LATCH, WITH CPA	1
				1																4-2103015-1	PLUG SUBASSY, KEY A, FINGER LATCH, WITH CPA	1

F	E	D	B	A	F	E	D	B	A	F	E	D	B	A	F	E	D	B	A	ASSEMBLY INDEX	DESCRIPTION	ITEM NO	
3-2103437-6	3-2103437-5	3-2103437-4	3-2103437-2	3-2103437-1	2-2103437-6	2-2103437-5	2-2103437-4	2-2103437-2	2-2103437-1	1-2103437-6	1-2103437-5	1-2103437-4	1-2103437-2	1-2103437-1	2103437-6	2103437-5	2103437-4	2103437-2	2103437-1				
																					REFERENCE NUMBER 4		
																					← THESE NUMBERS ARE FOR REFERENCE PURPOSE ONLY AND ARE NOT FOR SALE		

THIS DRAWING IS A CONTROLLED DOCUMENT.

DIMENSIONS: min. TOLERANCES UNLESS OTHERWISE SPECIFIED: 0.50. 2. PLC H. 3. PLC H. 4. PLC ANGLES FINISH #1*

MATERIAL: FINISH:

DWN	CHK	APVD	PRODUCT SPEC	APPLICATION SPEC	WEIGHT	CUSTOMER DRAWING
D. RHEIN	D. RHEIN	A. GUANCO	108-32020	114-13305	-	

TE Connectivity
PLUG ASSEMBLY, SHUNTED HVIL, HVA280-2PHM, REFERENCE DRAWING

SIZE: A1 CAGE CODE: 00779 DRAWING NO: C=2103437 RESTRICTED TO: A4

SCALE: 2:1 SHEET 1 OF 1 REV: A4