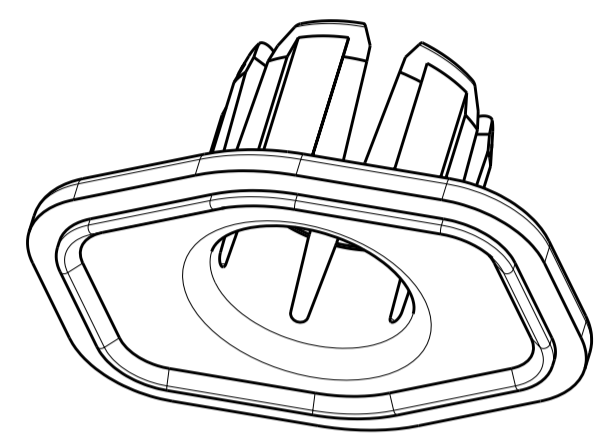
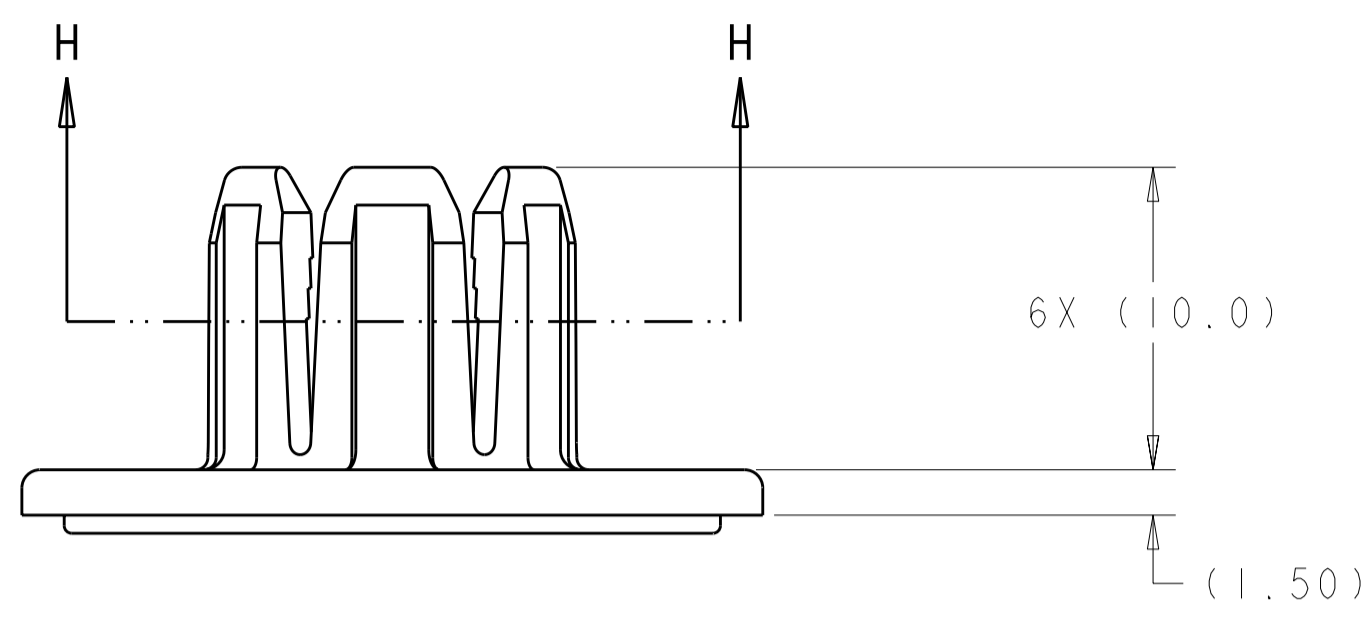
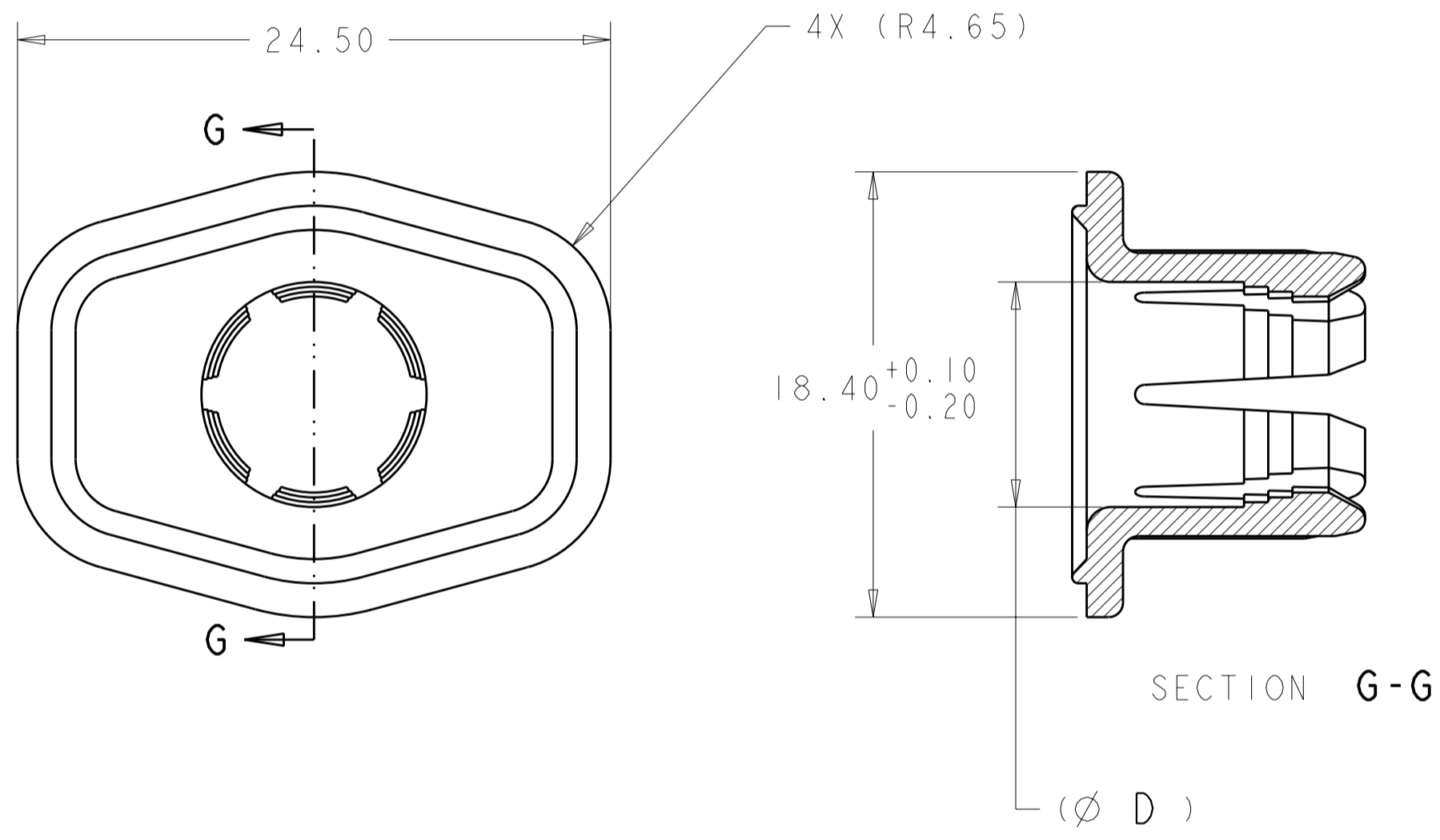


THIS DRAWING IS UNPUBLISHED. RELEASED FOR PUBLICATION 20
 © COPYRIGHT 20 BY TYCO ELECTRONICS CORPORATION ALL RIGHTS RESERVED.

LOC	DIST	REVISIONS			
P	LTR	DESCRIPTION	DATE	DWN	APVD
	A	ECR-12-002035	06FEB2012	DS	TD

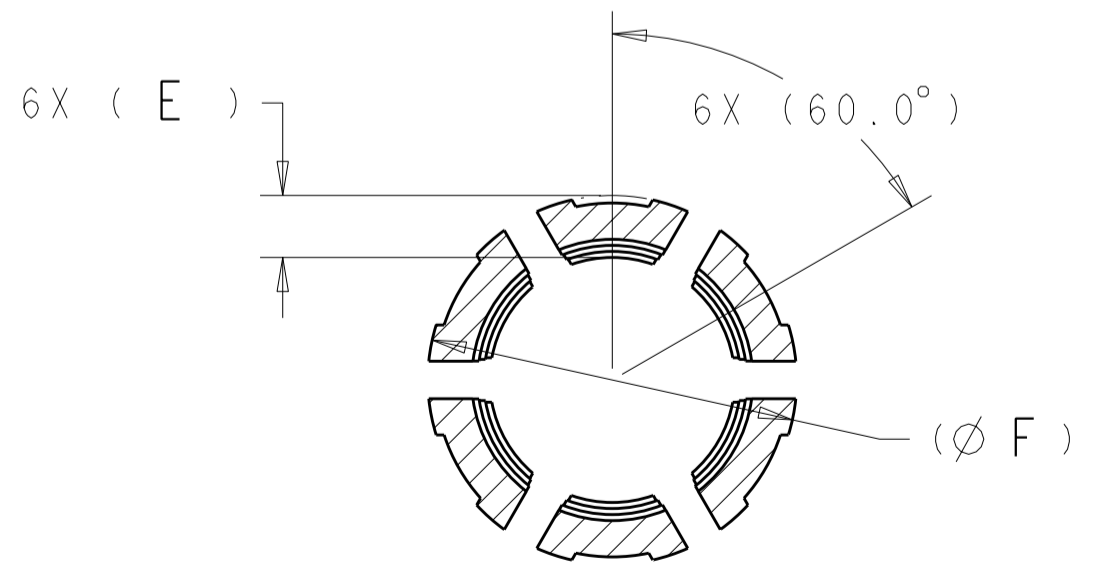


SCALE 3:1



SECTION G-G

- 1 MATERIAL:
TYPE: PA66 35%GF
COLOR: SEE TABLE
- 2. PART MUST BE FREE OF EXCESSIVE FLASH, MIS-MATCH, SINK MARKS, OR OTHER VISUAL IMPERFECTIONS THAT MAY AFFECT PRODUCT FIT OR FUNCTION
- 3 NOTE DELETED



SECTION H-H

(12.20)	(2.35)	(9.30)	1.12	RED	8.10 - 8.70	A	2103189-2
(12.20)	(2.05)	(9.30)	1.09	DARK GRAY	8.70 - 9.30	A	2103189-1
F	E	D	WEIGHT (g)	COLOR	CABLE DIA	REV	PART NO

THIS DRAWING IS A CONTROLLED DOCUMENT. DIMENSIONING AND TOLERANCING PER ASME Y14.5M-2009

DWN: T. DEWITTE 18FEB2011
 CHK: T. DEWITTE 22FEB2011
 APVD: T. DEWITTE 22FEB2011

STE TE Connectivity

NAME: COLLET, HVA280

SIZE: A200779 CAGE CODE: C-2103189 DRAWING NO: 2103189

RESTRICTED TO: -

MATERIAL: -

TOLERANCES UNLESS OTHERWISE SPECIFIED:
 0 PLC ±0.13
 1 PLC ±0.13
 2 PLC ±0.1
 3 PLC ±0.05
 4 PLC ±0.0001
 ANGLES ±1
 FINISH -

PRODUCT SPEC: -
 APPLICATION SPEC: -
 WEIGHT: SEE TABLE
 CUSTOMER DRAWING

SCALE: 4:1 SHEET: 1 OF 1 REV: A