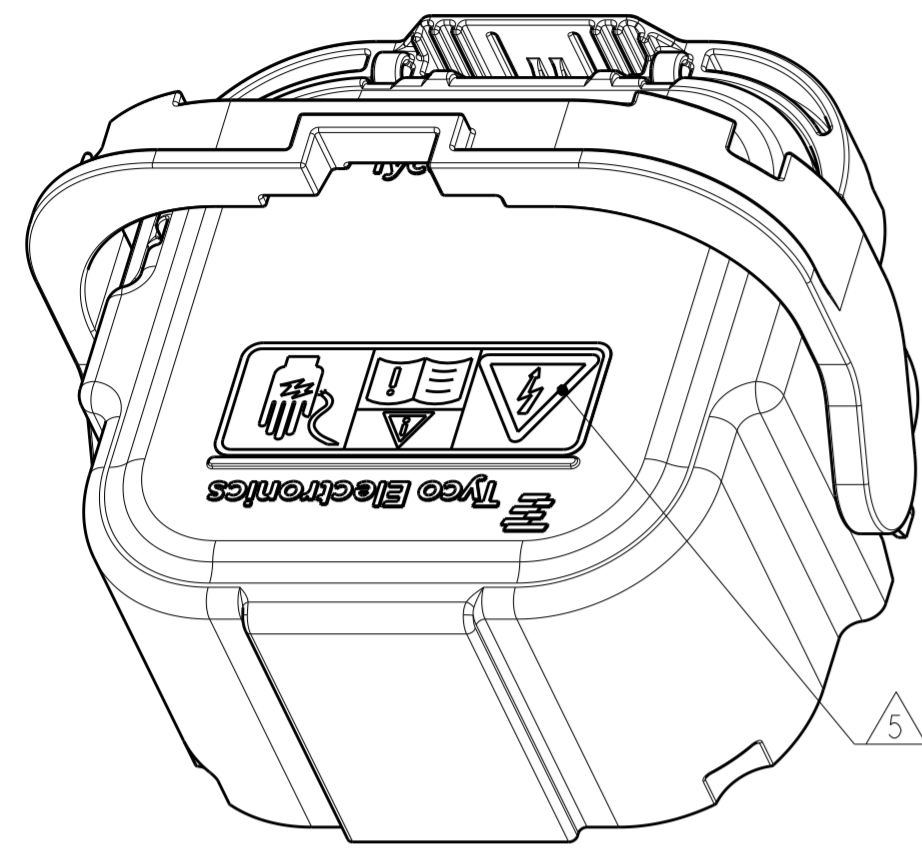
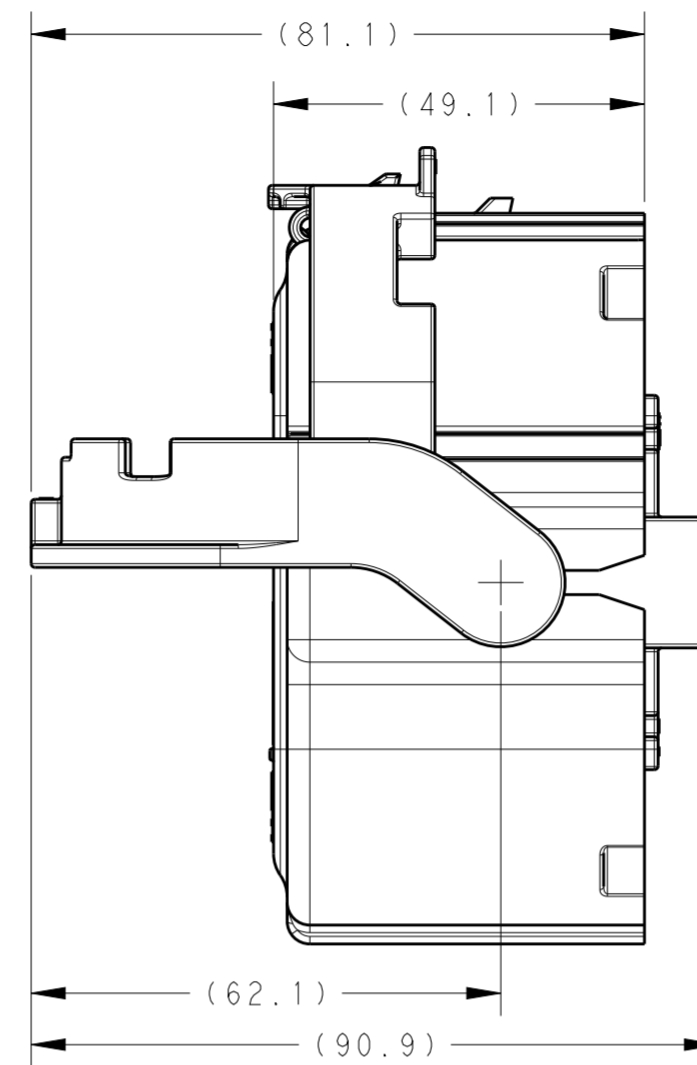
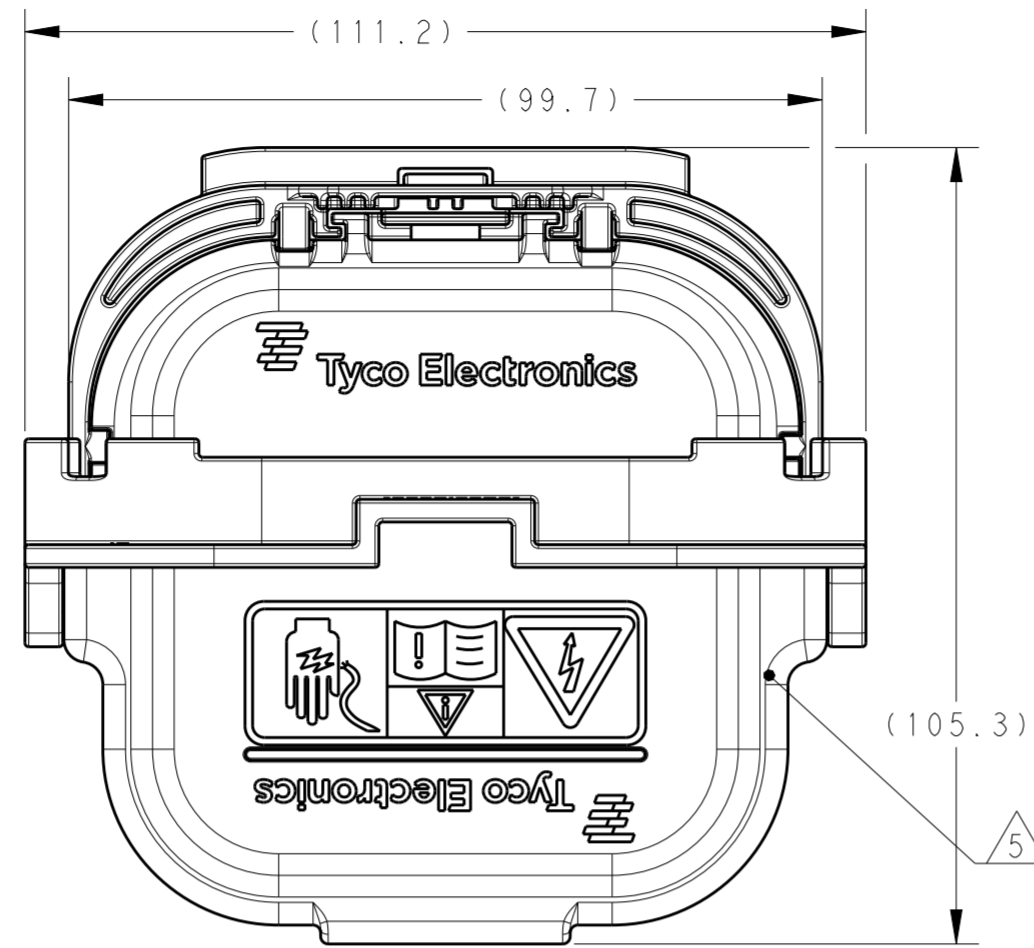


REVISIONS				
P	LTR	DESCRIPTION	DATE	APVD
D		REVISED PER ECO-13-011781	22JUL2013	DD JS
E		REVISED PER ECO-13-017499	21FEB2014	DD JS

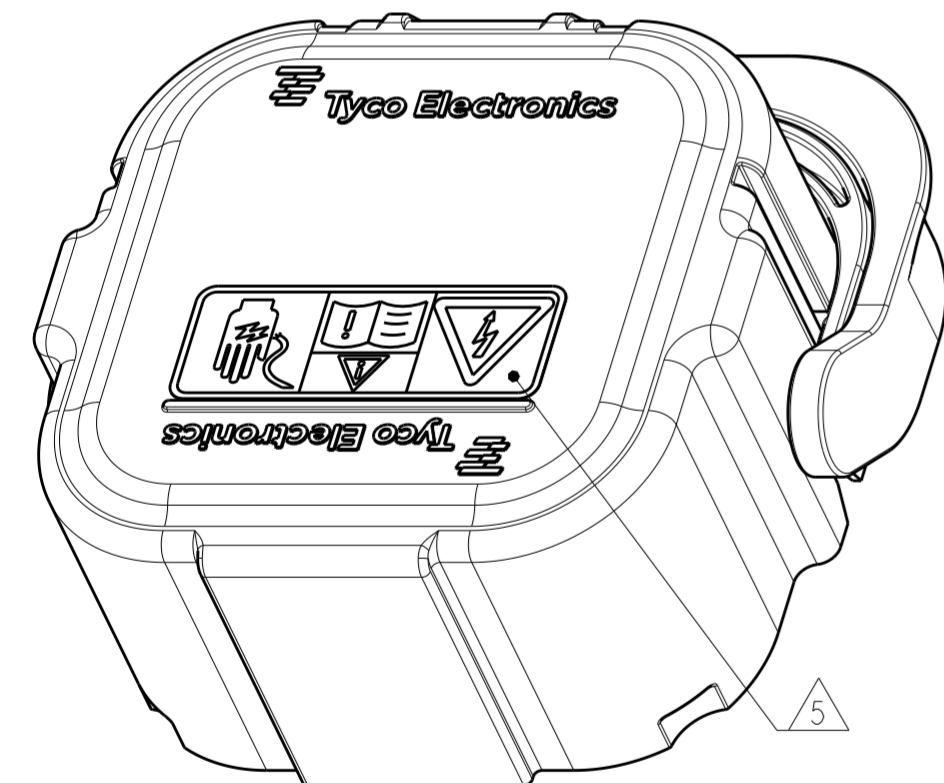
LEVER IN PRE-STAGE POSITION



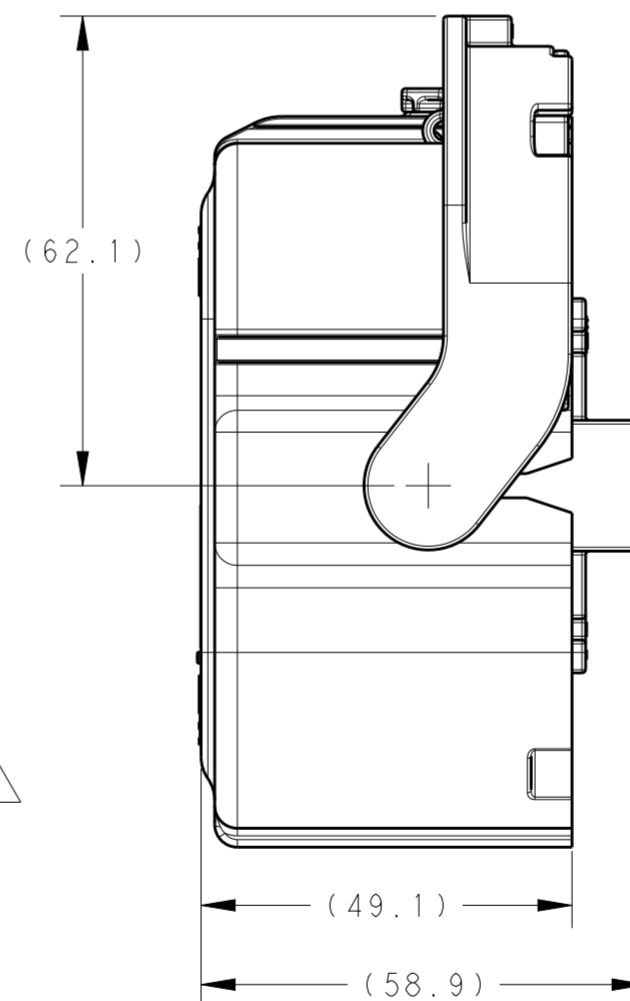
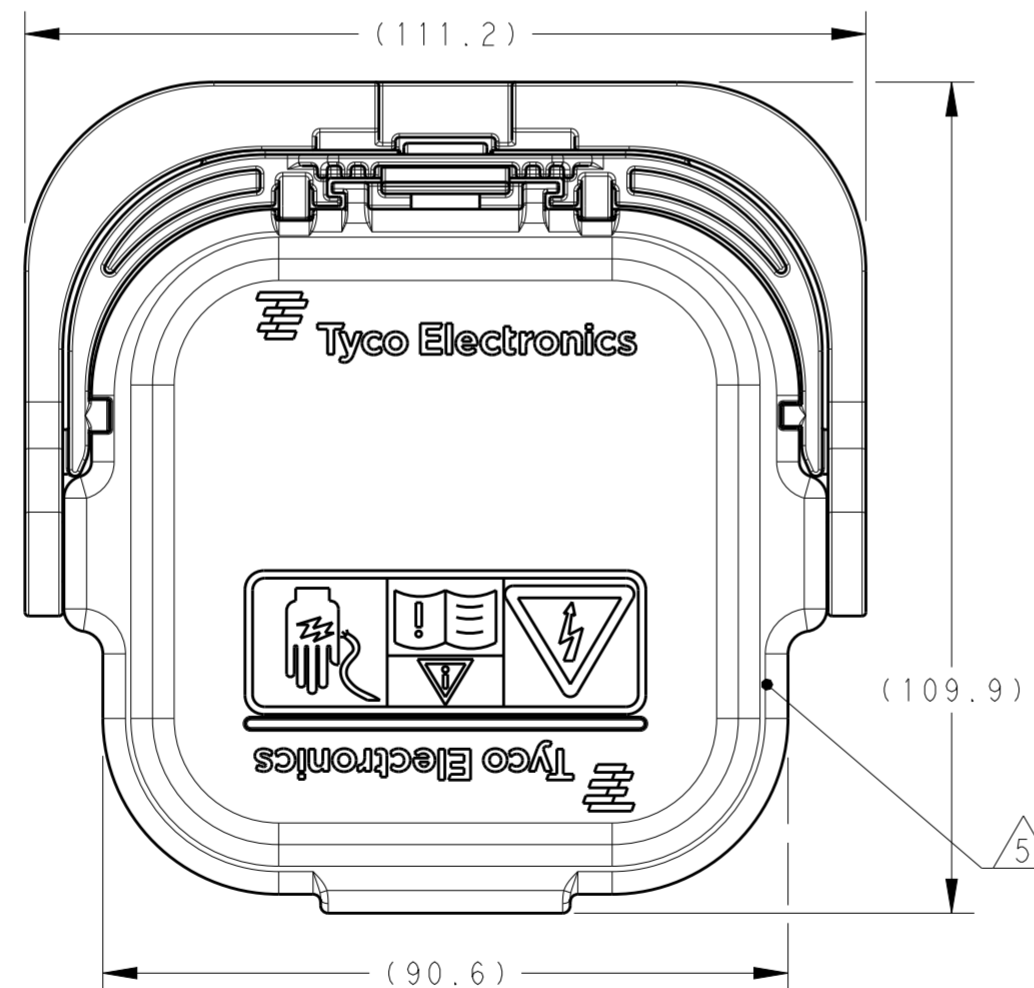
ISOMETRIC VIEW
SCALE 1:1



LEVER IN LOCKED POSITION



ISOMETRIC VIEW
SCALE 1:1

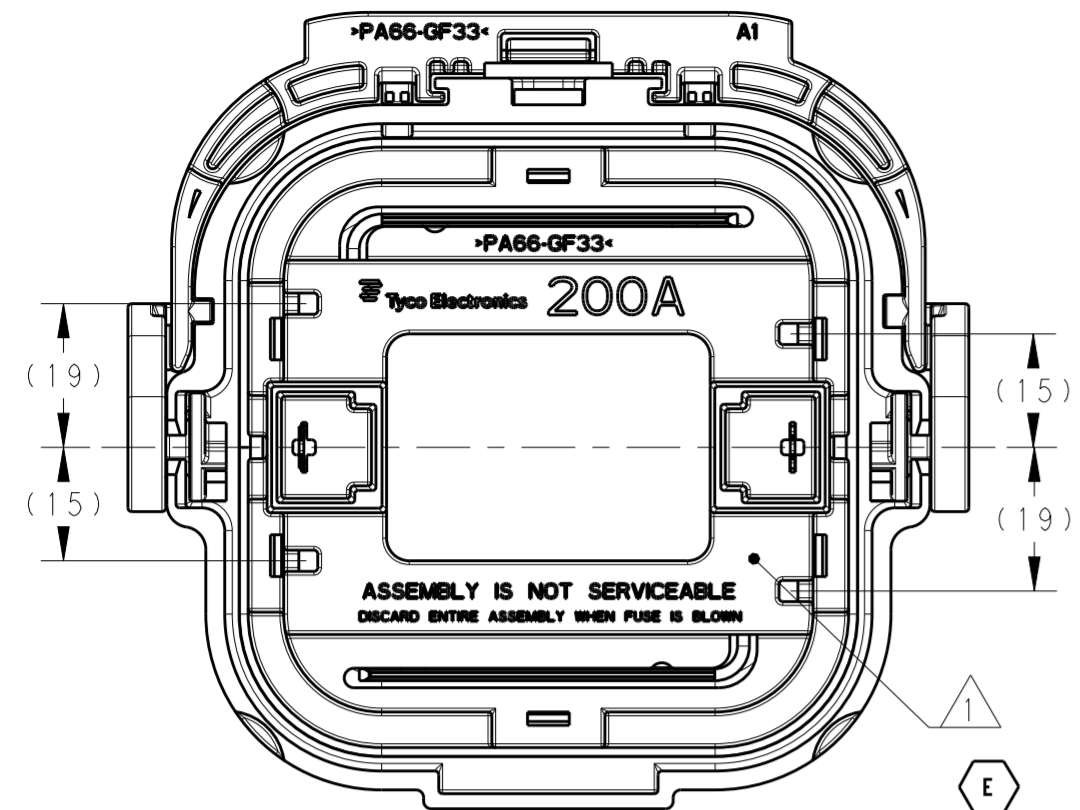


E	NATURAL/OFF-WHITE	525.60	250A (EV)	2-2103172-9
E	NATURAL/OFF-WHITE	525.60	200A (EV)	2-2103172-8
	NATURAL/OFF-WHITE	261.25	SHUNT	2-2103172-7
E	NATURAL/OFF-WHITE	525.60	350A (EV)	2-2103172-2
	NATURAL/OFF-WHITE	525.60	250A	1-2103172-9
	NATURAL/OFF-WHITE	525.60	200A	1-2103172-8
	BLACK	261.25	SHUNT	1-2103172-7
	NATURAL/OFF-WHITE	525.60	350A	1-2103172-2
	BLACK	525.60	350A	1-2103172-1
	BLACK	525.60	250A	2103172-9
	BLACK	525.60	200A	2103172-8
INNER LEVER COLOR		PART WEIGHT(g)	FUSE RATING	PART NUMBER

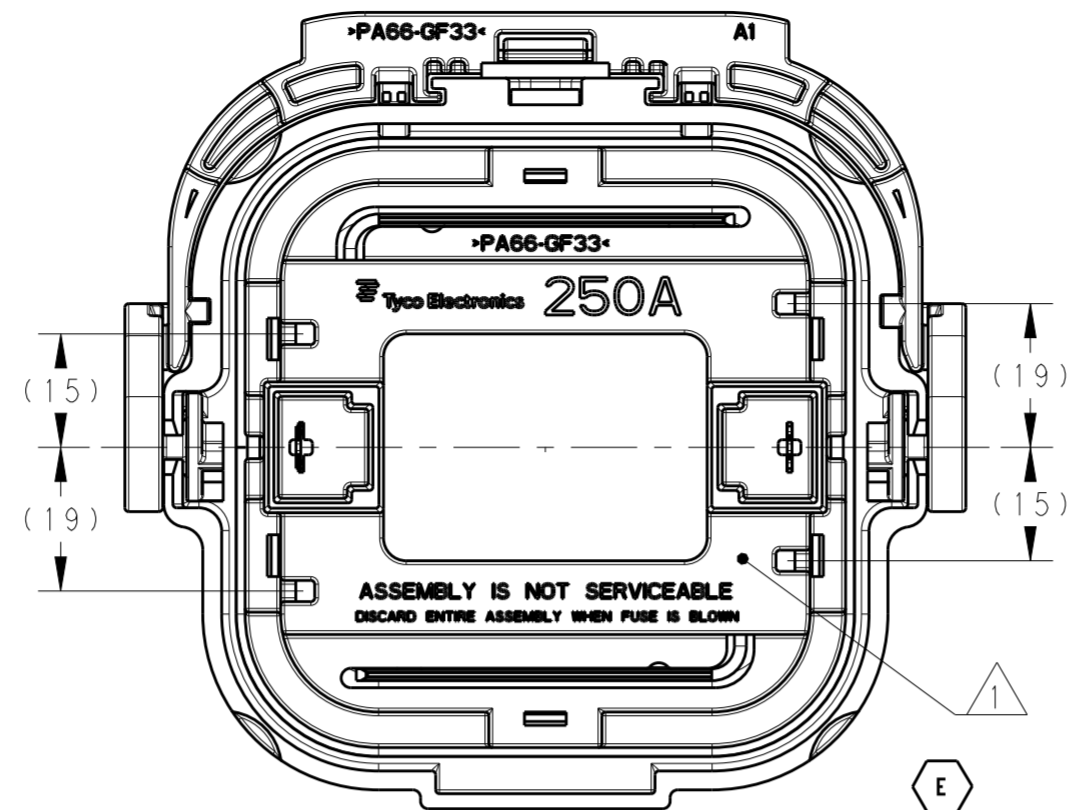
- 1 INNER HOUSING MAY BE ASSEMBLED ROTATED 180° FROM AS SHOWN
- 2 ASSEMBLY / WORK INSTRUCTIONS: 408-10432
- 3 NOTE DELETED
- 4 SEE SHEET 2 FOR FUSE RATING MARKINGS AND KEYING CONFIGURATIONS
- 5 IMAGE FOR REFERENCE ONLY, SHOWS ORIENTATION

THIS DRAWING IS A CONTROLLED DOCUMENT. DIMENSIONING AND TOLERANCING PER ASME Y14.5M-2009		DWN A BOYER 04JAN2011	TE Connectivity	
DIMENSIONS: mm		CHK A BOYER 04JAN2011		
TOLERANCES UNLESS OTHERWISE SPECIFIED:		APVD J BOLEWITZ 04JAN2011	NAME PLUG ASSEMBLY MANUAL SERVICE DISCONNECT	
0 PLC ±		PRODUCT SPEC 108-127000	SIZE CAGE CODE DRAWING NO RESTRICTED TO	
1 PLC ±		APPLICATION SPEC	A200779 C-2103172	
2 PLC ±		WEIGHT SEE TABLE	SCALE 1:1 SHEET 1 OF 2 REV E	
3 PLC ±		Customer Drawing		
4 PLC ±				
ANGLES ±				
FINISH				

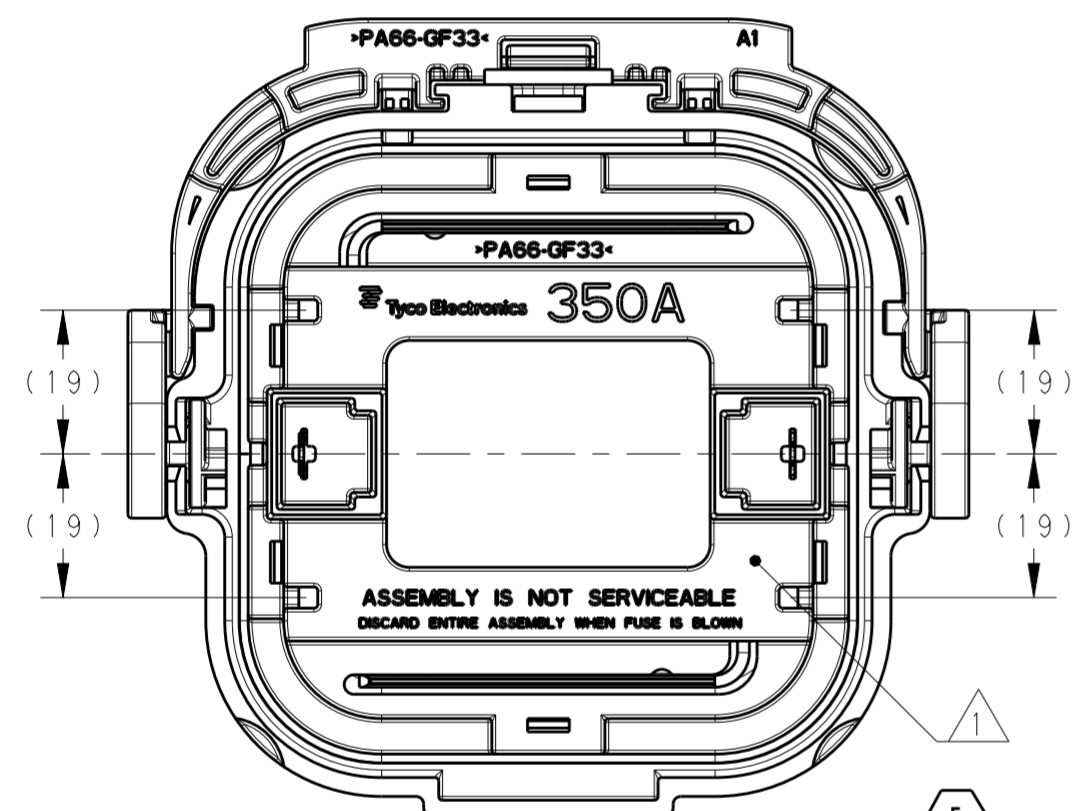
REVISIONS				
P	LTR	DESCRIPTION	DATE	APVD
-		SEE SHEET 1	-	-



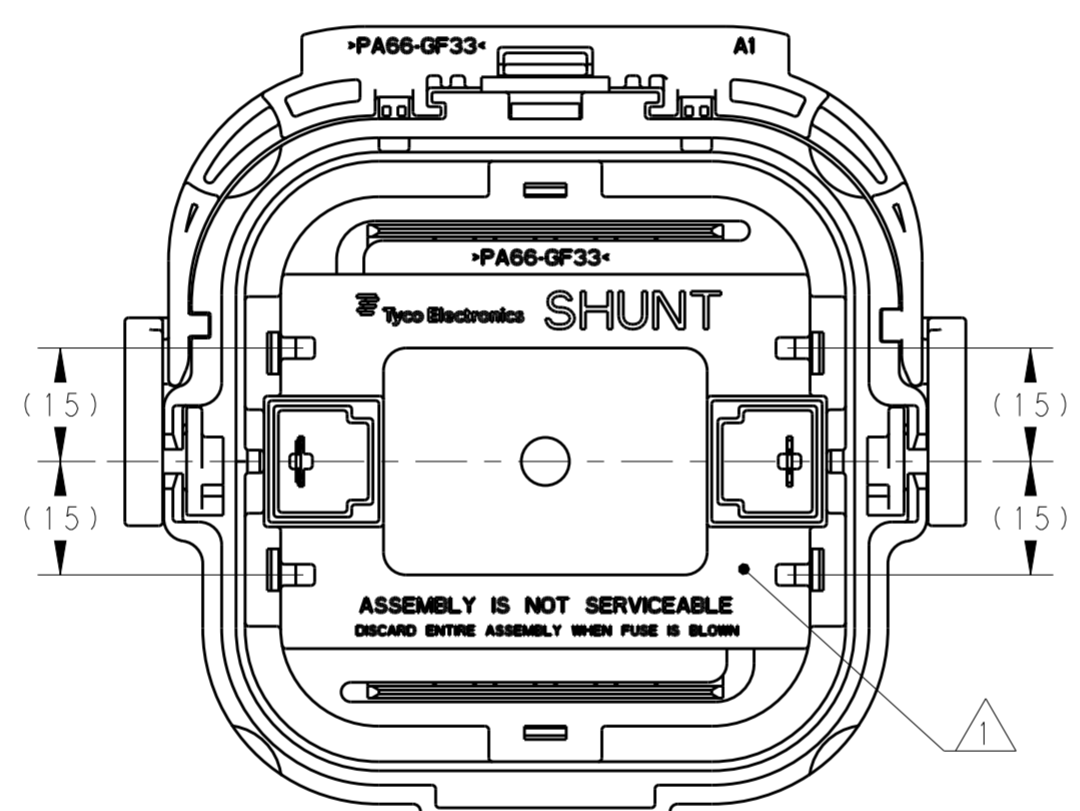
2103172-8, 1-2103172-8 & 2-2103172-8
 FUSE RATING: 200A




2103172-9, 1-2103172-9 & 2-2103172-9
 FUSE RATING: 250A



1-2103172-1, 1-2103172-2 & 2-2103172-2
 FUSE RATING: 350A



1-2103172-7 & 2-2103172-7
 SHUNT

THIS DRAWING IS A CONTROLLED DOCUMENT. DIMENSIONING AND TOLERANCING PER ASME Y14.5M-2009		DWN A BOYER 04JAN2011	 TE Connectivity	NAME		
DIMENSIONS: mm		CHK A BOYER 04JAN2011		PLUG ASSEMBLY MANUAL SERVICE DISCONNECT		
TOLERANCES UNLESS OTHERWISE SPECIFIED:		APVD J BOLEWITZ 04JAN2011		SIZE	CAGE CODE	DRAWING NO
0 PLC ± 1 PLC ± 2 PLC ± 3 PLC ± 4 PLC ± ANGLES ± FINISH -		PRODUCT SPEC 108-127000		A200779	C-2103172	RESTRICTED TO
MATERIAL	-	WEIGHT	SEE TABLE	SCALE	1:1	
		Customer Drawing	SHEET	2	OF 2	
			REV	E		